

Job Name: 25-4299 - Seneca High School  
 Job Location: Louisville, KY  
 Contractor: Dan Cristiani Excavating Co. Inc.

Plant: 100  
 2/16/2026 3:52:26 PM

Tech: J. Horsley  
 PC: J. Jarvis



**Structure ID: G3**

**P2 BX060060-08LD08**

**BX FLAT LID 8"W w/24" Hole F/F**

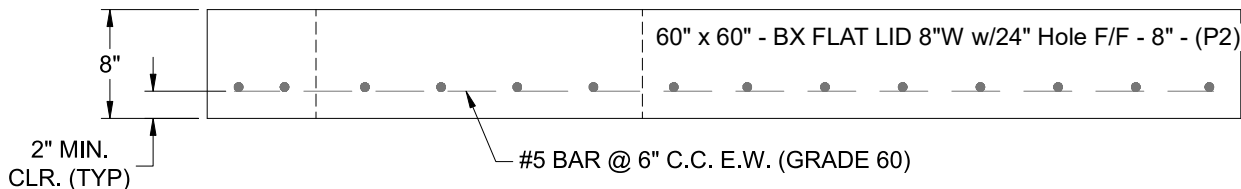
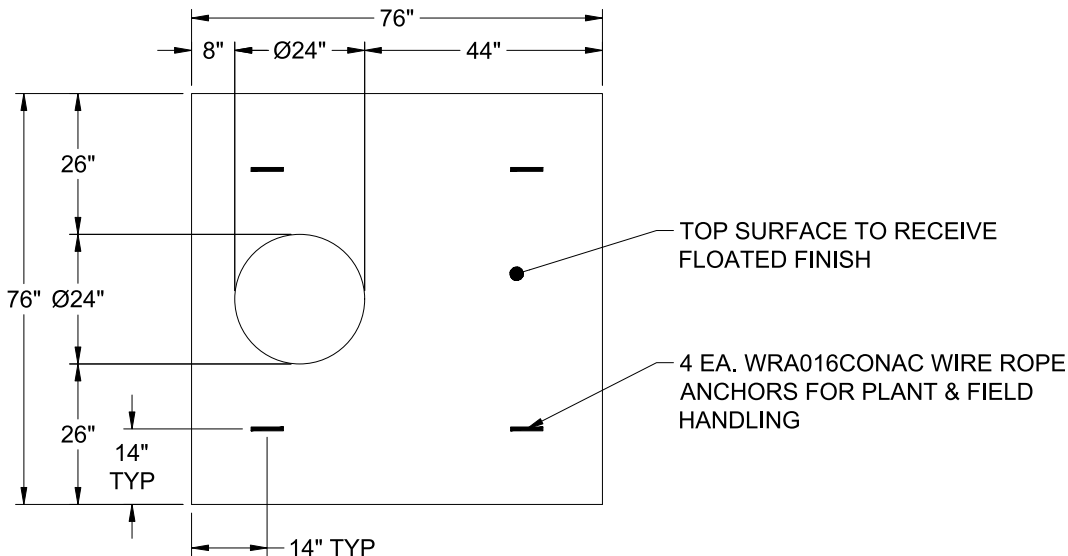
- P3) 24" - CASTING HEIGHT - 7"
- P2) 60" x 60" - BX FLAT LID 8"W w/24" Hole F/F - 8"
- P1) 60" x 60" - BOX BASE 8inW, 8inF, Variable Ht F/n - 48"
- 1) SECONDARY POUR
- 1) 60" x 60" - Conseal CS-102 1.00"
- 2) Hole - 44
- 1) Hole - 24
- 5) MH Step ML-10-TDS-NCR - 10"

0 lb  
 3574 lb  
 10200 lb  
 0 lb  
 0 lb  
 0 lb  
 0 lb  
 0 lb  
 -----  
 13774 lb

Structure Total:

Structure Notes:

1. PER LOUISVILLE MSD / ASTM C-913 SPECIFICATIONS
2. CONCRETE: 4,000 PSI AT 28 DAYS
3. REINFORCEMENT: #5 BAR @ 6" C.C. E.W. (GRADE 60) - 2" MIN. REBAR CLEARANCE (TYP)
4. HOE MC-420 FRAME & COVER "STORM LOU-MSD" SUPPLIED BY OTHERS
5. LIFTERS: 4 EA. WRA016 CONAC WIRE ROPE ANCHORS FOR PLANT & FIELD HANDLING
6. TOP SURFACE TO RECEIVE FLOATED FINISH



Coating (Int): Coating (Ext):	Seam Up: Flat Seam Dn: Flat	Wall Thickness: 8"	Height (Ext): 8"	Weight (Net): 3574 lb Volume (Net): 0.91cu.yd
----------------------------------	--------------------------------	--------------------	------------------	--