

**Job Name: 25-4299 - Seneca High School**  
**Job Location: Louisville, KY**  
**Contractor: Dan Cristiani Excavating Co. Inc.**

PC: J. Jarvis  
 TECH: J. Horsley  
 Plant: 100

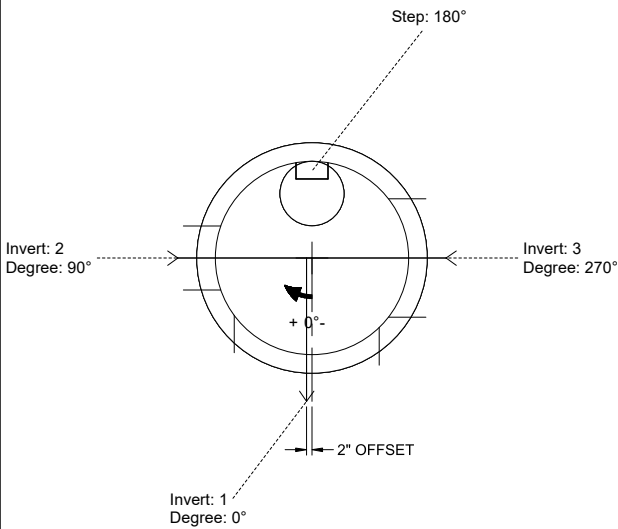


Structure ID: **G2**  
 Spec: MSD Rim: 485.2' Sump: 4.5" Floor (Bot): 474.808'  
 Type: MH TYPE 1 Invert: 475.85' Floor (Top): 475.475' Overall Height: 10.333'  
 Size: 72" Rim to Invert: 9.35' Floor Height: 8" Slack: 0.7"

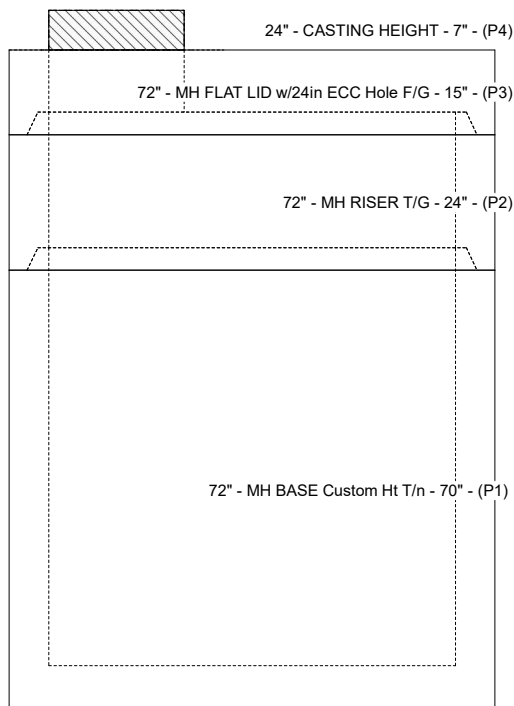
- Structure Notes:**
- PER LOUISVILLE MSD / ASTM C-478 SPECIFICATIONS
  - CONCRETE: 4,000 PSI AT 28 DAYS
  - REINFORCEMENT:
    - FLAT LID TOP MAT: #4 BAR @ 18" C.C. E.W. (GRADE 60)
    - FLAT LID BOTTOM MAT: #4 BAR @ 9" C.C. E.W. (GRADE 60)
    - BASE & RISER: PER ASTM A615
  - NO STORM INVERT
  - STEPS AT 180 DEGREES
  - HOE MC-420 FRAME & COVER "STORM LOU-MSD" SUPPLIED BY OTHERS
  - INVERT 1 OFFSET 2" FROM CENTER

**STRUCTURE SUMMARY:**

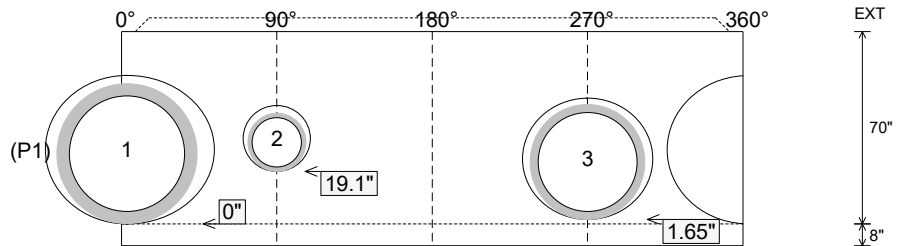
P4) 24" - CASTING HEIGHT - 7"	0 lb
P3) 72" - MH FLAT LID w/24in ECC Hole F/G - 15"	5098 lb
P2) 72" - MH RISER T/G - 24"	3499 lb
P1) 72" - MH BASE Custom Ht T/n - 70"	11392 lb
2) 72" - Conseal CS-102 1.00"	0 lb
1) Hole - 54	0 lb
1) Hole - 24	0 lb
1) Hole - 44	0 lb
7) MH Step ML-10-TDS-NCR - 10"	0 lb
<b>Structure Total:</b>	<b>19988 lb</b>



Position	Elev	Angle	Pipe	Pipe OD	Hole	Connector	Up (")	Ref
Rim	485.2'							
Reducer								
Invert 1	475.85'	0°	42" RCP B WALL	51"	54"	Hole 54	0"	P1
Invert 2	477.2'	90°	18" HDPE	21.2"	24"	Hole 24	19.1"	P1
Invert 3	475.85'	270°	36" HDPE	41.7"	44"	Hole 44	1.65"	P1
Invert 4								
Invert 5								
Invert 6								
Invert 7								
Invert 8								



**Cast (Int. Dim.) - Interior Dimensions**



Submittal Drawing  
 2/16/2026 1:45:48 PM

SUBMITTAL  
 APPROVED BY: