

Job Name: 25-4299 - Seneca High School
Job Location: Louisville, KY
Contractor: Dan Cristiani Excavating Co. Inc.

PC: J. Jarvis
 TECH: J. Horsley
 Plant: 100



Structure ID: **G10**
 Spec: MSD Rim: 485.1' Sump: 0" Floor (Bot): 480.833'
 Type: CI DOUBLE Invert: 481.5' Floor (Top): 481.5' Overall Height: 4.25'
 Size: 24" x 36" Rim to Invert: 3.6' Floor Height: 8" Slack: 0.2"

- Structure Notes:**
- PER LOUISVILLE MSD / ASTM C-913 SPECIFICATIONS
 - CONCRETE: 4,000 PSI AT 28 DAYS
 - REINFORCEMENT: #5 BAR @ 12" C.C. E.W. (GRADE 60)
 - NO STORM INVERT
 - NO STEPS
 - HOE 470 FRAME, GRATE, & CURB HOOD SUPPLIED BY OTHERS

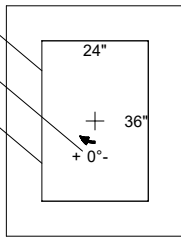
STRUCTURE SUMMARY:

P2) 24" x 36" - CASTING HEIGHT - 4"
 P1) 24" x 36" - BOX BASE 8inW, 8inF, Variable Ht F/n - 39"
 1) 24" x 36" - Conseal CS-102 1.00"
 1) Hole - 16

0 lb
 5200 lb
 0 lb
 0 lb

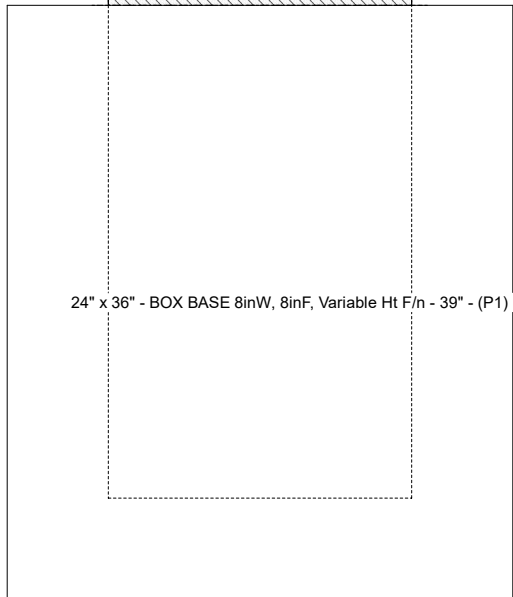
 Structure Total: 5200 lb

Invert: 1
 Degree: 130°

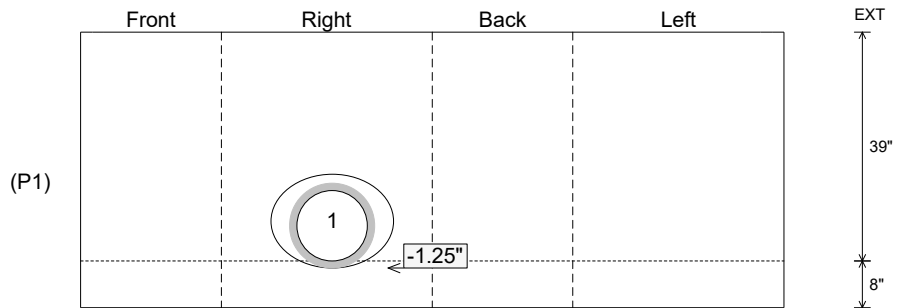


Position	Elev	Angle	Pipe	Pipe OD	Hole	Connector	Up (L)	Ref
Rim	485.1'							
Reducer								
Invert 1	481.5'	130°	12" HDPE	14.5"	16"	Hole 16	-1.25"	P1
Invert 2								
Invert 3								
Invert 4								
Invert 5								
Invert 6								
Invert 7								
Invert 8								

24" x 36" - CASTING HEIGHT - 4" - (P2)



Cast (Int. Dim.) - Interior Dimensions



Submittal Drawing
 2/16/2026 1:45:55 PM

SUBMITTAL
 APPROVED BY: