

**Job Name: 25-4299 - Seneca High School**  
**Job Location: Louisville, KY**  
**Contractor: Dan Cristiani Excavating Co. Inc.**

PC: J. Jarvis  
 TECH: J. Horsley  
 Plant: 100



Structure ID: **E4**  
 Spec: MSD  
 Type: CI DOUBLE  
 Size: 48"

Rim: 487.65'  
 Invert: 484.35'  
 Rim to Invert: 3.3'

Sump: 0"  
 Floor (Top): 484.35'  
 Floor Height: 6"

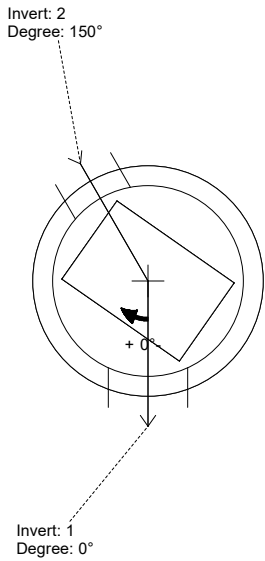
Floor (Bot): 483.85'  
 Overall Height: 3.75'  
 Slack: 0.6"

**Structure Notes:**

1. PER LOUISVILLE MSD / ASTM C-478 SPECIFICATIONS
2. CONCRETE: 4,000 PSI AT 28 DAYS
3. REINFORCEMENT:
  - FLAT LID: #6 BAR @ 4" C.C. E.W. (GRADE 60)
  - BASE: PER ASTM A615
4. NO STORM INVERT
5. NO STEPS
6. HOE 470 FRAME, GRATE, & CURB HOOD SUPPLIED BY OTHERS

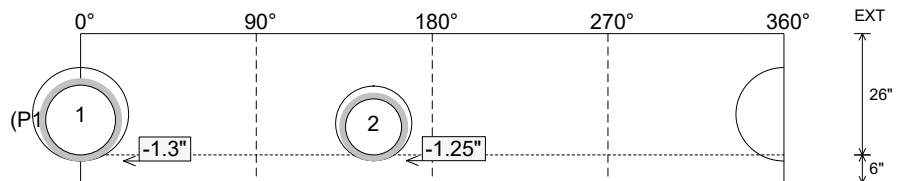
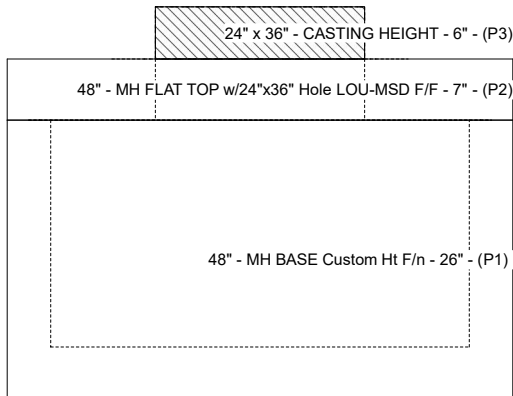
**STRUCTURE SUMMARY:**

P3) 24" x 36" - CASTING HEIGHT - 6"	0 lb
P2) 48" - MH FLAT TOP w/24"x36" Hole LOU-MSD F/F - 7"	1044 lb
P1) 48" - MH BASE Custom Ht F/n - 26"	2926 lb
1) 48" - Conseal CS-102 1.00"	0 lb
1) 24" x 36" - Conseal CS-102 1.00"	0 lb
1) Hole - 20	0 lb
1) Hole - 16	0 lb
<b>Structure Total:</b>	<b>3970 lb</b>



Position	Elev	Angle	Pipe	Pipe OD	Hole	Connector	Up (")	Ref
Rim	487.65'							
Reducer								
Invert 1	484.35'	0°	15" HDPE	17.6"	20"	Hole 20	-1.3"	P1
Invert 2	484.35'	150°	12" HDPE	14.5"	16"	Hole 16	-1.25"	P1
Invert 3								
Invert 4								
Invert 5								
Invert 6								
Invert 7								
Invert 8								

**Cast (Int. Dim.) - Interior Dimensions**



Submittal Drawing  
 2/16/2026 10:13:51 AM

SUBMITTAL  
 APPROVED BY: