

Job Name: 25-4299 - Seneca High School
Job Location: Louisville, KY
Contractor: Dan Cristiani Excavating Co. Inc.

PC: J. Jarvis
 TECH: J. Horsley
 Plant: 100

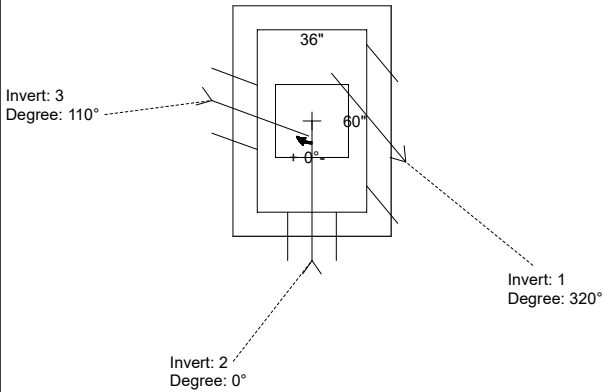


Structure ID: **E1**
 Spec: MSD Rim: 486.6' Sump: 0" Floor (Bot): 482.833'
 Type: CB SINGLE Invert: 483.5' Floor (Top): 483.5' Overall Height: 3.75'
 Size: 36" x 60" Rim to Invert: 3.1' Floor Height: 8" Slack: 0.2'

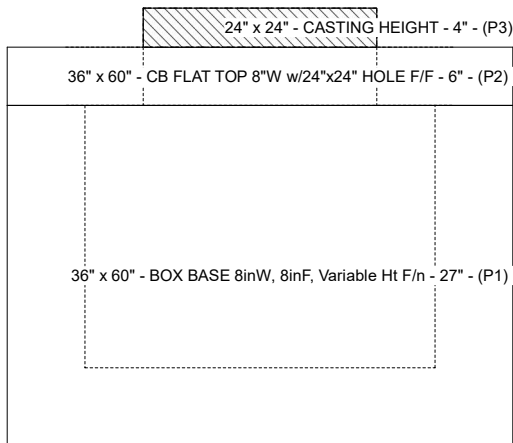
- Structure Notes:**
- PER LOUISVILLE MSD / ASTM C-913 SPECIFICATIONS
 - CONCRETE: 4,000 PSI AT 28 DAYS
 - REINFORCEMENT:
 - FLAT LID: #5 BAR @ 6" C.C. E.W. (GRADE 60)
 - BASE: #5 BAR @ 12" C.C. E.W. (GRADE 60)
 - NO STORM INVERT
 - NO STEPS
 - HOE 280T FRAME & GRATE SUPPLIED BY OTHERS

STRUCTURE SUMMARY:

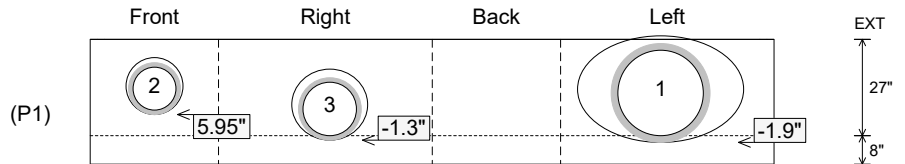
P3) 24" x 24" - CASTING HEIGHT - 4"	0 lb
P2) 36" x 60" - CB FLAT TOP 8"W w/24"x24" HOLE F/F - 6"	1691 lb
P1) 36" x 60" - BOX BASE 8inW, 8inF, Variable Ht F/n - 27"	5624 lb
1) SECONDARY POUR	0 lb
1) 36" x 60" - Conseal CS-102 1.00"	0 lb
1) 24" x 24" - Conseal CS-102 1.00"	0 lb
1) Hole - 30	0 lb
1) Hole - 16	0 lb
1) Hole - 20	0 lb
Structure Total:	7315 lb



Position	Elev	Angle	Pipe	Pipe OD	Hole	Connector	Up (L)	Ref
Rim	486.6'							
Reducer								
Invert 1	483.5'	320°	24" HDPE	27.8"	30"	Hole 30	-1.9"	P1
Invert 2	484.1'	0°	12" HDPE	14.5"	16"	Hole 16	5.95"	P1
Invert 3	483.5'	110°	15" HDPE	17.6"	20"	Hole 20	-1.3"	P1
Invert 4								
Invert 5								
Invert 6								
Invert 7								
Invert 8								



Cast (Int. Dim.) - Interior Dimensions



Submittal Drawing
 2/16/2026 10:13:49 AM

SUBMITTAL
 APPROVED BY: