

Job Name: 25-4299 - Seneca High School
Job Location: Louisville, KY
Contractor: Dan Cristiani Excavating Co. Inc.

PC: J. Jarvis
 TECH: J. Horsley
 Plant: 100



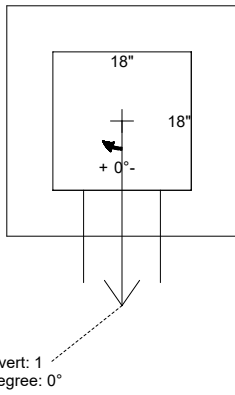
Structure ID: **D3**
 Spec: MSD Rim: 486.35' Sump: 0" Floor (Bot): 484.35'
 Type: Yard Drain Invert: 484.85' Floor (Top): 484.85' Overall Height: 2'
 Size: 18" x 18" Rim to Invert: 1.5' Floor Height: 6" Slack: 0"

- Structure Notes:**
- PER LOUISVILLE MSD / ASTM C-913 SPECIFICATIONS
 - CONCRETE: 4,000 PSI AT 28 DAYS
 - REINFORCEMENT: #5 BAR @ 12" C.C. E.W. (GRADE 60)
 - NO STORM INVERT
 - NO STEPS
 - HOE 165-A FRAME & GRATE SUPPLIED BY OTHERS

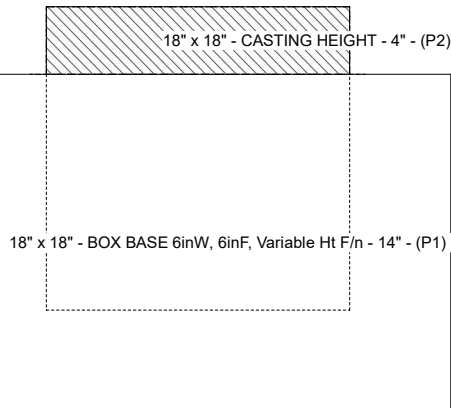
STRUCTURE SUMMARY:

P2) 18" x 18" - CASTING HEIGHT - 4" 0 lb
 P1) 18" x 18" - BOX BASE 6inW, 6inF, Variable Ht F/n - 14" 1090 lb
 1) 18" x 18" - Conseal CS-102 1.00" 0 lb
 1) Hole - 10 0 lb

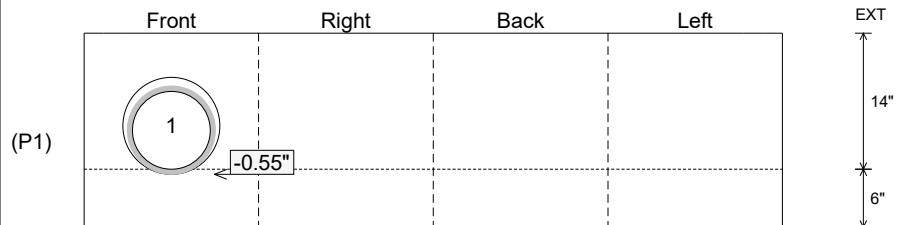
 Structure Total: 1090 lb



| Position | Elev | Angle | Pipe | Pipe OD | Hole | Connector | Up (L) | Ref |
|----------|---------|-------|---------|---------|------|-----------|--------|-----|
| Rim | 486.35' | | | | | | | |
| Reducer | | | | | | | | |
| Invert 1 | 484.85' | 0° | 8" HDPE | 9.1" | 10" | Hole 10 | -0.55" | P1 |
| Invert 2 | | | | | | | | |
| Invert 3 | | | | | | | | |
| Invert 4 | | | | | | | | |
| Invert 5 | | | | | | | | |
| Invert 6 | | | | | | | | |
| Invert 7 | | | | | | | | |
| Invert 8 | | | | | | | | |



Cast (Int. Dim.) - Interior Dimensions



Submittal Drawing
 2/16/2026 8:48:36 AM

SUBMITTAL
 APPROVED BY: