

Job Name: 25-4299 - Seneca High School
Job Location: Louisville, KY
Contractor: Dan Cristiani Excavating Co. Inc.

PC: J. Jarvis
 TECH: J. Horsley
 Plant: 100



Structure ID: **D2**
 Spec: MSD
 Type: Yard Drain
 Size: 48"

Rim: 486.5'
 Invert: 483.5'
 Rim to Invert: 3'

Sump: 0"
 Floor (Top): 483.5'
 Floor Height: 6"

Floor (Bot): 483'
 Overall Height: 3.5'
 Slack: 0"

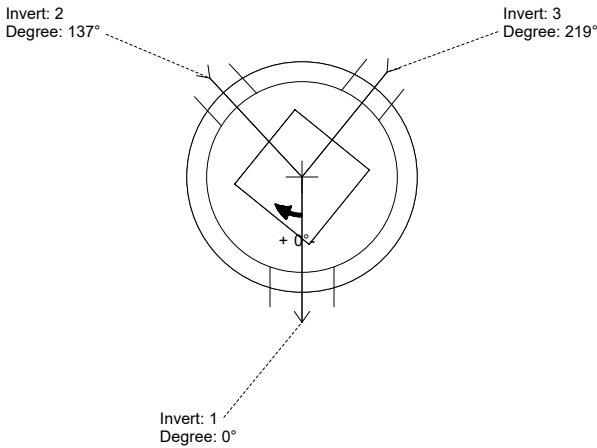
- Structure Notes:**
- PER LOUISVILLE MSD / ASTM C-478 SPECIFICATIONS
 - CONCRETE: 4,000 PSI AT 28 DAYS
 - REINFORCEMENT:
 - FLAT LID: #4 BAR @ 10" C.C. E.W. (GRADE 60)
 - BASE: PER ASTM A615
 - NO STORM INVERT
 - NO STEPS
 - HOE 280T FRAME & GRATE SUPPLIED BY OTHERS

STRUCTURE SUMMARY:

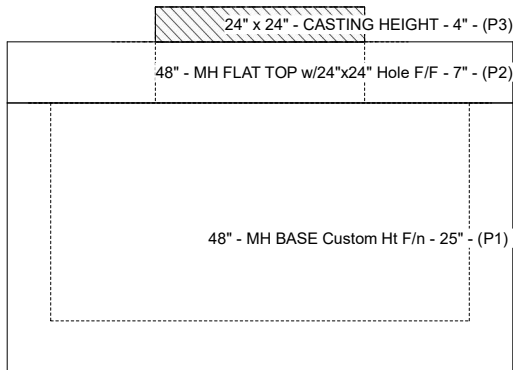
P3) 24" x 24" - CASTING HEIGHT - 4" 0 lb
 P2) 48" - MH FLAT TOP w/24"x24" Hole F/F - 7" 1214 lb
 P1) 48" - MH BASE Custom Ht F/n - 25" 2895 lb

1) 48" - Conseal CS-102 1.00" 0 lb
 1) Hole - 16 0 lb
 2) Hole - 12 0 lb

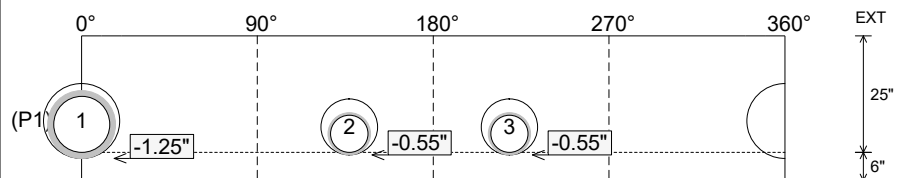
Structure Total: 4109 lb



Position	Elev	Angle	Pipe	Pipe OD	Hole	Connector	Up (L)	Ref
Rim	486.5'							
Reducer								
Invert 1	483.5'	0°	12" HDPE	14.5"	16"	Hole 16	-1.25"	P1
Invert 2	483.5'	137°	8" HDPE	9.1"	12"	Hole 12	-0.55"	P1
Invert 3	483.5'	219°	8" HDPE	9.1"	12"	Hole 12	-0.55"	P1
Invert 4								
Invert 5								
Invert 6								
Invert 7								
Invert 8								



Cast (Int. Dim.) - Interior Dimensions



Submittal Drawing
 2/16/2026 8:48:35 AM

SUBMITTAL
 APPROVED BY: