

**Job Name: 25-4299 - Seneca High School**  
**Job Location: Louisville, KY**  
**Contractor: Dan Cristiani Excavating Co. Inc.**

PC: J. Jarvis  
 TECH: J. Horsley  
 Plant: 100



Structure ID: C7  
 Spec: MSD  
 Type: CB SINGLE  
 Size: 24" x 24"

Rim: 485.1'  
 Invert: 482.15'  
 Rim to Invert: 2.95'

Sump: 0"  
 Floor (Top): 482.15'  
 Floor Height: 8"

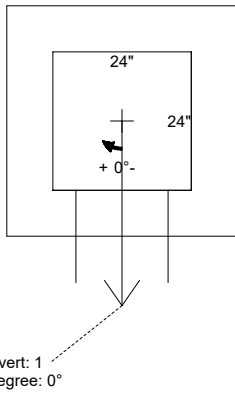
Floor (Bot): 481.483'  
 Overall Height: 3.583'  
 Slack: 0.4"

- Structure Notes:**
1. PER LOUISVILLE MSD / ASTM C-913 SPECIFICATIONS
  2. CONCRETE: 4,000 PSI AT 28 DAYS
  3. REINFORCEMENT: #5 BAR @ 12" C.C. E.W. (GRADE 60)
  4. NO STORM INVERT
  5. NO STEPS
  6. HOE 280T FRAME & GRATE SUPPLIED BY OTHERS

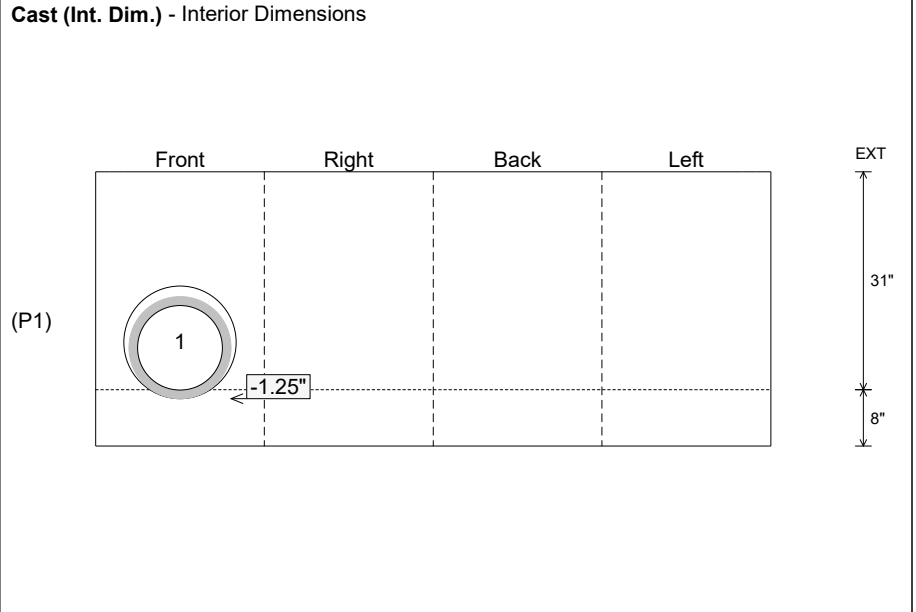
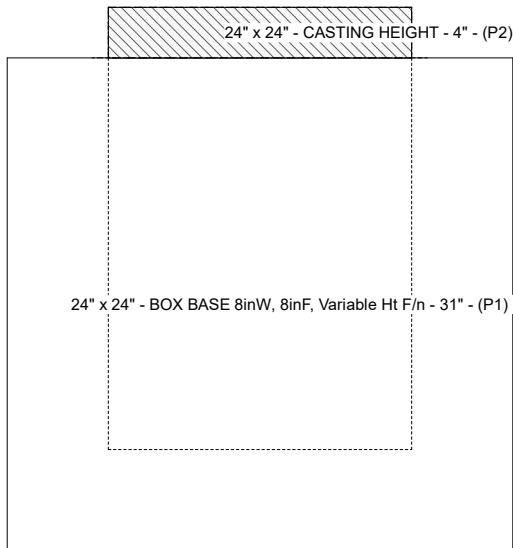
**STRUCTURE SUMMARY:**

P2) 24" x 24" - CASTING HEIGHT - 4"  
 P1) 24" x 24" - BOX BASE 8inW, 8inF, Variable Ht F/n - 31"  
 1) 24" x 24" - Conseal CS-102 1.00"  
 1) Hole - 16

0 lb  
 3603 lb  
 0 lb  
 0 lb  
 -----  
 Structure Total: 3603 lb



Position	Elev	Angle	Pipe	Pipe OD	Hole	Connector	Up ( )	Ref
Rim	485.1'							
Reducer								
Invert 1	482.15'	0°	12" HDPE	14.5"	16"	Hole 16	-1.25"	P1
Invert 2								
Invert 3								
Invert 4								
Invert 5								
Invert 6								
Invert 7								
Invert 8								



Submittal Drawing  
 2/16/2026 8:12:48 AM

SUBMITTAL  
 APPROVED BY: