

Job Name: 25-4299 - Seneca High School
Job Location: Louisville, KY
Contractor: Dan Cristiani Excavating Co. Inc.

PC: J. Jarvis
 TECH: J. Horsley
 Plant: 100



Structure ID: C4
 Spec: MSD
 Type: CB SINGLE
 Size: 48"

Rim: 485.1'
 Invert: 481.95'
 Rim to Invert: 3.15'

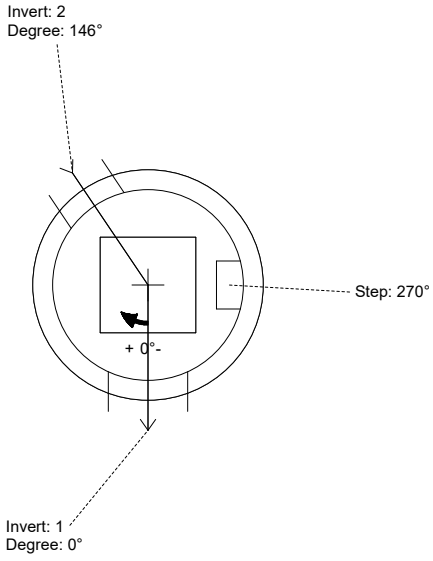
Sump: 0"
 Floor (Top): 481.95'
 Floor Height: 6"

Floor (Bot): 481.45'
 Overall Height: 3.583'
 Slack: 0.8"

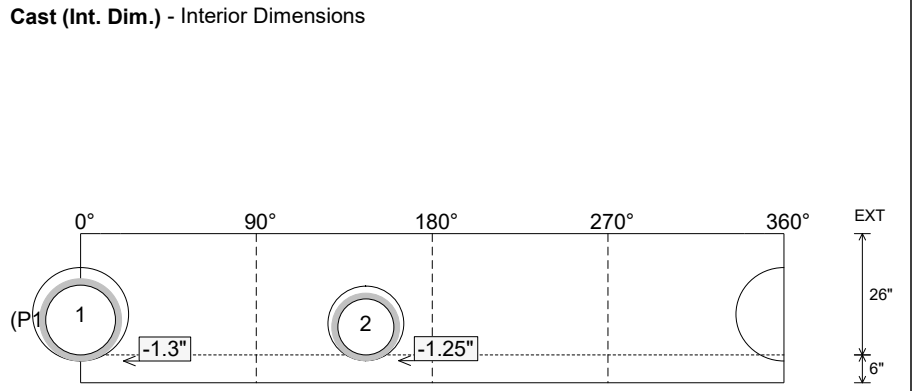
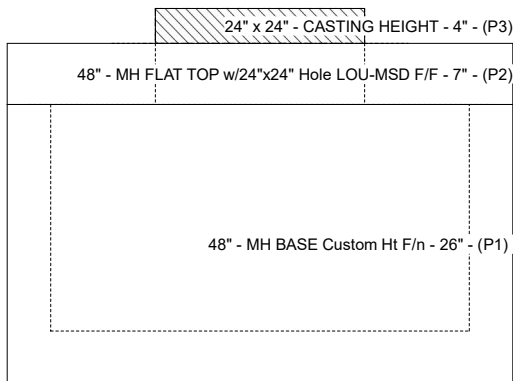
- Structure Notes:**
- PER LOUISVILLE MSD / ASTM C-478 SPECIFICATIONS
 - CONCRETE: 4,000 PSI AT 28 DAYS
 - REINFORCEMENT:
 - FLAT LID: #6 BAR @ 4" C.C. E.W. (GRADE 60)
 - BASE: PER ASTM A615
 - NO STORM INVERT
 - STEPS AT 270 DEGREES
 - HOE 280T FRAME & GRATE SUPPLIED BY OTHERS

STRUCTURE SUMMARY:

P3) 24" x 24" - CASTING HEIGHT - 4"	0 lb
P2) 48" - MH FLAT TOP w/24"x24" Hole LOU-MSD F/F - 7"	1214 lb
P1) 48" - MH BASE Custom Ht F/n - 26"	2926 lb
1) 48" - Conseal CS-102 1.00"	0 lb
1) 24" x 24" - Conseal CS-102 1.00"	0 lb
1) Hole - 20	0 lb
1) Hole - 16	0 lb
2) MH Step ML-10-TDS-NCR - 10"	0 lb
	<hr/>
Structure Total:	4139 lb



Position	Elev	Angle	Pipe	Pipe OD	Hole	Connector	Up (")	Ref
Rim	485.1'							
Reducer								
Invert 1	481.95'	0°	15" HDPE	17.6"	20"	Hole 20	-1.3"	P1
Invert 2	481.95'	146°	12" HDPE	14.5"	16"	Hole 16	-1.25"	P1
Invert 3								
Invert 4								
Invert 5								
Invert 6								
Invert 7								
Invert 8								



Submittal Drawing
 2/16/2026 8:12:45 AM

SUBMITTAL
 APPROVED BY: