

Job Name: 25-4299 - Seneca High School  
 Job Location: Louisville, KY  
 Contractor: Dan Cristiani Excavating Co. Inc.

Plant: 100  
 2/16/2026 8:19:44 AM

Tech: J. Horsley  
 PC: J. Jarvis



**Structure ID: C3**

**P1 BX2424-08BAVF**

**BOX BASE 8inW, 8inF, Variable Ht F/n**

P2) 24" x 24" - CASTING HEIGHT - 4"  
 P1) 24" x 24" - BOX BASE 8inW, 8inF, Variable Ht F/n - 37"  
 1) 24" x 24" - Conseal CS-102 1.00"  
 1) Hole - 24  
 1) Hole - 20

0 lb  
 3815 lb  
 0 lb  
 0 lb  
 0 lb  
 Structure Total: 3815 lb

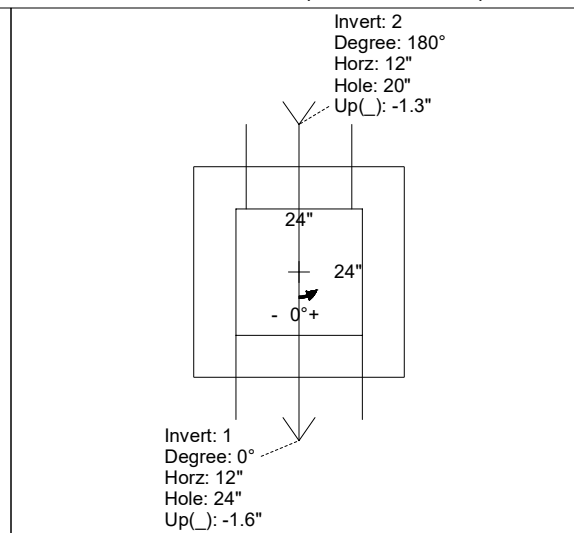
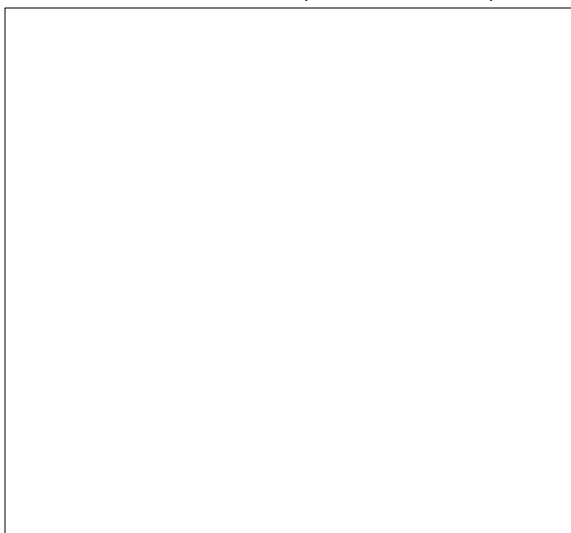
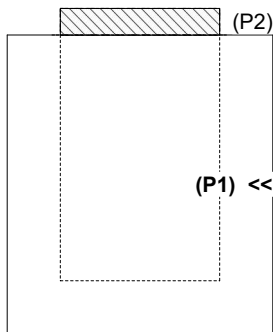
- Structure Notes:**
- PER LOUISVILLE MSD / ASTM C-913 SPECIFICATIONS
  - CONCRETE: 4,000 PSI AT 28 DAYS
  - REINFORCEMENT: #5 BAR @ 12" C.C. E.W. (GRADE 60) - 2" MIN. REBAR CLEARANCE (TYP)
  - NO STORM INVERT
  - NO STEPS
  - HOE 280T FRAME & GRATE SUPPLIED BY OTHERS

Rim: 485.1' Rim to Invert: 3.45' Slack: 0.4" Sump: 0" Step Position:

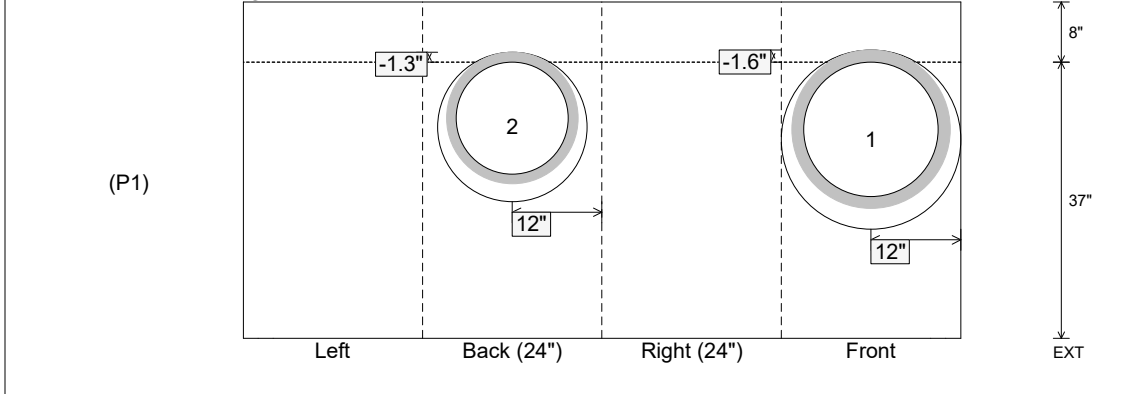
Position	Elev	Angle	Ext. (cw)	Pipe	Pipe OD	Connector	Hole	Horz Size	Up ( )	Offset
Invert 1	481.65'	0°	20"	18" HDPE	21.2"	Hole 24	24"	24"	-1.6"	0"
Invert 2	481.65'	180°	20"	15" HDPE	17.6"	Hole 20	20"	20"	-1.3"	0"
Invert 3										
Invert 4										
Invert 5										
Invert 6										
Invert 7										
Invert 8										

RIGHT-SIDE UP VIEW (int. dimensions)

UPSIDE-DOWN VIEW (int. dimensions)



INSIDE WALL DIMENSIONS



Coating (Int):  
 Coating (Ext):

Seam Up: Flat  
 Seam Dn: n/a

Wall Thickness: 8"  
 Floor Height: 8"

Height (Int): 37"  
 Height (Ext): 45"

Weight (Net): 3815 lb  
 Volume (Net): 0.97cu.yd