

Job Name: 25-4299 - Seneca High School
Job Location: Louisville, KY
Contractor: Dan Cristiani Excavating Co. Inc.

PC: J. Jarvis
 TECH: J. Horsley
 Plant: 100



Structure ID: **C2**
 Spec: MSD
 Type: CB SINGLE
 Size: 48"

Rim: 485.1'
 Invert: 481.1'
 Rim to Invert: 4'

Sump: 0"
 Floor (Top): 481.1'
 Floor Height: 6"

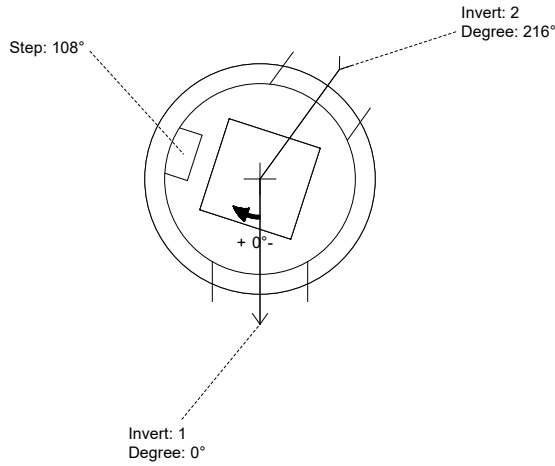
Floor (Bot): 480.6'
 Overall Height: 4.333'
 Slack: 2"

- Structure Notes:**
- PER LOUISVILLE MSD / ASTM C-478 SPECIFICATIONS
 - CONCRETE: 4,000 PSI AT 28 DAYS
 - REINFORCEMENT:
 - FLAT LID: #6 BAR @ 4" C.C. E.W. (GRADE 60)
 - BASE: PER ASTM A615
 - NO STORM INVERT
 - STEPS AT 108 DEGREES
 - HOE 280T FRAME & GRATE SUPPLIED BY OTHERS

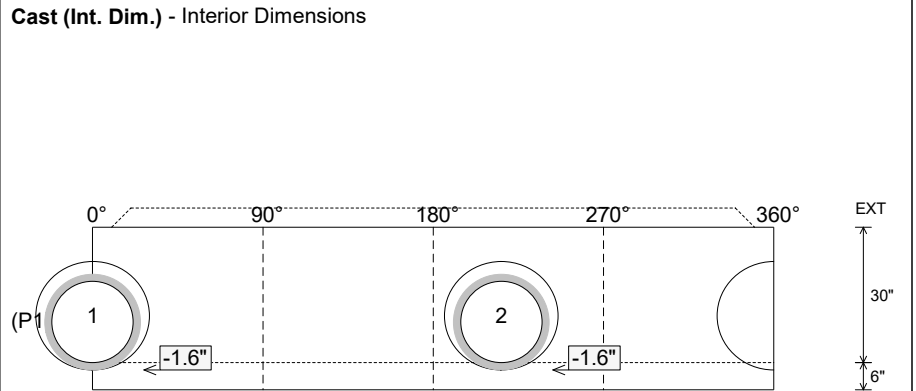
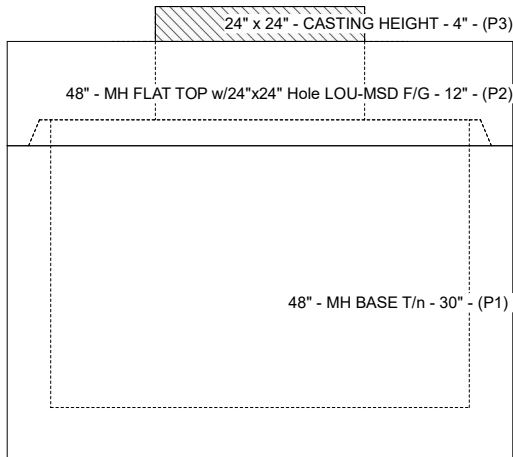
STRUCTURE SUMMARY:

P3) 24" x 24" - CASTING HEIGHT - 4" 0 lb
 P2) 48" - MH FLAT TOP w/24"x24" Hole LOU-MSD F/G - 12" 1500 lb
 P1) 48" - MH BASE T/n - 30" 3032 lb
 1) 48" - Conseal CS-102 1.00" 0 lb
 1) 24" x 24" - Conseal CS-102 1.00" 0 lb
 2) Hole - 24 0 lb
 3) MH Step ML-10-TDS-NCR - 10" 0 lb

Structure Total: 4532 lb



Position	Elev	Angle	Pipe	Pipe OD	Hole	Connector	Up (L)	Ref
Rim	485.1'							
Reducer								
Invert 1	481.1'	0°	18" HDPE	21.2"	24"	Hole 24	-1.6"	P1
Invert 2	481.1'	216°	18" HDPE	21.2"	24"	Hole 24	-1.6"	P1
Invert 3								
Invert 4								
Invert 5								
Invert 6								
Invert 7								
Invert 8								



Submittal Drawing
 2/16/2026 8:12:42 AM

SUBMITTAL
 APPROVED BY: