

Job Name: 25-4299 - Seneca High School
Job Location: Louisville, KY
Contractor: Dan Cristiani Excavating Co. Inc.

PC: J. Jarvis
 TECH: J. Horsley
 Plant: 100



Structure ID: **B5**
 Spec: MSD
 Type: CB SINGLE
 Size: 48"

Rim: 486.25'
 Invert: 482.6'
 Rim to Invert: 3.65'

Sump: 0"
 Floor (Top): 482.6"
 Floor Height: 6"

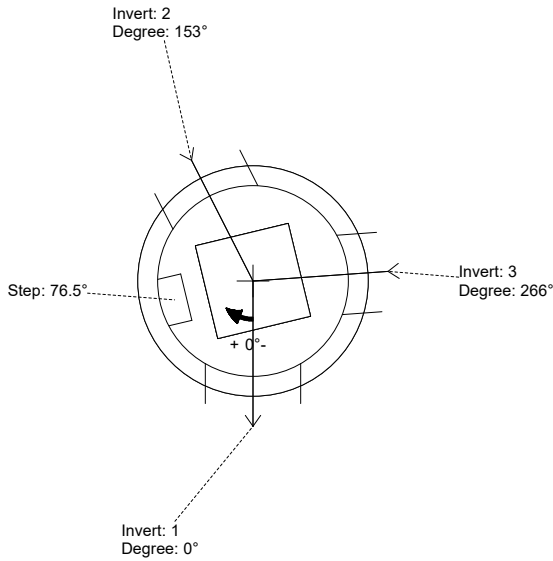
Floor (Bot): 482.1'
 Overall Height: 4.083'
 Slack: 0.8"

Structure Notes:

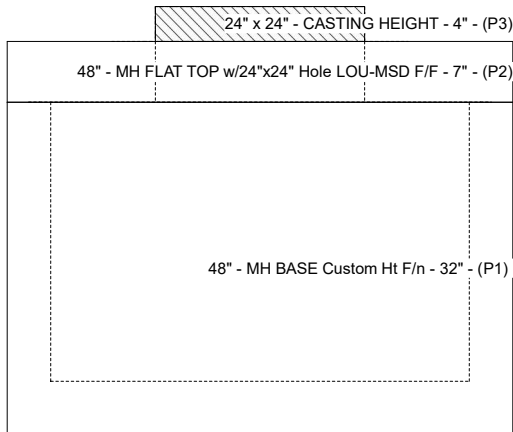
1. PER LOUISVILLE MSD / ASTM C-478 SPECIFICATIONS
2. CONCRETE: 4,000 PSI AT 28 DAYS
3. REINFORCEMENT:
 - FLAT LID: #6 BAR @ 4" C.C. E.W. (GRADE 60)
 - BASE: PER ASTM A615
4. NO STORM INVERT
5. STEPS AT 76.5 DEGREES
6. HOE 280T ADA FRAME & GRATE SUPPLIED BY OTHERS

STRUCTURE SUMMARY:

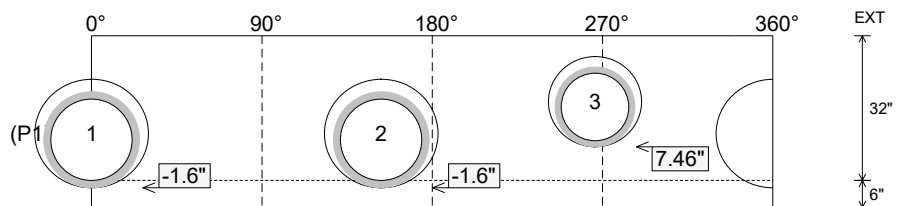
- P3) 24" x 24" - CASTING HEIGHT - 4"
 P2) 48" - MH FLAT TOP w/24"x24" Hole LOU-MSD F/F - 7"
 P1) 48" - MH BASE Custom Ht F/n - 32"
 1) 48" - Conseal CS-102 1.00"
 1) 24" x 24" - Conseal CS-102 1.00"
 2) Hole - 24
 1) Hole - 20
 3) MH Step ML-10-TDS-NCR - 10"
- | | |
|-------------------------|----------------|
| | 0 lb |
| | 1214 lb |
| | 3036 lb |
| | 0 lb |
| | 0 lb |
| | 0 lb |
| | 0 lb |
| | 0 lb |
| | 0 lb |
| Structure Total: | 4250 lb |



Position	Elev	Angle	Pipe	Pipe OD	Hole	Connector	Up (")	Ref
Rim	486.25'							
Reducer								
Invert 1	482.6'	0°	18" HDPE	21.2"	24"	Hole 24	-1.6"	P1
Invert 2	482.6'	153°	18" HDPE	21.2"	24"	Hole 24	-1.6"	P1
Invert 3	483.33'	266°	15" HDPE	17.6"	20"	Hole 20	7.46"	P1
Invert 4								
Invert 5								
Invert 6								
Invert 7								
Invert 8								



Cast (Int. Dim.) - Interior Dimensions



Submittal Drawing
 2/13/2026 11:53:36 AM

SUBMITTAL
 APPROVED BY: