

Job Name: 25-4299 - Seneca High School
Job Location: Louisville, KY
Contractor: Dan Cristiani Excavating Co. Inc.

PC: J. Jarvis
 TECH: J. Horsley
 Plant: 100



Structure ID: **B4**
 Spec: MSD
 Type: CI DOUBLE
 Size: 48"

Rim: 486'
 Invert: 481.65'
 Rim to Invert: 4.35'

Sump: 1.9"
 Floor (Top): 481.492'
 Floor Height: 6"

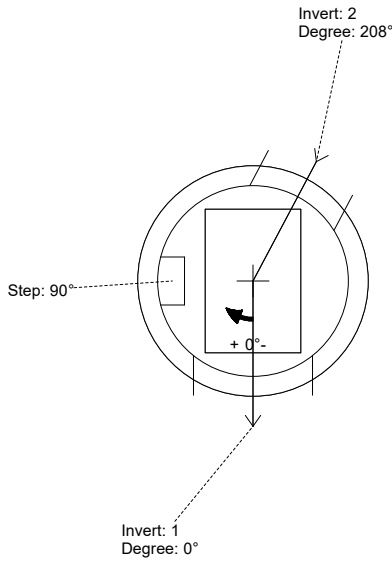
Floor (Bot): 480.992'
 Overall Height: 5'
 Slack: 0.1"

Structure Notes:

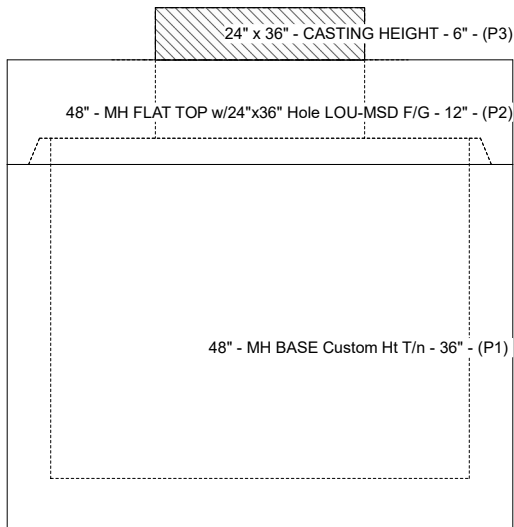
- PER LOUISVILLE MSD / ASTM C-478 SPECIFICATIONS
- CONCRETE: 4,000 PSI AT 28 DAYS
- REINFORCEMENT:
 - FLAT LID: #6 BAR @ 4" C.C. E.W. (GRADE 60)
 - BASE: PER ASTM A615
- NO STORM INVERT
- STEPS AT 90 DEGREES
- HOE 470 FRAME, GRATE, & CURB HOOD SUPPLIED BY OTHERS

STRUCTURE SUMMARY:

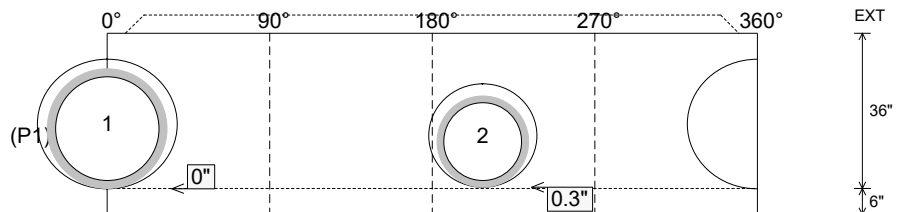
- P3) 24" x 36" - CASTING HEIGHT - 6" 0 lb
 - P2) 48" - MH FLAT TOP w/24"x36" Hole LOU-MSD F/G - 12" 1790 lb
 - P1) 48" - MH BASE Custom Ht T/n - 36" 3332 lb
 - 1) 48" - Conseal CS-102 1.00" 0 lb
 - 1) Hole - 30 0 lb
 - 1) Hole - 24 0 lb
 - 3) MH Step ML-10-TDS-NCR - 10" 0 lb
- Structure Total: 5122 lb



Position	Elev	Angle	Pipe	Pipe OD	Hole	Connector	Up (Δ)	Ref
Rim	486'							
Reducer								
Invert 1	481.65'	0°	24" HDPE	27.8"	30"	Hole 30	0"	P1
Invert 2	481.65'	208°	18" HDPE	21.2"	24"	Hole 24	0.3"	P1
Invert 3								
Invert 4								
Invert 5								
Invert 6								
Invert 7								
Invert 8								



Cast (Int. Dim.) - Interior Dimensions



Submittal Drawing
 2/13/2026 11:53:35 AM

SUBMITTAL
 APPROVED BY: