

Job Name: 25-4299 - Seneca High School
 Job Location: Louisville, KY
 Contractor: Dan Cristiani Excavating Co. Inc.

Plant: 100
 2/13/2026 1:02:53 PM

Tech: J. Horsley
 PC: J. Jarvis



Structure ID: B4

P2 MH048LD12-24x36 LOUMSD

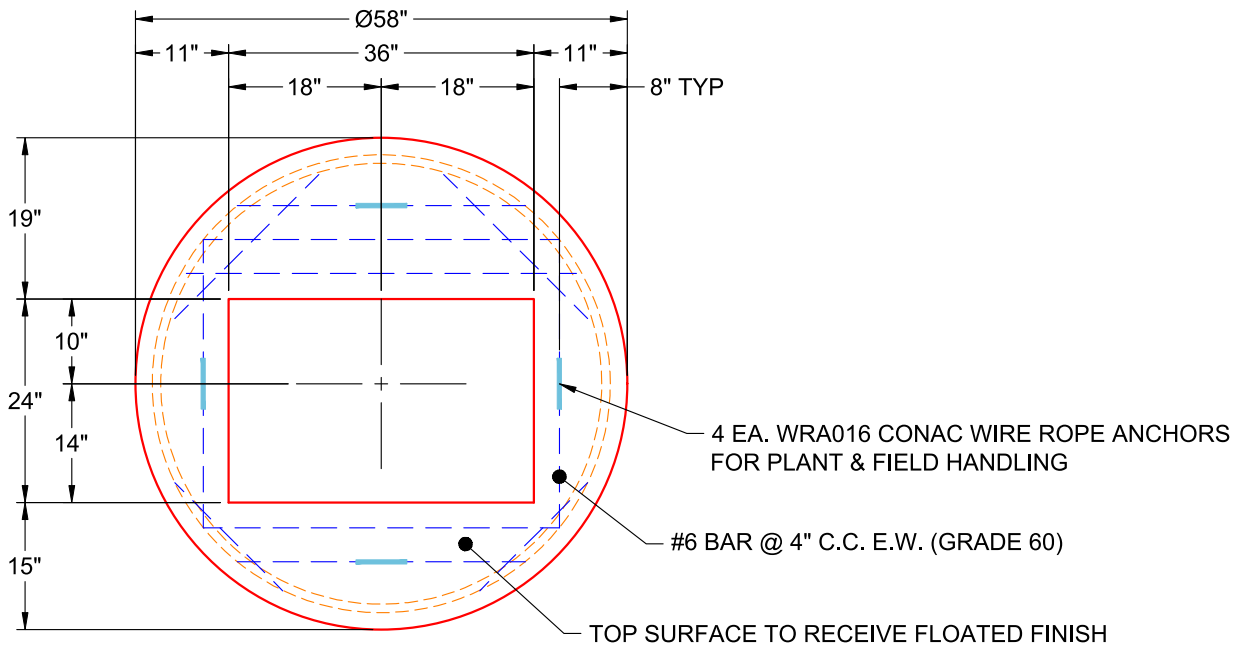
MH FLAT TOP w/24"x36" Hole LOU-MSD F/G

- P3) 24" x 36" - CASTING HEIGHT - 6"
- P2) 48" - MH FLAT TOP w/24"x36" Hole LOU-MSD F/G - 12"
- P1) 48" - MH BASE Custom Ht T/n - 36"
- 1) 48" - Conseal CS-102 1.00"
- 1) Hole - 30
- 1) Hole - 24
- 3) MH Step ML-10-TDS-NCR - 10"

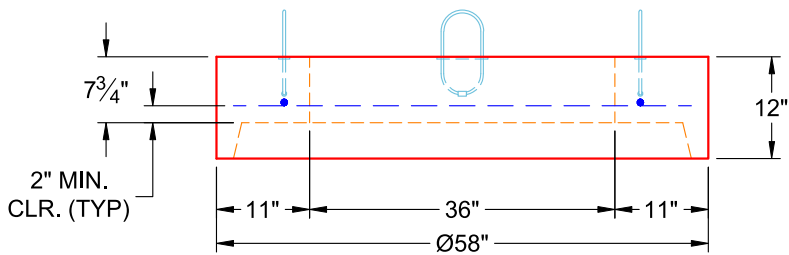
0 lb
 1790 lb
 3332 lb
 0 lb
 0 lb
 0 lb
 0 lb

 0 lb
 Structure Total: 5122 lb

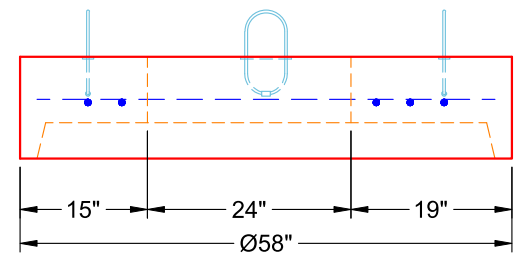
- Structure Notes:
1. PER LOUISVILLE MSD / ASTM C-478 SPECIFICATIONS
 2. CONCRETE: 4,000 PSI AT 28 DAYS
 3. REINFORCEMENT: #6 BAR @ 4" C.C. E.W. (GRADE 60) - 2" MIN. REBAR CLEARANCE (TYP)
 4. HOE 470 FRAME, GRATE, & CURB HOOD SUPPLIED BY OTHERS
 5. LIFTERS: 4 EA. WRA016 CONAC WIRE ROPE ANCHORS FOR PLANT & FIELD HANDLING
 6. TOP SURFACE TO RECEIVE FLOATED FINISH



**PLAN VIEW
(RIGHT SIDE UP)**



**FRONT VIEW
(RIGHT SIDE UP)**



**SIDE VIEW
(RIGHT SIDE UP)**

Coating (Int):
 Coating (Ext):

Seam Up: Flat
 Seam Dn: Groove

Wall Thickness: 5"

Height (Ext): 12"

Weight (Net): 1790 lb
 Volume (Net): 0.46cu.yd