

Job Name: 25-4299 - Seneca High School
Job Location: Louisville, KY
Contractor: Dan Cristiani Excavating Co. Inc.

PC: J. Jarvis
 TECH: J. Horsley
 Plant: 100



Structure ID: **B3**
 Spec: MSD
 Type: CI DOUBLE
 Size: 48"

Rim: 487.1'
 Invert: 480.85'
 Rim to Invert: 6.25'

Sump: 1.9"
 Floor (Top): 480.692'
 Floor Height: 6"

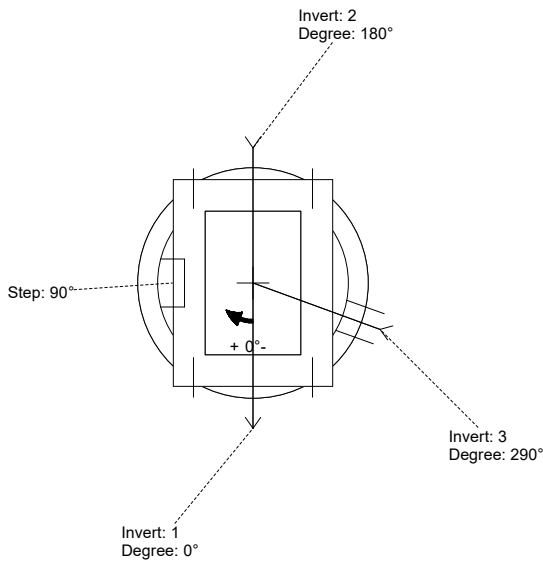
Floor (Bot): 480.192'
 Overall Height: 6.75'
 Slack: 1.9"

Structure Notes:

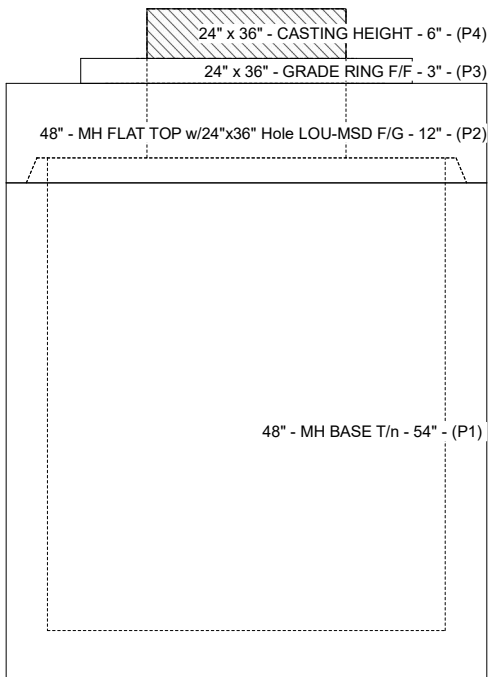
1. PER LOUISVILLE MSD / ASTM C-478 SPECIFICATIONS
2. CONCRETE: 4,000 PSI AT 28 DAYS
3. REINFORCEMENT:
 - FLAT LID: #6 BAR @ 4" C.C. E.W. (GRADE 60)
 - BASE: PER ASTM A615
4. NO STORM INVERT
5. STEPS AT 90 DEGREES
6. HOE 470 FRAME, GRATE, & CURB HOOD SUPPLIED BY OTHERS

STRUCTURE SUMMARY:

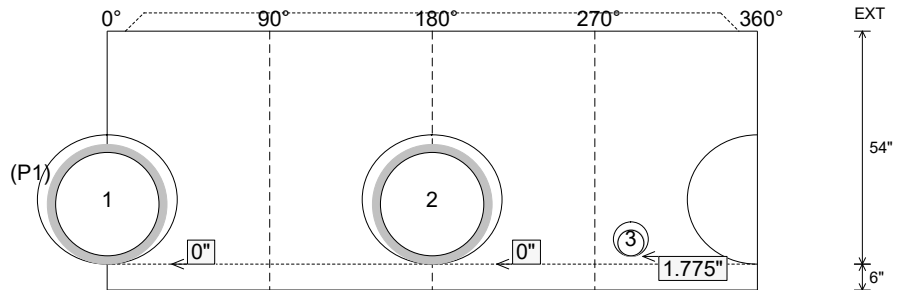
- P4) 24" x 36" - CASTING HEIGHT - 6"
 - P3) 24" x 36" - GRADE RING F/F - 3"
 - P2) 48" - MH FLAT TOP w/24"x36" Hole LOU-MSD F/G - 12"
 - P1) 48" - MH BASE T/n - 54"
- 1) 48" - Conseal CS-102 1.00"
 - 2) Hole - 30
 - 1) Hole - 8
 - 4) MH Step ML-10-TDS-NCR - 10"
- 0 lb
 306 lb
 1790 lb
 4449 lb
 0 lb
 0 lb
 0 lb
 0 lb
 0 lb
Structure Total: 6546 lb



| Position | Elev | Angle | Pipe | Pipe OD | Hole | Connector | Up (') | Ref |
|----------|---------|-------|--------------|---------|------|-----------|--------|-----|
| Rim | 487.1' | | | | | | | |
| Reducer | | | | | | | | |
| Invert 1 | 480.85' | 0° | 24" HDPE | 27.8" | 30" | Hole 30 | 0" | P1 |
| Invert 2 | 480.85' | 180° | 24" HDPE | 27.8" | 30" | Hole 30 | 0" | P1 |
| Invert 3 | 480.85' | 290° | 6" PVC SDR35 | 6.25" | 8" | Hole 8 | 1.775" | P1 |
| Invert 4 | | | | | | | | |
| Invert 5 | | | | | | | | |
| Invert 6 | | | | | | | | |
| Invert 7 | | | | | | | | |
| Invert 8 | | | | | | | | |



Cast (Int. Dim.) - Interior Dimensions



Submittal Drawing
 2/13/2026 11:53:34 AM

SUBMITTAL
 APPROVED BY: