

Job Name: 25-4299 - Seneca High School
Job Location: Louisville, KY
Contractor: Dan Cristiani Excavating Co. Inc.

PC: J. Jarvis
 TECH: J. Horsley
 Plant: 100



Structure ID: **B2**
 Spec: MSD
 Type: CI DOUBLE
 Size: 48"

Rim: 487.1'
 Invert: 479.75'
 Rim to Invert: 7.35'

Sump: 1.9"
 Floor (Top): 479.592'
 Floor Height: 6"

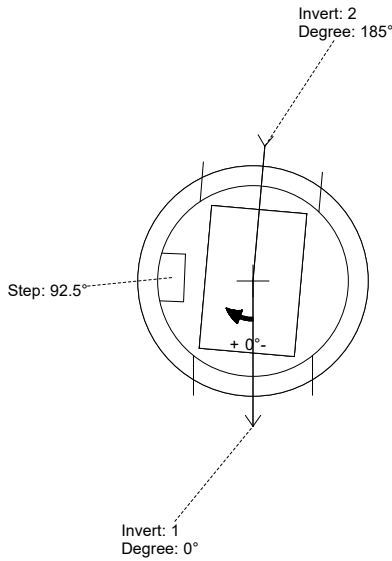
Floor (Bot): 479.092'
 Overall Height: 8'
 Slack: 0.1"

- Structure Notes:**
- PER LOUISVILLE MSD / ASTM C-478 SPECIFICATIONS
 - CONCRETE: 4,000 PSI AT 28 DAYS
 - REINFORCEMENT:
 - FLAT LID: #6 BAR @ 4" C.C. E.W. (GRADE 60)
 - BASE: PER ASTM A615
 - NO STORM INVERT
 - STEPS AT 92.5 DEGREES
 - HOE 470 FRAME, GRATE, & CURB HOOD SUPPLIED BY OTHERS

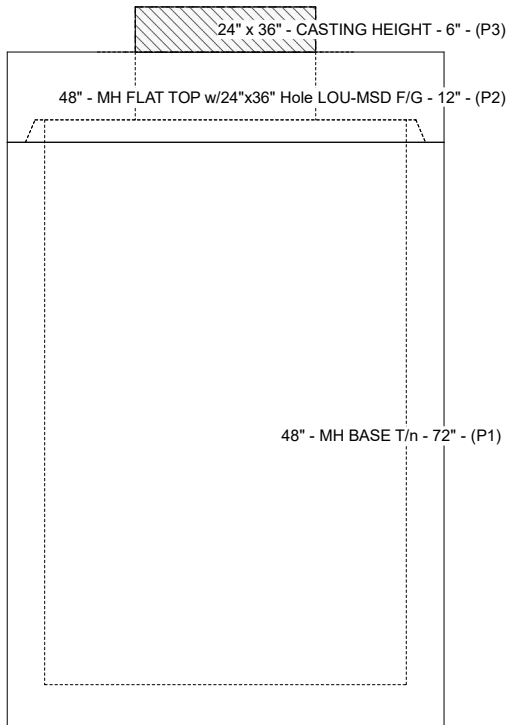
STRUCTURE SUMMARY:

P3) 24" x 36" - CASTING HEIGHT - 6" 0 lb
 P2) 48" - MH FLAT TOP w/24"x36" Hole LOU-MSD F/G - 12" 1790 lb
 P1) 48" - MH BASE T/n - 72" 5728 lb
 1) 48" - Conseal CS-102 1.00" 0 lb
 2) Hole - 30 0 lb
 6) MH Step ML-10-TDS-NCR - 10" 0 lb

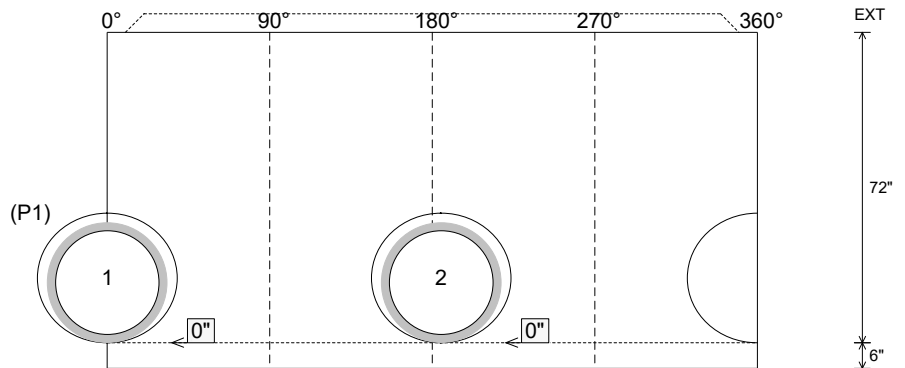
Structure Total: 7518 lb



Position	Elev	Angle	Pipe	Pipe OD	Hole	Connector	Up (L)	Ref
Rim	487.1'							
Reducer								
Invert 1	479.75'	0°	24" HDPE	27.8"	30"	Hole 30	0"	P1
Invert 2	479.75'	185°	24" HDPE	27.8"	30"	Hole 30	0"	P1
Invert 3								
Invert 4								
Invert 5								
Invert 6								
Invert 7								
Invert 8								



Cast (Int. Dim.) - Interior Dimensions



Submittal Drawing
 2/13/2026 11:53:33 AM

SUBMITTAL
 APPROVED BY: