

Job Name: 25-4299 - Seneca High School
Job Location: Louisville, KY
Contractor: Dan Cristiani Excavating Co. Inc.

PC: J. Jarvis
 TECH: J. Horsley
 Plant: 100



Structure ID: **B13**
 Spec: MSD
 Type: Yard Drain
 Size: 24" x 24"

Rim: 487.3'
 Invert: 485.1'
 Rim to Invert: 2.2'

Sump: 0"
 Floor (Top): 485.1'
 Floor Height: 8"

Floor (Bot): 484.433'
 Overall Height: 2.833'
 Slack: 0.4"

Structure Notes:

1. PER LOUISVILLE MSD / ASTM C-913 SPECIFICATIONS
2. CONCRETE: 4,000 PSI AT 28 DAYS
3. REINFORCEMENT: #5 BAR @ 12" C.C. E.W. (GRADE 60)
4. NO STORM INVERT
5. NO STEPS
6. HOE 280T FRAME & GRATE SUPPLIED BY OTHERS

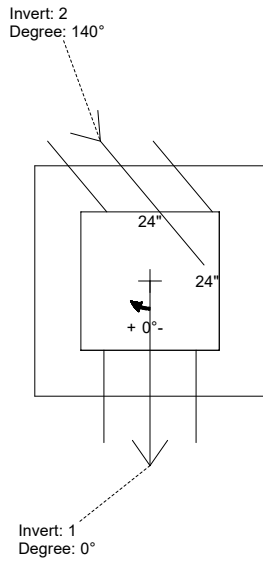
STRUCTURE SUMMARY:

P2) 24" x 24" - CASTING HEIGHT - 4"
 P1) 24" x 24" - BOX BASE 8inW, 8inF, Variable Ht F/n - 22"
 1) 24" x 24" - Conseal CS-102 1.00"

1) Hole - 16
 1) Hole - 14

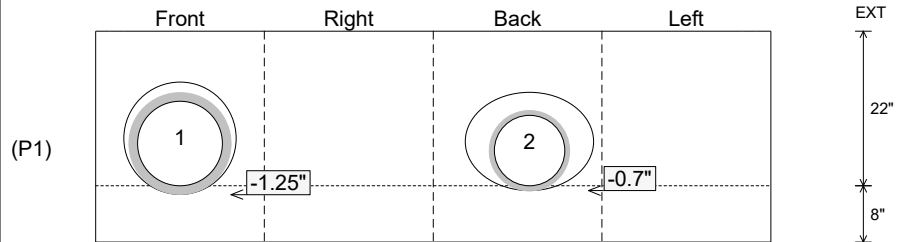
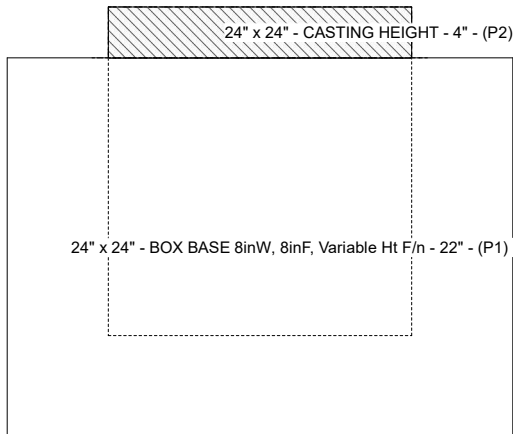
0 lb
 2695 lb
 0 lb
 0 lb
 0 lb

 Structure Total: 2695 lb



Position	Elev	Angle	Pipe	Pipe OD	Hole	Connector	Up (L)	Ref
Rim	487.3'							
Reducer								
Invert 1	485.1'	0°	12" HDPE	14.5"	16"	Hole 16	-1.25"	P1
Invert 2	485.1'	140°	10" HDPE	11.4"	14"	Hole 14	-0.7"	P1
Invert 3								
Invert 4								
Invert 5								
Invert 6								
Invert 7								
Invert 8								

Cast (Int. Dim.) - Interior Dimensions



Submittal Drawing
 2/13/2026 11:53:43 AM

SUBMITTAL
 APPROVED BY: