

**Job Name: 25-4299 - Seneca High School**  
**Job Location: Louisville, KY**  
**Contractor: Dan Cristiani Excavating Co. Inc.**

PC: J. Jarvis  
 TECH: J. Horsley  
 Plant: 100



Structure ID: **B10**  
 Spec: MSD  
 Type: CI DOUBLE  
 Size: 48"

Rim: 484.5'  
 Invert: 480.4'  
 Rim to Invert: 4.1'

Sump: 0"  
 Floor (Top): 480.4'  
 Floor Height: 6"

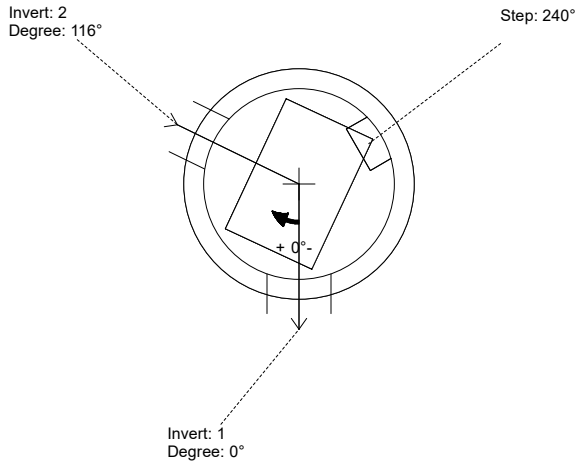
Floor (Bot): 479.9'  
 Overall Height: 4.5'  
 Slack: 1.2"

**Structure Notes:**

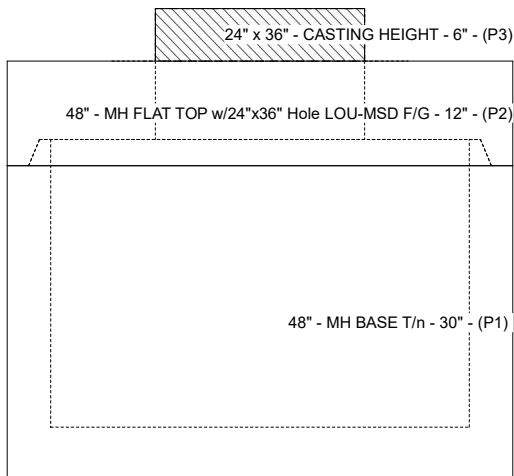
- PER LOUISVILLE MSD / ASTM C-478 SPECIFICATIONS
- CONCRETE: 4,000 PSI AT 28 DAYS
- REINFORCEMENT:
  - FLAT LID: #6 BAR @ 4" C.C. E.W. (GRADE 60)
  - BASE: PER ASTM A615
- NO STORM INVERT
- STEPS AT 240 DEGREES
- HOE 470 FRAME, GRATE, & CURB HOOD SUPPLIED BY OTHERS

**STRUCTURE SUMMARY:**

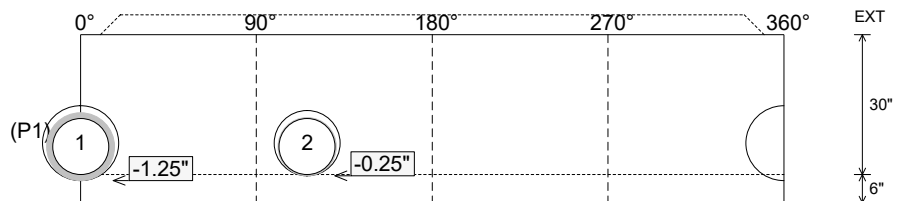
- P3) 24" x 36" - CASTING HEIGHT - 6" 0 lb
  - P2) 48" - MH FLAT TOP w/24"x36" Hole LOU-MSD F/G - 12" 1790 lb
  - P1) 48" - MH BASE T/n - 30" 3275 lb
  - 1) 48" - Conseal CS-102 1.00" 0 lb
  - 1) 24" x 36" - Conseal CS-102 1.00" 0 lb
  - 1) Hole - 16 0 lb
  - 1) Hole - 14 0 lb
  - 3) MH Step ML-10-TDS-NCR - 10" 0 lb
- Structure Total: 5065 lb



Position	Elev	Angle	Pipe	Pipe OD	Hole	Connector	Up ( )	Ref
Rim	484.5'							
Reducer								
Invert 1	480.4'	0°	12" HDPE	14.5"	16"	Hole 16	-1.25"	P1
Invert 2	480.4'	116°	12" PVC SDR35	12.5"	14"	Hole 14	-0.25"	P1
Invert 3								
Invert 4								
Invert 5								
Invert 6								
Invert 7								
Invert 8								



**Cast (Int. Dim.) - Interior Dimensions**



Submittal Drawing  
 2/13/2026 11:53:40 AM

SUBMITTAL  
 APPROVED BY: