

**Job Name: 25-4299 - Seneca High School**  
**Job Location: Louisville, KY**  
**Contractor: Dan Cristiani Excavating Co. Inc.**

PC: J. Jarvis  
 TECH: J. Horsley  
 Plant: 100



Structure ID: **A5**  
 Spec: Storm  
 Type: STM.MH  
 Size: 84"

Rim: 484.5'  
 Invert: 478.2'  
 Rim to Invert: 6.3'

Sump: 5.5"  
 Floor (Top): 477.742'  
 Floor Height: 8"

Floor (Bot): 477.075'  
 Overall Height: 7.417'  
 Slack: 0.1"

**Structure Notes:**

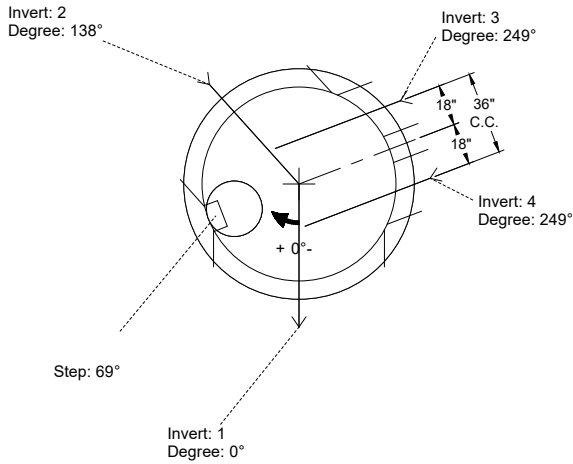
- PER ASTM C-478 SPECIFICATIONS
- CONCRETE: 4,000 PSI AT 28 DAYS
- REINFORCEMENT:
  - FLAT LID TOP MAT: #4 BAR @ 18" C.C. E.W. (GRADE 60)
  - FLAT LID BOTTOM MAT: #4 BAR @ 9" C.C. E.W. (GRADE 60)
  - BASE: PER ASTM A615
- NO STORM INVERT
- STEPS AT 69 DEGREES
- HOE MC-420 FRAME & COVER "STORM LOU-MSD" SUPPLIED BY OTHERS
- THIS STRUCTURE CONTAINS A WEIR WALL - SEE ATTACHED DRAWING FOR DETAILS

**STRUCTURE SUMMARY:**

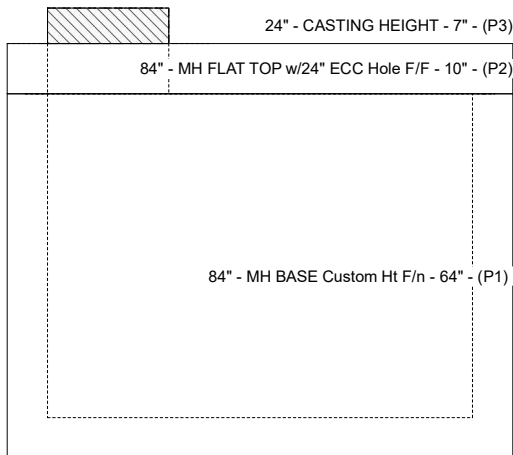
- P3) 24" - CASTING HEIGHT - 7"
- P2) 84" - MH FLAT TOP w/24" ECC Hole F/F - 10"
- P1) 84" - MH BASE Custom Ht F/n - 64"
- 1) SECONDARY POUR - WEIR WALL
  - 84" - Conseal CS-102 1.00"
  - Hole - 74 x 52
  - Hole - 24
  - MH Step ML-10-TDS-NCR - 10"

0 lb  
 6211 lb  
 12246 lb  
 985 lb  
 0 lb  
 0 lb  
 0 lb  
 0 lb

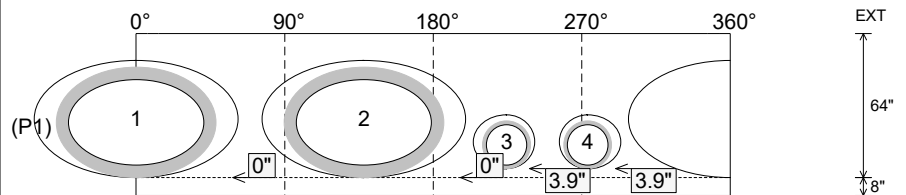
Structure Total: 19442 lb



Position	Elev	Angle	Pipe	Pipe OD	Hole	Connector	Up (L)	Ref
Rim	484.5'							
Reducer								
Invert 1	478.2'	0°	60" x 38" ELL RCP	71" x 49"	74" x 52"	Hole 74 x 52	0"	P1
Invert 2	478.2'	138°	60" x 38" ELL RCP	71" x 49"	74" x 52"	Hole 74 x 52	0"	P1
Invert 3	478.2'	249°	18" HDPE	21.2"	24"	Hole 24	3.9"	P1
Invert 4	478.2'	249°	18" HDPE	21.2"	24"	Hole 24	3.9"	P1
Invert 5								
Invert 6								
Invert 7								
Invert 8								

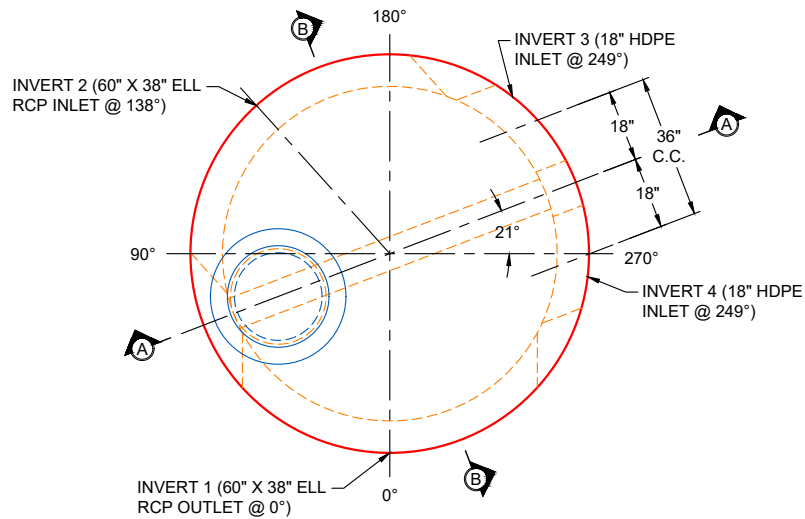


**Cast (Int. Dim.) - Interior Dimensions**



Submittal Drawing  
 2/4/2026 10:58:06 AM

SUBMITTAL  
 APPROVED BY:

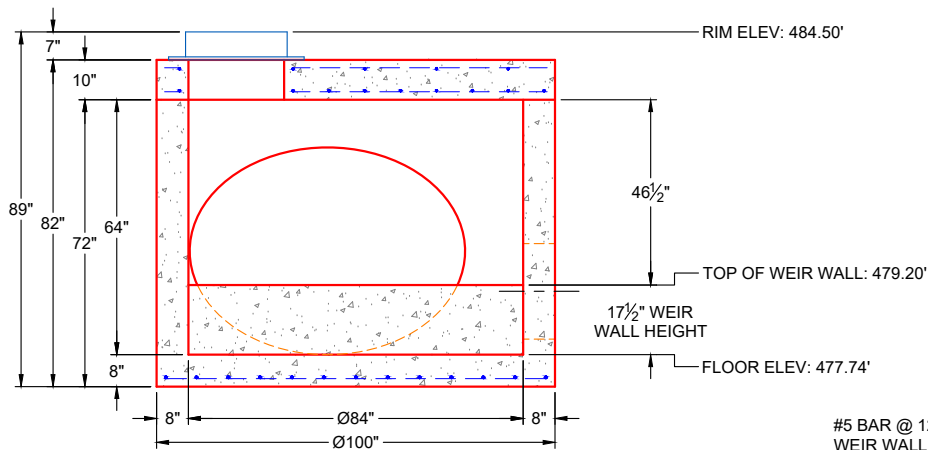


**PLAN VIEW**

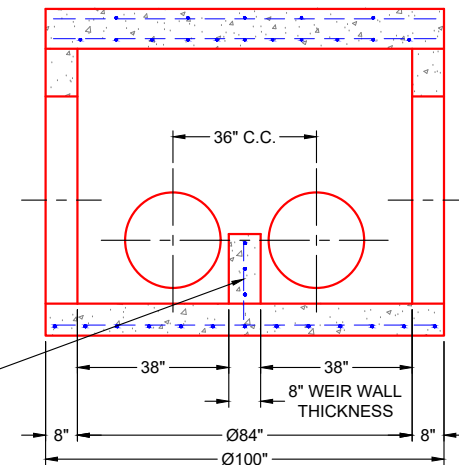
**GENERAL NOTES:**

1. PER ASTM C-478 (LATEST REVISION)
2. CONCRETE: 4,000 PSI AT 28 DAYS
3. WEIR WALL REINFORCEMENT: #5 BAR @ 12" C.C. E.W. (GRADE 60) DRILLED & DOWELED INTO BASE FLOOR (MIN. 4" PENETRATION)
4. WEIGHTS
 

64" BASE:	12,246 LBS
Ø84" X 17½" X 8" WEIR WALL:	985 LBS
<b>BASE &amp; WEIR WALL TOTAL WEIGHT:</b>	<b>13,231 LBS</b>



**SECTION A-A**



**SECTION B-B**

#5 BAR @ 12" C.C. E.W. (GRADE 60)  
WEIR WALL REINFORCEMENT  
DRILLED & DOWELED INTO BASE  
FLOOR (MIN. 4" PENETRATION)

**REVISION INFORMATION**

REV.	DATE:	NO REVISIONS TO DATE



SUBMITTAL DRAWING: Ø84" X 17½" X 8" WEIR WALL		
CUSTOMER: DAN CRISTIANI EXCAVATING CO. INC.		
PROJECT: SENECA HIGH SCHOOL		
STRUCTURE: A5		
QUOTE/SALES ORDER NO: 25-4299		
CHECKED BY: B. SMITH	DRAWN BY: K. CARDWELL	
DATE: 02/04/26	SCALE: NTS	PG. 1 OF 1