

**Job Name: 25-4299 - Seneca High School**  
**Job Location: Louisville, KY**  
**Contractor: Dan Cristiani Excavating Co. Inc.**

PC: J. Jarvis  
 TECH: J. Horsley  
 Plant: 100



Structure ID: A4  
 Spec: Storm  
 Type: STM.MH  
 Size: 84"

Rim: 482.5'  
 Invert: 477.65'  
 Rim to Invert: 4.85'

Sump: 5.496"  
 Floor (Top): 477.192'  
 Floor Height: 8"

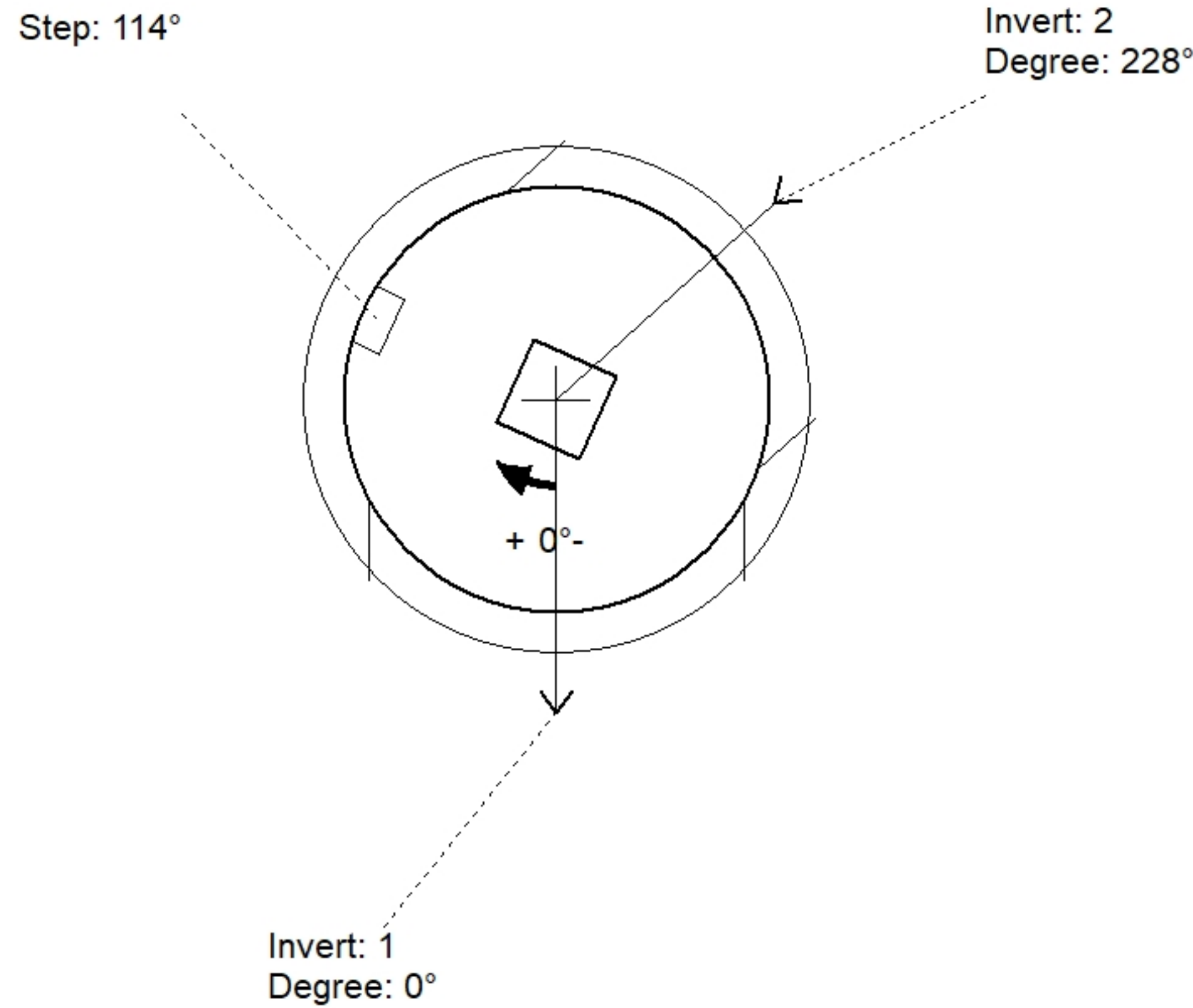
Floor (Bot): 476.525'  
 Overall Height: 5.917'  
 Slack: 0.696"

**Structure Notes:**

- PER ASTM C478 SPECIFICATIONS.
  - CONCRETE = 4,000 PSI AT 28 DAYS.
  - NO INVERT CHANNEL.
  - CASTING BY OTHERS (HOE 165-A MSD F/G).
- REINFORCING PER ASTM A615 (GRADE 60).  
 - TOP SLAB = H2O LOADING.  
 - RISER/WALLS (As .24)  
 - FLOOR (As .47) #5 BARS AT 8" C.C.E.W.

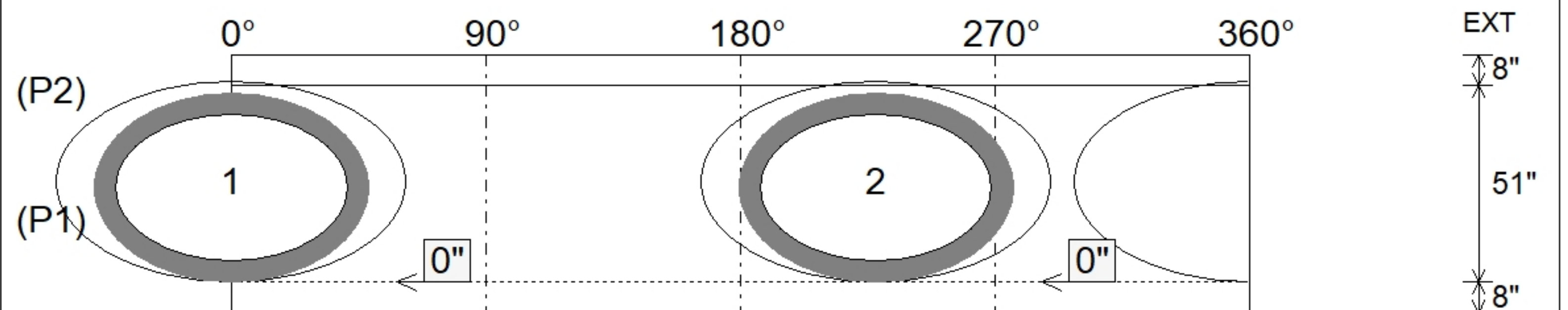
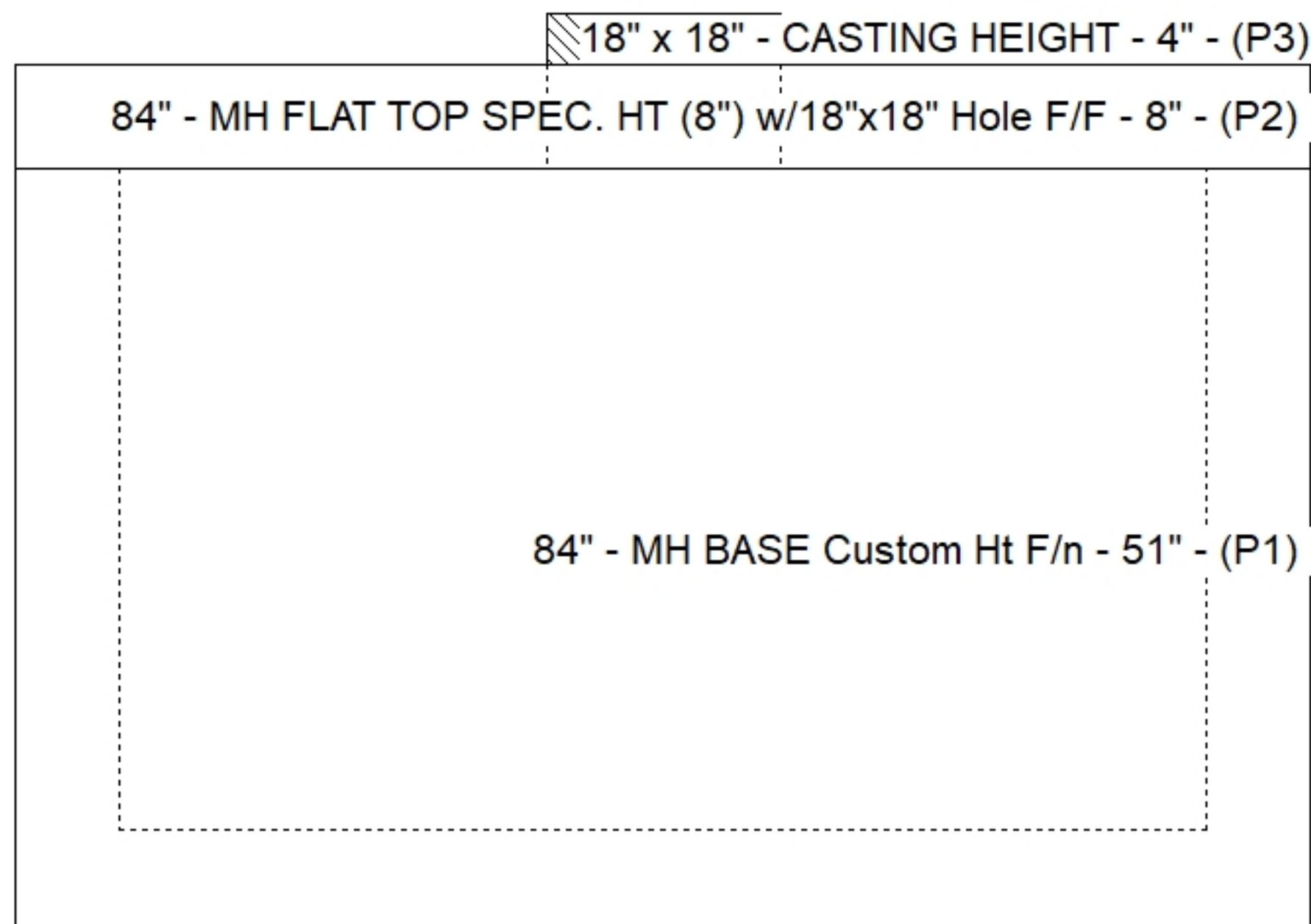
**STRUCTURE SUMMARY:**

P3) 18" x 18" - CASTING HEIGHT - 4"	0 lb
P2) 84" - MH FLAT TOP SPEC. HT (8") w/18"x18" Hole F/F - 8"	5432 lb
P1) 84" - MH BASE Custom Ht F/n - 51"	10423 lb
1) 84" - Conseal CS-102 1.00"	0 lb
1) 18" x 18" - Conseal CS-102 1.00"	0 lb
2) Hole - 74 x 52	0 lb
4) MH Step ML-10-TDS-NCR - 10"	0 lb
<b>Structure Total:</b>	<b>15855 lb</b>



Position	Elev	Angle	Pipe	Pipe OD	Hole	Connector	Up ( )	Ref
Rim	482.5'							
Reducer								
Invert 1	477.65'	0°	60" x 38" ELL RCP	71" x 49"	74" x 52"	Hole 74 x 52	0"	P1
Invert 2	477.65'	228°	60" x 38" ELL RCP	71" x 49"	74" x 52"	Hole 74 x 52	0"	P1
Invert 3								
Invert 4								
Invert 5								
Invert 6								
Invert 7								
Invert 8								

**Cast (Int. Dim.) - Interior Dimensions**



Submittal Drawing  
 1/28/2026 2:37:21 PM

SUBMITTAL  
 APPROVED BY: