

Job Name: 25-4299 - Seneca High School
 Job Location: Louisville, KY
 Contractor: Dan Cristiani Excavating Co. Inc.

Plant: 100
 1/28/2026 2:43:02 PM

Tech: J. Horsley
 PC: J. Jarvis



Structure ID: A4

P2 MH084LD08-18x18

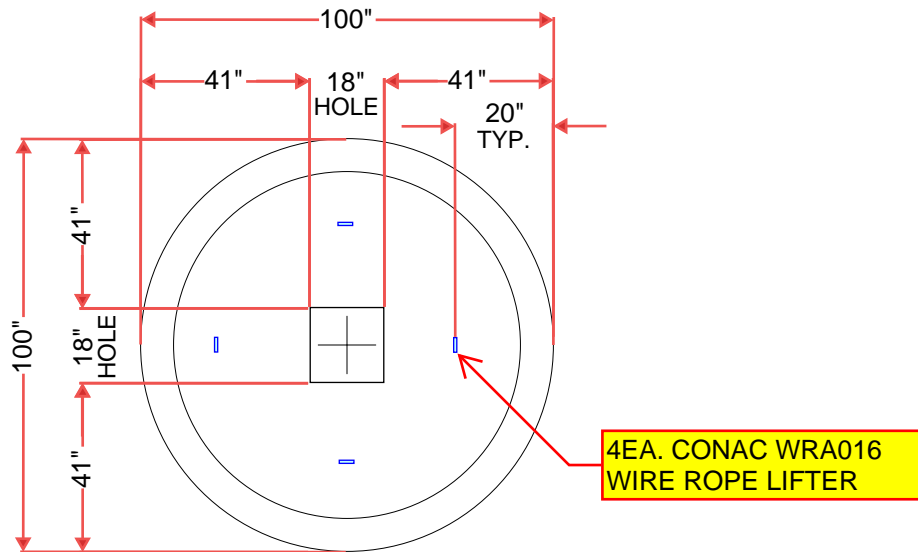
MH FLAT TOP SPEC. HT (8") w/18"x18" Hole F/F

- P3) 18" x 18" - CASTING HEIGHT - 4"
- P2) 84" - MH FLAT TOP SPEC. HT (8") w/18"x18" Hole F/F - 8"
- P1) 84" - MH BASE Custom Ht F/n - 51"
- 1) 84" - Conseal CS-102 1.00"
- 1) 18" x 18" - Conseal CS-102 1.00"
- 2) Hole - 74 x 52
- 4) MH Step ML-10-TDS-NCR - 10"

0 lb
 5432 lb
 10423 lb
 0 lb
 0 lb
 0 lb
 0 lb

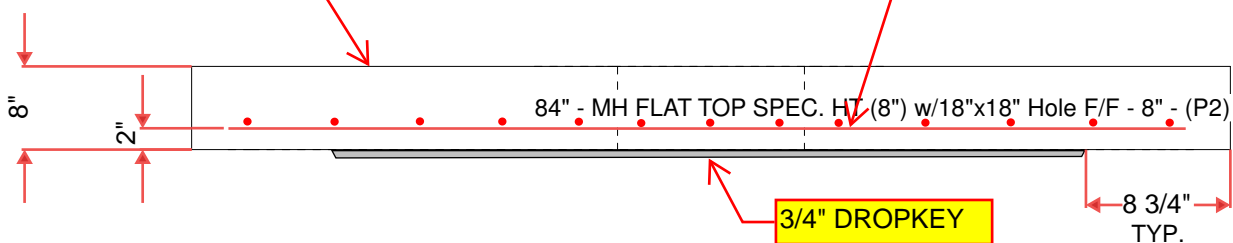
 Structure Total: 15855 lb

Structure Notes:
 1. PER ASTM C478 SPECIFICATIONS.
 2. CONCRETE = 4,000 PSI AT 28 DAYS.
 3. NO INVERT CHANNEL.
 4. CASTING BY OTHERS (HOE 165-A MSD F/G).
 REINFORCING PER ASTM A615 (GRADE 60).
 - TOP SLAB = H20 LOADING.
 - RISER/WALLS (As .24)
 - FLOOR (As .47) #5 BARS AT 8" C.C.E.W.



FLOAT FINISH ON TOP SURFACE

#5 BARS AT 6" C.C.E.W. 2" CLR. TYPICAL



Coating (Int): Coating (Ext):	Seam Up: Flat Seam Dn: Flat	Wall Thickness: 8"	Height (Ext): 8"	Weight (Net): 5432 lb Volume (Net): 1.39cu.yd
----------------------------------	--------------------------------	--------------------	------------------	--