

Job Name: 25-4299 - Seneca High School
 Job Location: Louisville, KY
 Contractor: Dan Cristiani Excavating Co. Inc.

Plant: 100
 1/21/2026 1:38:24 PM

Tech: J. Horsley
 PC: J. Jarvis



Structure ID: A3

P2 MH084LD10-18x18

MH FLAT TOP w/18"x18" Hole F/F

- P3) 18" x 18" - CASTING HEIGHT - 4"
- P2) 84" - MH FLAT TOP w/18"x18" Hole F/F - 10"
- P1) 84" - MH BASE Custom Ht F/n - 58"
- 1) 84" - Conseal CS-102 1.00"
- 2) Hole - 74 x 52
- 4) MH Step ML-10-TDS-NCR - 10"

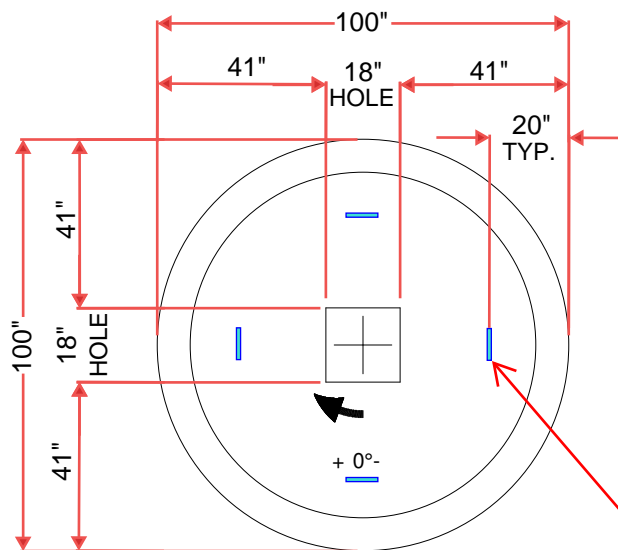
0 lb
 6714 lb
 11759 lb
 0 lb
 0 lb
 0 lb
 0 lb

Structure Total: 18474 lb

Structure Notes:

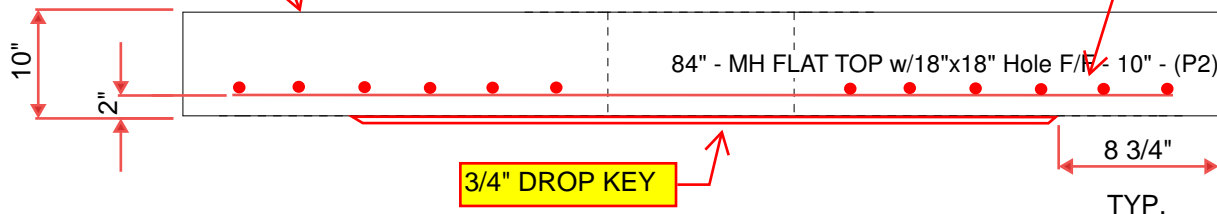
1. PER ASTM C478 SPECIFICATIONS.
2. CONCRETE = 4,000 PSI AT 28 DAYS.
3. NO INVERT CHANNEL.
4. CASTING BY OTHERS (HOE 165-A MSD F/G).

REINFORCING PER ASTM A615 (GRADE 60).
 - TOP SLAB = H20 LOADING.
 - RISER/WALLS (As .24)
 - FLOOR (As .47) #5 BARS AT 8" C.C.E.W.



FLOAT FINISH ON TOP SURFACE

#5 BARS AT 6" C.C.E.W



Coating (Int):
 Coating (Ext):

Seam Up: Flat
 Seam Dn: Flat

Wall Thickness: 8"

Height (Ext): 10"

Weight (Net): 6714 lb
 Volume (Net): 1.72cu.yd