

Job Name: 25-4299 - Seneca High School
Job Location: Louisville, KY
Contractor: Dan Cristiani Excavating Co. Inc.

PC: J. Jarvis
 TECH: J. Horsley
 Plant: 100



Structure ID: **A29**
 Spec: MSD
 Type: Yard Drain
 Size: 48"

Rim: 488.4'
 Invert: 484'
 Rim to Invert: 4.4'

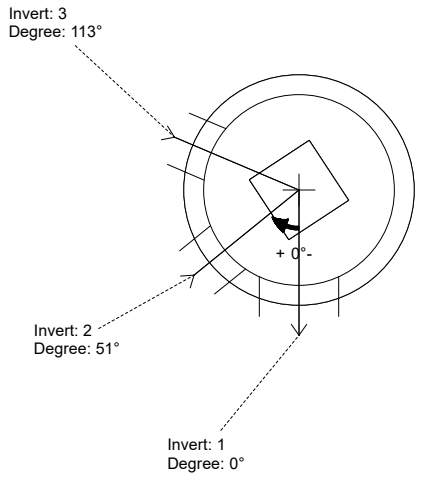
Sump: 0"
 Floor (Top): 484'
 Floor Height: 6"

Floor (Bot): 483.5'
 Overall Height: 4.833'
 Slack: 0.8"

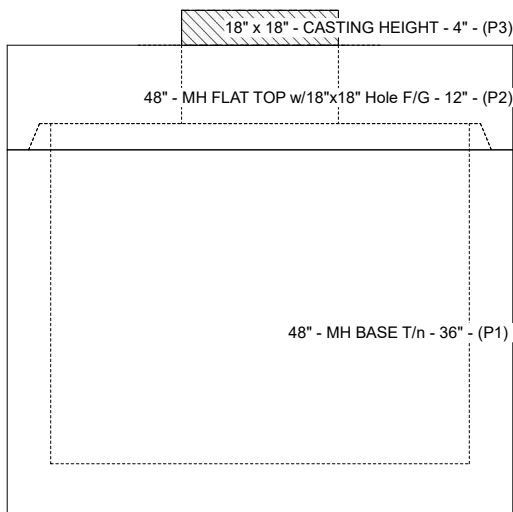
- Structure Notes:**
- PER LOUISVILLE MSD / ASTM C-478 SPECIFICATIONS
 - CONCRETE: 4,000 PSI AT 28 DAYS
 - REINFORCEMENT:
 - FLAT LID: #4 BAR @ 10" C.C. E.W. (GRADE 60)
 - BASE: PER ASTM A615
 - NO STORM INVERT
 - NO STEPS
 - HOE 165-A FRAME & GRATE SUPPLIED BY OTHERS

STRUCTURE SUMMARY:

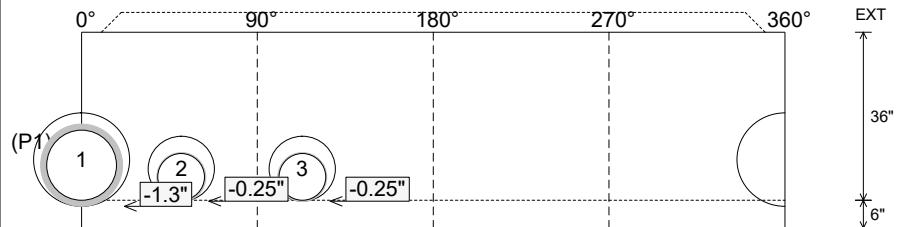
P3) 18" x 18" - CASTING HEIGHT - 4" 0 lb
 P2) 48" - MH FLAT TOP w/18"x18" Hole F/G - 12" 2334 lb
 P1) 48" - MH BASE T/n - 36" 3579 lb
 1) 48" - Conseal CS-102 1.00" 0 lb
 1) Hole - 20 0 lb
 2) Hole - 14 0 lb
 _____ 0 lb
 Structure Total: 5913 lb



Position	Elev	Angle	Pipe	Pipe OD	Hole	Connector	Up ()	Ref
Rim	488.4'							
Reducer								
Invert 1	484'	0°	15" HDPE	17.6"	20"	Hole 20	-1.3"	P1
Invert 2	484'	51°	10" PVC SDR35	10.5"	14"	Hole 14	-0.25"	P1
Invert 3	484'	113°	10" PVC SDR35	10.5"	14"	Hole 14	-0.25"	P1
Invert 4								
Invert 5								
Invert 6								
Invert 7								
Invert 8								



Cast (Int. Dim.) - Interior Dimensions



Submittal Drawing
 2/13/2026 10:00:13 AM

SUBMITTAL
 APPROVED BY: