

Job Name: 25-4299 - Seneca High School  
 Job Location: Louisville, KY  
 Contractor: Dan Cristiani Excavating Co. Inc.

Plant: 100  
 2/13/2026 10:05:05 AM

Tech: J. Horsley  
 PC: J. Jarvis



**Structure ID: A29**

**P1 MH048BA36**

**MH BASE T/n**

- P3) 18" x 18" - CASTING HEIGHT - 4"
- P2) 48" - MH FLAT TOP w/18"x18" Hole F/G - 12"
- P1) 48" - MH BASE T/n - 36"
- 1) 48" - Conseal CS-102 1.00"
- 1) Hole - 20
- 2) Hole - 14

0 lb  
 2334 lb  
 3579 lb  
 0 lb  
 0 lb  
 0 lb  
 \_\_\_\_\_  
 5913 lb

Structure Total: 5913 lb

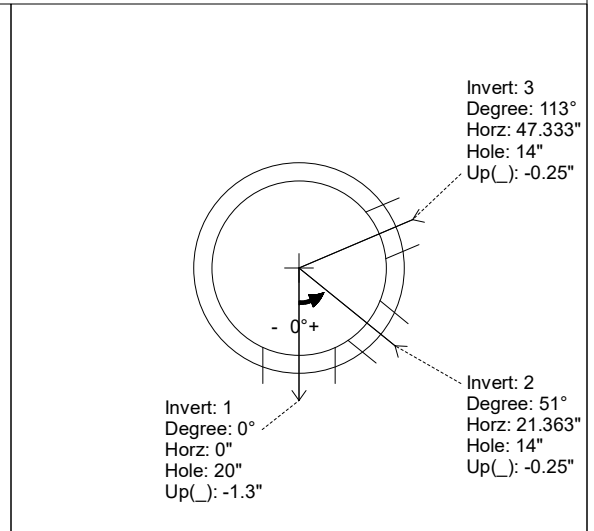
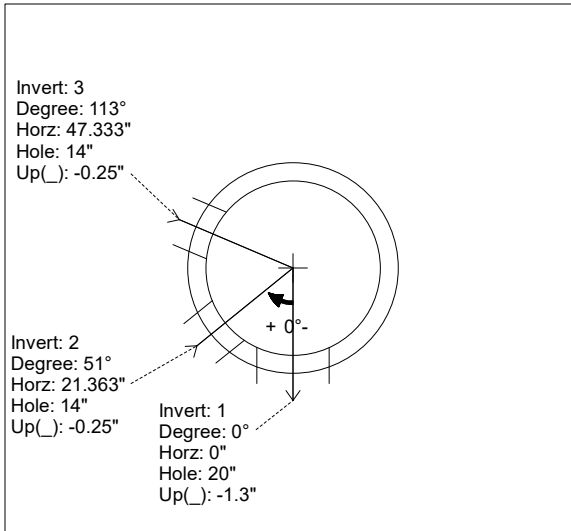
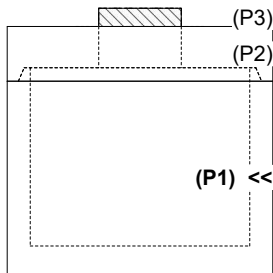
- Structure Notes:**
1. PER LOUISVILLE MSD / ASTM C-478 SPECIFICATIONS
  2. CONCRETE: 4,000 PSI AT 28 DAYS
  3. REINFORCEMENT: PER ASTM A615
  4. NO STORM INVERT
  5. NO STEPS
  6. HOE 165-A FRAME & GRATE SUPPLIED BY OTHERS

Rim: 488.4' Rim to Invert: 4.4' Slack: 0.8" Sump: 0" Step Position:

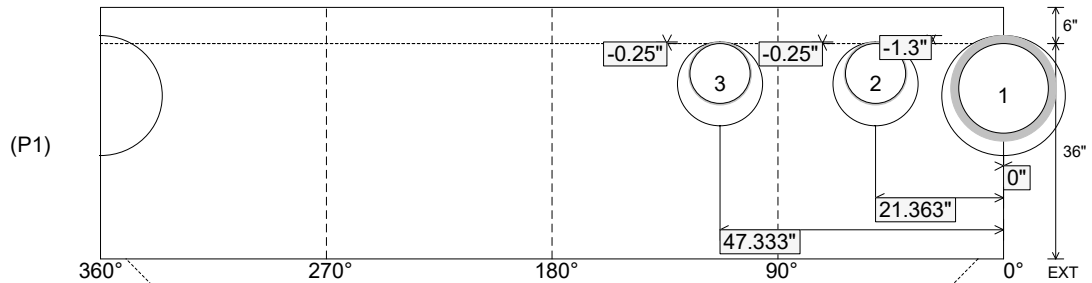
Position	Elev	Angle	Ext. (cw)	Pipe	Pipe OD	Connector	Hole	Horz Size	Up ( )	Offset
Invert 1	484'	0°	0"	15" HDPE	17.6"	Hole 20	20"	20.629"	-1.3"	0"
Invert 2	484'	51°	25.813"	10" PVC SDR35	10.5"	Hole 14	14"	14.207"	-0.25"	0"
Invert 3	484'	113°	57.194"	10" PVC SDR35	10.5"	Hole 14	14"	14.207"	-0.25"	0"
Invert 4										
Invert 5										
Invert 6										
Invert 7										
Invert 8										

RIGHT-SIDE UP VIEW (int. dimensions)

UPSIDE-DOWN VIEW (int. dimensions)



INSIDE WALL DIMENSIONS



Coating (Int):  
 Coating (Ext):

Seam Up: Tongue  
 Seam Dn: n/a

Wall Thickness: 5"  
 Floor Height: 6"

Height (Int): 36"  
 Height (Ext): 42"

Weight (Net): 3579 lb  
 Volume (Net): 0.91cu.yd