

Job Name: 25-4299 - Seneca High School
Job Location: Louisville, KY
Contractor: Dan Cristiani Excavating Co. Inc.

PC: J. Jarvis
 TECH: J. Horsley
 Plant: 100



Structure ID: **A27**
 Spec: MSD
 Type: Yard Drain
 Size: 24" x 24"

Rim: 485.1'
 Invert: 482.55'
 Rim to Invert: 2.55'

Sump: 0"
 Floor (Top): 482.55'
 Floor Height: 8"

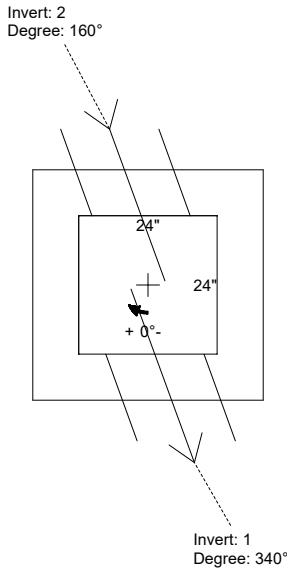
Floor (Bot): 481.883'
 Overall Height: 3.167'
 Slack: 0.6"

- Structure Notes:**
1. PER LOUISVILLE MSD / ASTM C-913 SPECIFICATIONS
 2. CONCRETE: 4,000 PSI AT 28 DAYS
 3. REINFORCEMENT: #5 BAR @ 12" C.C. E.W. (GRADE 60)
 4. NO STORM INVERT
 5. NO STEPS
 6. HOE 280T FRAME & GRATE SUPPLIED BY OTHERS

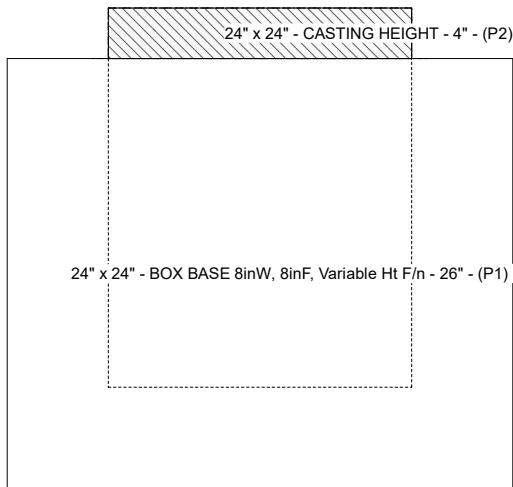
STRUCTURE SUMMARY:

P2) 24" x 24" - CASTING HEIGHT - 4" 0 lb
 P1) 24" x 24" - BOX BASE 8inW, 8inF, Variable Ht F/n - 26" 3021 lb
 1) 24" x 24" - Conseal CS-102 1.00" 0 lb
 2) Hole - 16 0 lb

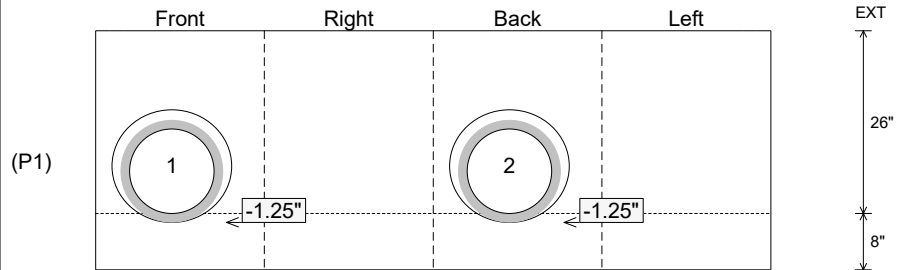
Structure Total: 3021 lb



| Position | Elev | Angle | Pipe | Pipe OD | Hole | Connector | Up () | Ref |
|----------|---------|-------|----------|---------|------|-----------|--------|-----|
| Rim | 485.1' | | | | | | | |
| Reducer | | | | | | | | |
| Invert 1 | 482.55' | 340° | 12" HDPE | 14.5" | 16" | Hole 16 | -1.25" | P1 |
| Invert 2 | 482.55' | 160° | 12" HDPE | 14.5" | 16" | Hole 16 | -1.25" | P1 |
| Invert 3 | | | | | | | | |
| Invert 4 | | | | | | | | |
| Invert 5 | | | | | | | | |
| Invert 6 | | | | | | | | |
| Invert 7 | | | | | | | | |
| Invert 8 | | | | | | | | |



Cast (Int. Dim.) - Interior Dimensions



Submittal Drawing
 2/13/2026 10:00:11 AM

SUBMITTAL
 APPROVED BY: