

Job Name: 25-4299 - Seneca High School
Job Location: Louisville, KY
Contractor: Dan Cristiani Excavating Co. Inc.

PC: J. Jarvis
 TECH: J. Horsley
 Plant: 100



Structure ID: **A24**
 Spec: MSD
 Type: CI DOUBLE
 Size: 24" x 36"

Rim: 484.9'
 Invert: 482.8'
 Rim to Invert: 2.1'

Sump: 0"
 Floor (Top): 482.8'
 Floor Height: 8"

Floor (Bot): 482.133'
 Overall Height: 2.75'
 Slack: 0.2"

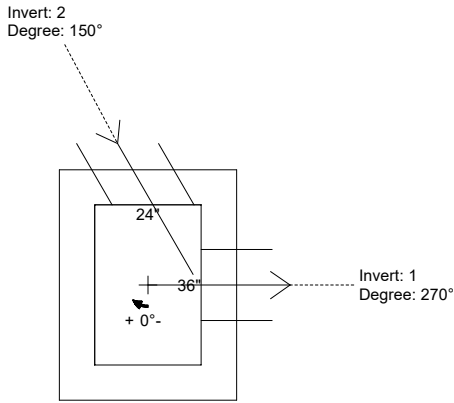
- Structure Notes:**
- PER LOUISVILLE MSD / ASTM C-913 SPECIFICATIONS
 - CONCRETE: 4,000 PSI AT 28 DAYS
 - REINFORCEMENT: #5 BAR @ 12" C.C. E.W. (GRADE 60)
 - NO STORM INVERT
 - NO STEPS
 - HOE 470 FRAME, GRATE, & CURB HOOD SUPPLIED BY OTHERS

STRUCTURE SUMMARY:

P2) 24" x 36" - CASTING HEIGHT - 6"
 P1) 24" x 36" - BOX BASE 8inW, 8inF, Variable Ht F/n - 19"
 1) 24" x 36" - Conseal CS-102 1.00"
 2) Hole - 16

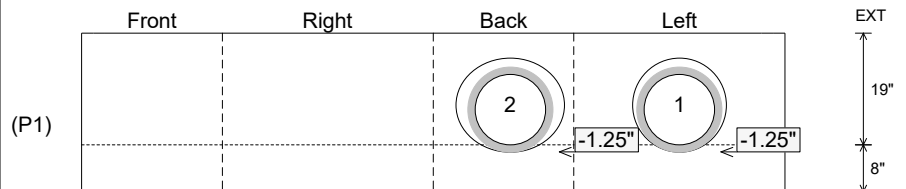
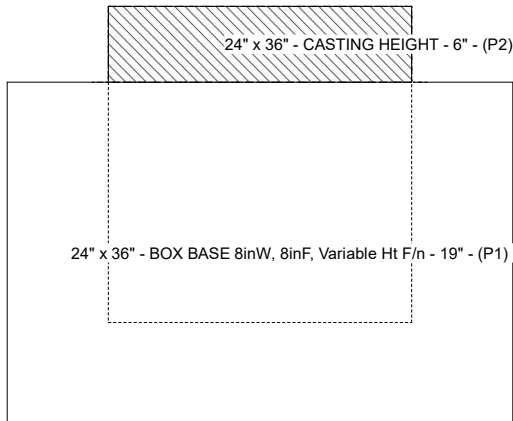
0 lb
 3044 lb
 0 lb
 0 lb

 Structure Total: 3044 lb



Position	Elev	Angle	Pipe	Pipe OD	Hole	Connector	Up (L)	Ref
Rim	484.9'							
Reducer								
Invert 1	482.8'	270°	12" HDPE	14.5"	16"	Hole 16	-1.25"	P1
Invert 2	482.8'	150°	12" HDPE	14.5"	16"	Hole 16	-1.25"	P1
Invert 3								
Invert 4								
Invert 5								
Invert 6								
Invert 7								
Invert 8								

Cast (Int. Dim.) - Interior Dimensions



Submittal Drawing
 2/13/2026 10:00:08 AM

SUBMITTAL
 APPROVED BY: