

Job Name: 25-4299 - Seneca High School
Job Location: Louisville, KY
Contractor: Dan Cristiani Excavating Co. Inc.

PC: J. Jarvis
 TECH: J. Horsley
 Plant: 100



Structure ID: A2
 Spec: Storm
 Type: STM.MH
 Size: 84"

Rim: 482.5'
 Invert: 476.05'
 Rim to Invert: 6.45'

Sump: 5.496"
 Floor (Top): 475.592'
 Floor Height: 8"

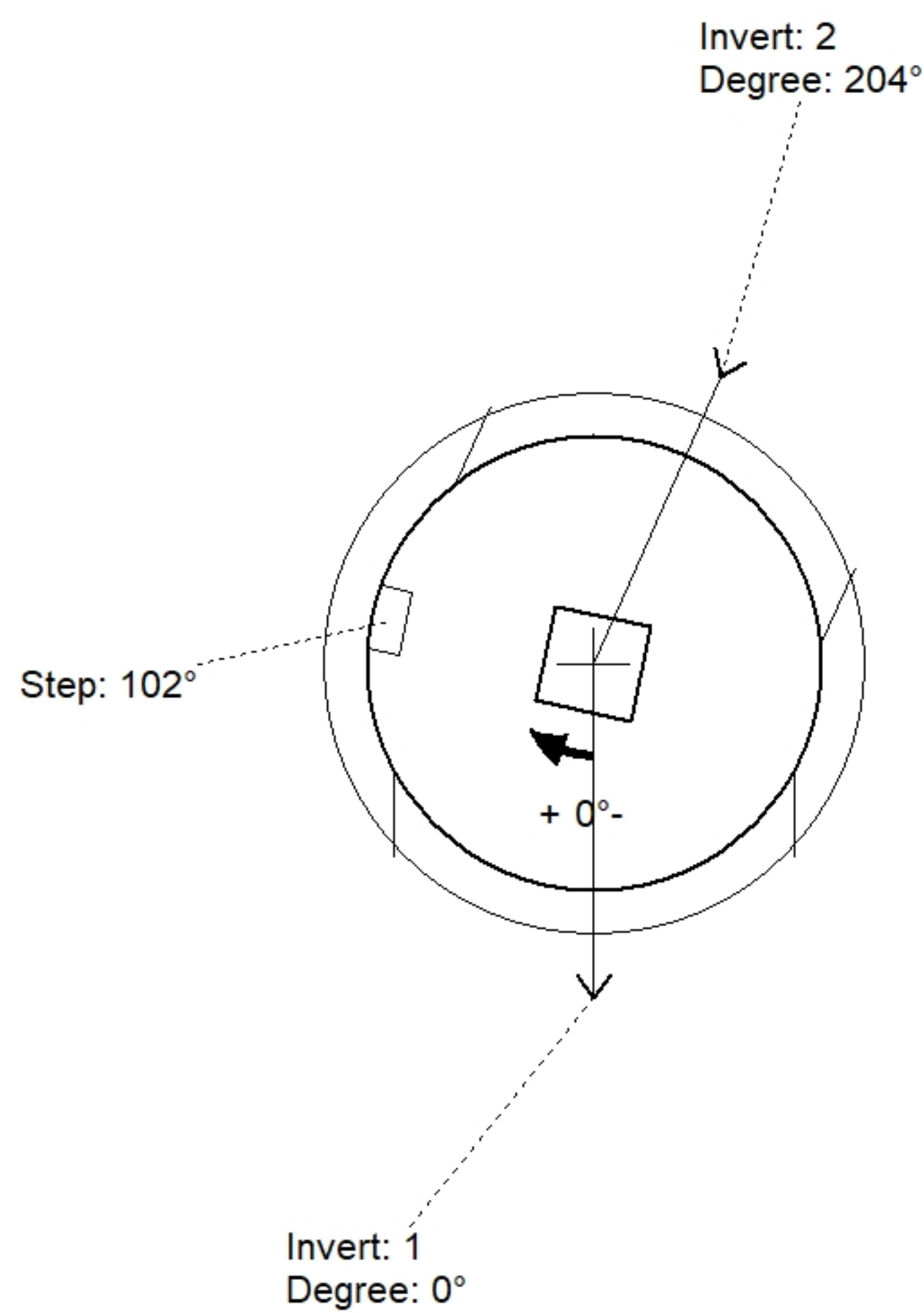
Floor (Bot): 474.925'
 Overall Height: 7.5'
 Slack: 0.896"

Structure Notes:

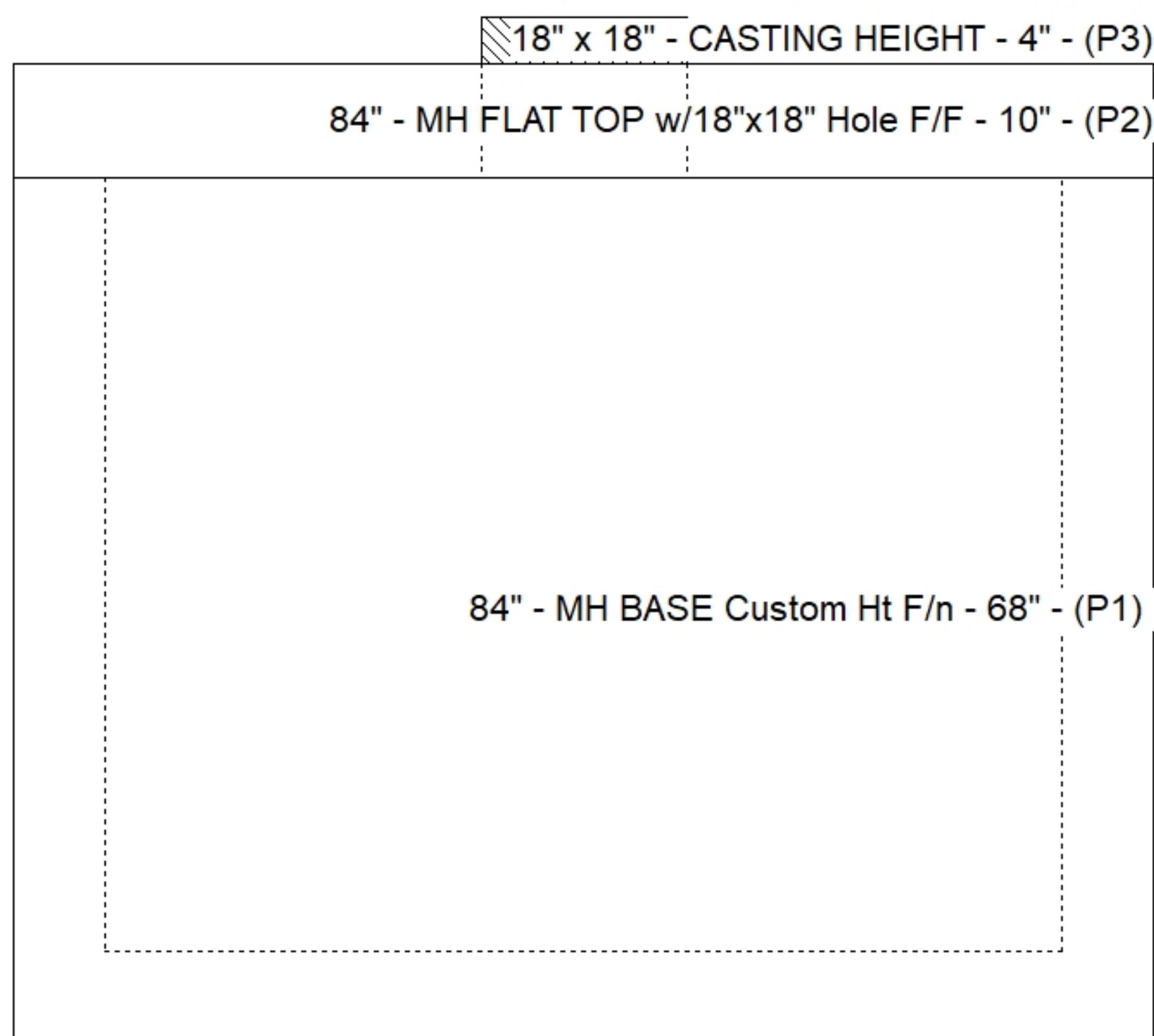
- PER ASTM C478 SPECIFICATIONS.
 - CONCRETE = 4,000 PSI AT 28 DAYS.
 - NO INVERT CHANNEL.
 - CASTING BY OTHERS (HOE 165-A MSD F/G)
- REINFORCING PER ASTM A615 (GRADE 60).
 - TOP SLAB = H2O LOADING.
 - RISER/WALLS (As .24)
 - FLOOR (As .47) #5 BARS AT 8" C.C.E.W.

STRUCTURE SUMMARY:

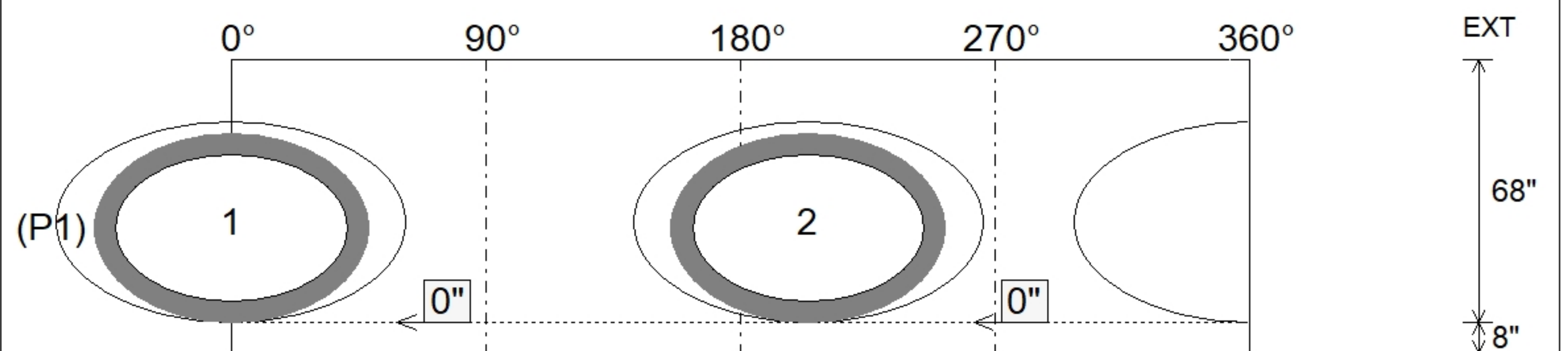
P3) 18" x 18" - CASTING HEIGHT - 4"	0 lb
P2) 84" - MH FLAT TOP w/18"x18" Hole F/F - 10"	6714 lb
P1) 84" - MH BASE Custom Ht F/n - 68"	13700 lb
1) 84" - Conseal CS-102 1.00"	0 lb
2) Hole - 74 x 52	0 lb
5) MH Step ML-10-TDS-NCR - 10"	0 lb
Structure Total:	20414 lb



Position	Elev	Angle	Pipe	Pipe OD	Hole	Connector	Up ()	Ref
Rim	482.5'							
Reducer								
Invert 1	476.05'	0°	60" x 38" ELL RCP	71" x 49"	74" x 52"	Hole 74 x 52	0"	P1
Invert 2	476.05'	204°	60" x 38" ELL RCP	71" x 49"	74" x 52"	Hole 74 x 52	0"	P1
Invert 3								
Invert 4								
Invert 5								
Invert 6								
Invert 7								
Invert 8								



Cast (Int. Dim.) - Interior Dimensions



Submittal Drawing
 1/21/2026 1:16:34 PM

SUBMITTAL
 APPROVED BY: