

Structure ID: A2

P1 MH084BAVF

MH BASE Custom Ht F/n

- P3) 18" x 18" - CASTING HEIGHT - 4"
- P2) 84" - MH FLAT TOP w/18"x18" Hole F/F - 10"
- P1) 84" - MH BASE Custom Ht F/n - 68"
- 1) 84" - Conseal CS-102 1.00"
- 2) Hole - 74 x 52
- 5) MH Step ML-10-TDS-NCR - 10"

0 lb
 6714 lb
 13700 lb
 0 lb
 0 lb
 0 lb

 Structure Total: 20414 lb

Structure Notes:
 1. PER ASTM C478 SPECIFICATIONS.
 2. CONCRETE = 4,000 PSI AT 28 DAYS.
 3. NO INVERT CHANNEL.
 4. CASTING BY OTHERS (HOE 165-A MSD F/G)

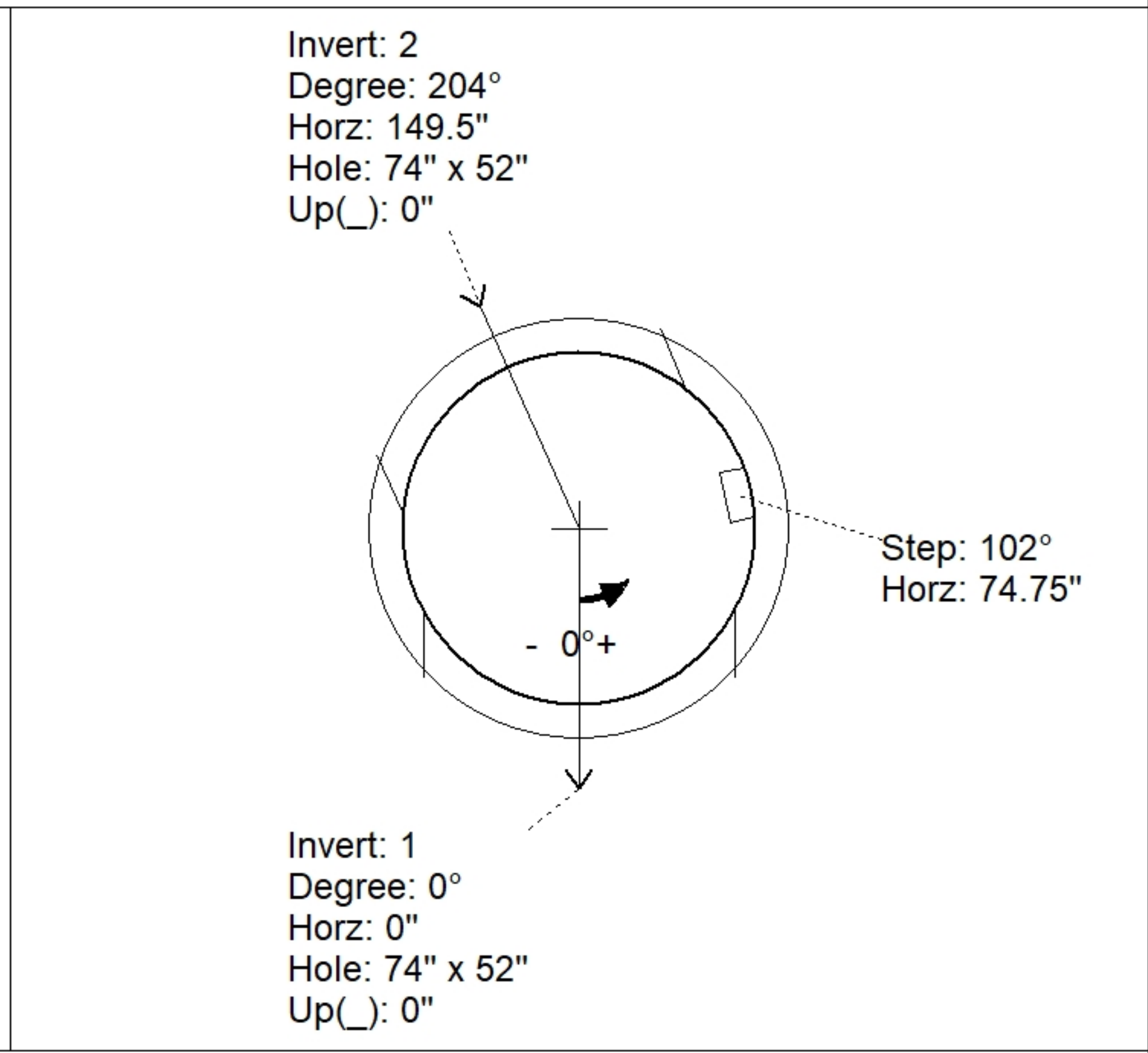
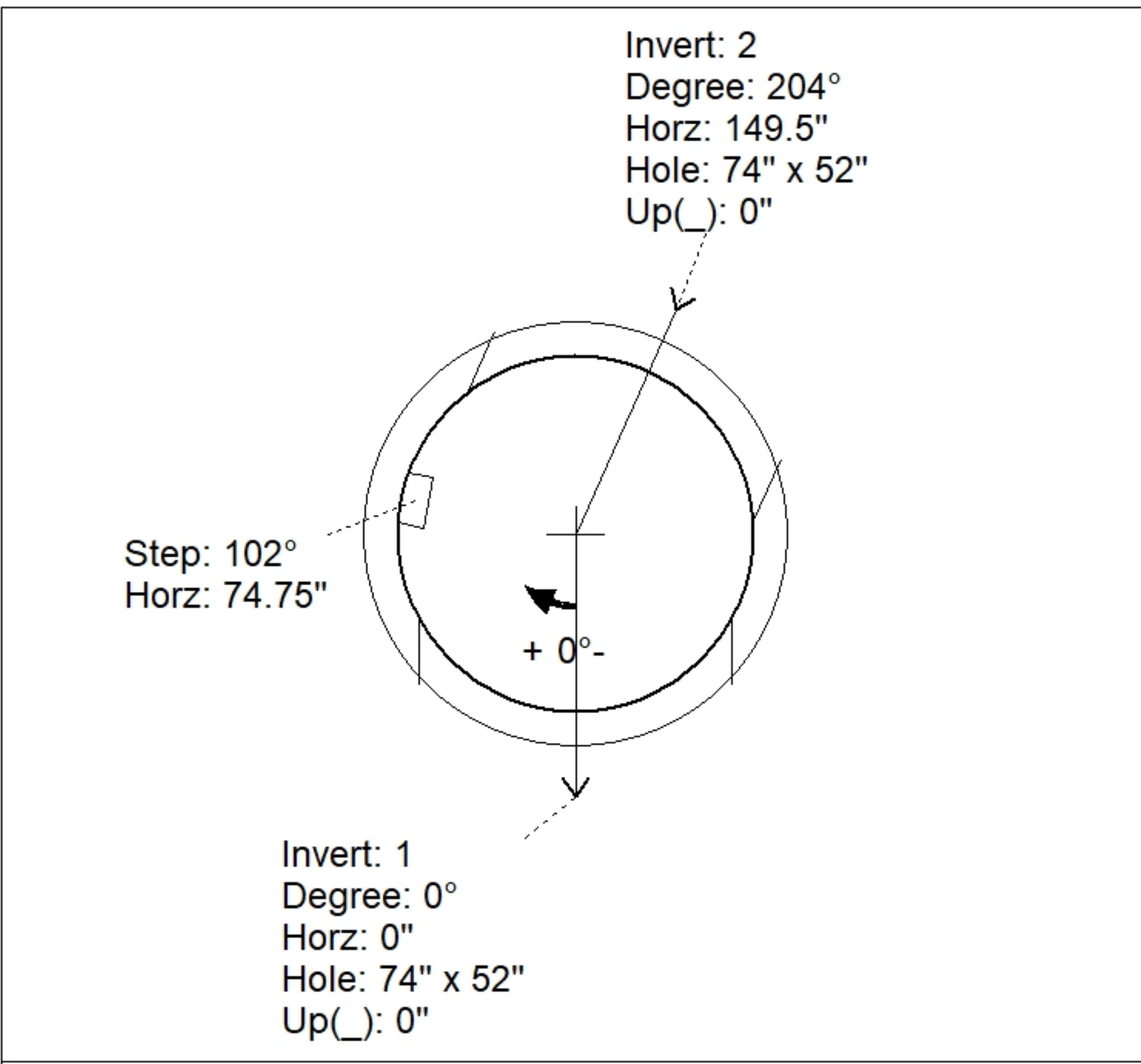
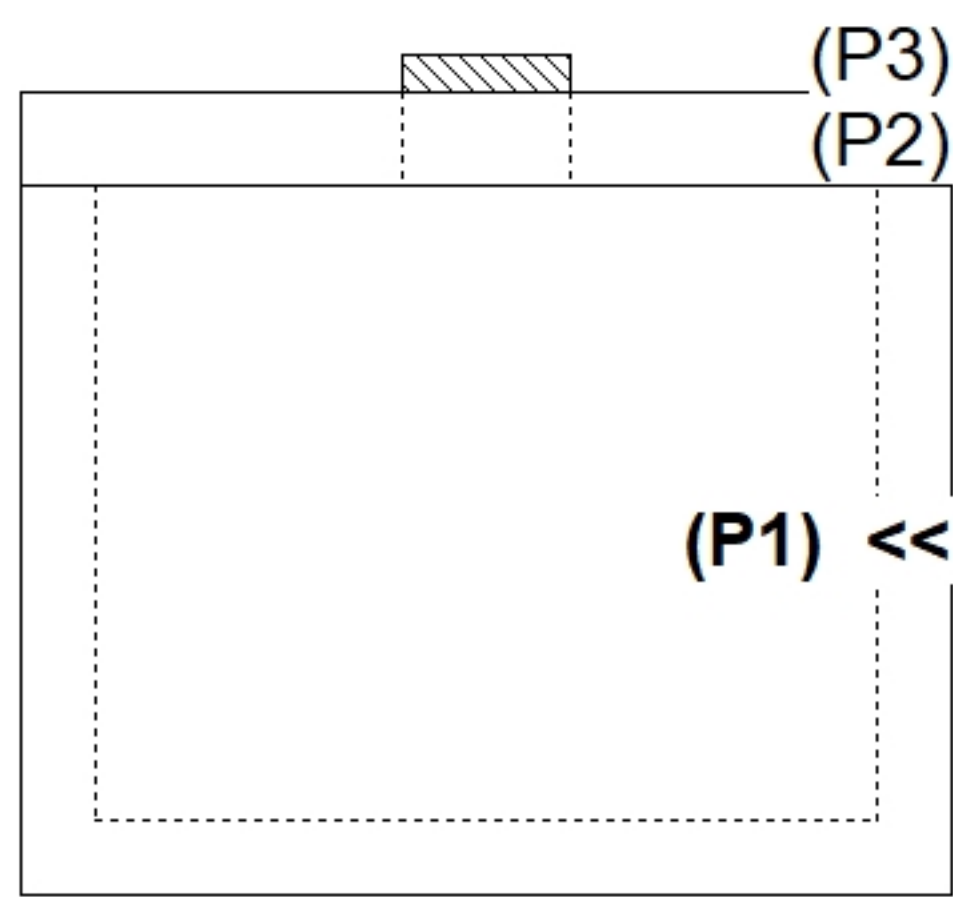
REINFORCING PER ASTM A615 (GRADE 60).
 - TOP SLAB = H20 LOADING.
 - RISER/WALLS (As .24)
 - FLOOR (As .47) #5 BARS AT 8" C.C.E.W.

Rim: 482.5' Rim to Invert: 6.45' Slack: 0.896" Sump: 5.496" Step Position: 102°

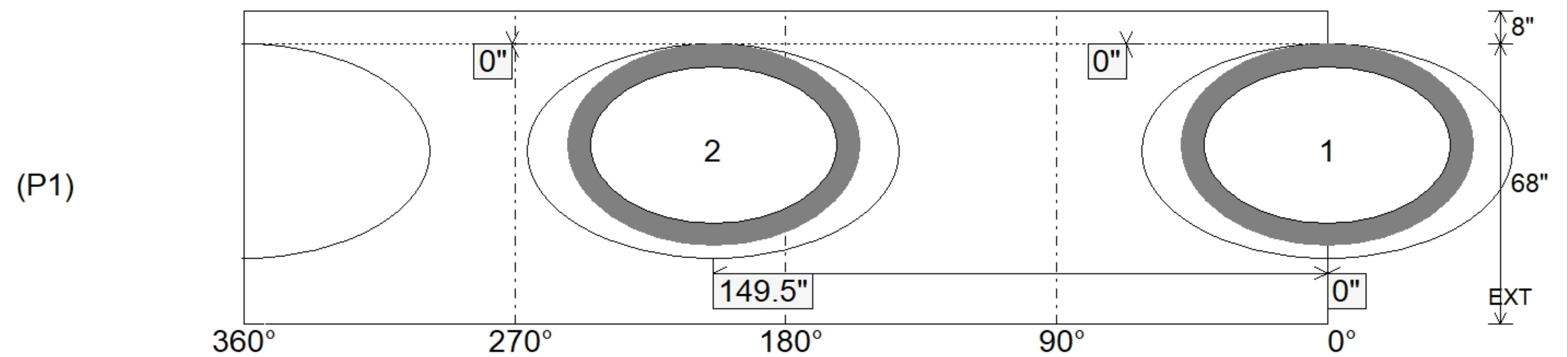
Position	Elev	Angle	Ext. (cw)	Pipe	Pipe OD	Connector	Hole	Horz Size	Up ()	Offset
Invert 1	476.05'	0°	0"	60" x 38" ELL RCP	71" x 49"	Hole 74 x 52	74" x 52"	90.541"	0"	0"
Invert 2	476.05'	204°	178"	60" x 38" ELL RCP	71" x 49"	Hole 74 x 52	74" x 52"	90.541"	0"	0"
Invert 3										
Invert 4										
Invert 5										
Invert 6										
Invert 7										
Invert 8										

RIGHT-SIDE UP VIEW (int. dimensions)

UPSIDE-DOWN VIEW (int. dimensions)



INSIDE WALL DIMENSIONS



Coating (Int): Coating (Ext):	Seam Up: Flat Seam Dn: n/a	Wall Thickness: 8" Floor Height: 8"	Height (Int): 68" Height (Ext): 76"	Weight (Net): 13700 lb Volume (Net): 3.5cu.yd
----------------------------------	-------------------------------	--	--	--