

**Job Name: 25-4299 - Seneca High School**  
**Job Location: Louisville, KY**  
**Contractor: Dan Cristiani Excavating Co. Inc.**

PC: J. Jarvis  
 TECH: J. Horsley  
 Plant: 100



Structure ID: **A19**  
 Spec: MSD  
 Type: CI DOUBLE  
 Size: 48"

Rim: 485.8'  
 Invert: 482.2'  
 Rim to Invert: 3.6'

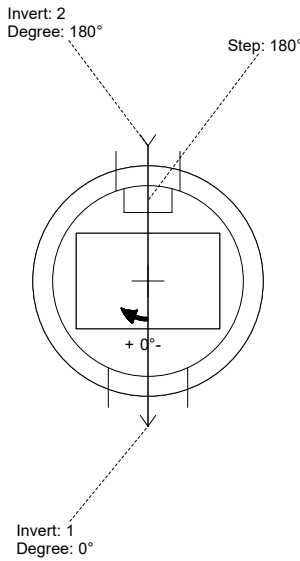
Sump: 0"  
 Floor (Top): 482.2'  
 Floor Height: 6"

Floor (Bot): 481.7'  
 Overall Height: 4.083'  
 Slack: 0.2"

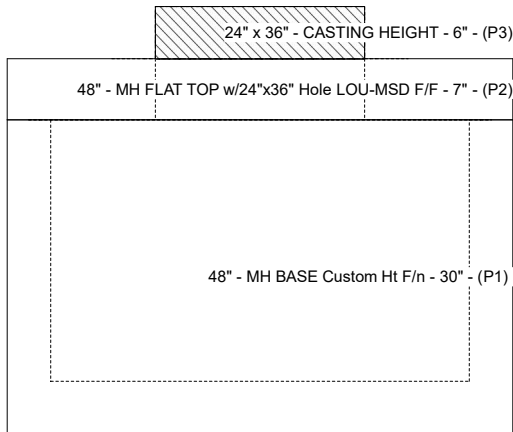
- Structure Notes:**
- PER LOUISVILLE MSD / ASTM C-478 SPECIFICATIONS
  - CONCRETE: 4,000 PSI AT 28 DAYS
  - REINFORCEMENT:
    - FLAT LID #6 BAR @ 4" C.C. E.W. (GRADE 60)
    - BASE: PER ASTM A615
  - NO STORM INVERT
  - STEPS AT 180 DEGREES
  - HOE 470 FRAME, GRATE, & CURB HOOD SUPPLIED BY OTHERS

**STRUCTURE SUMMARY:**

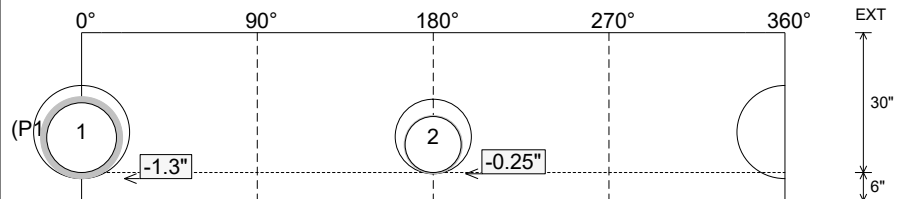
P3) 24" x 36" - CASTING HEIGHT - 6"	0 lb
P2) 48" - MH FLAT TOP w/24"x36" Hole LOU-MSD F/F - 7"	1044 lb
P1) 48" - MH BASE F/n - 30"	3205 lb
1) 48" - Conseal CS-102 1.00"	0 lb
1) 24" x 36" - Conseal CS-102 1.00"	0 lb
1) Hole - 20	0 lb
1) Hole - 16	0 lb
3) MH Step ML-10-TDS-NCR - 10"	0 lb
<b>Structure Total:</b>	<b>4249 lb</b>



Position	Elev	Angle	Pipe	Pipe OD	Hole	Connector	Up (↓)	Ref
Rim	485.8'							
Reducer								
Invert 1	482.2'	0°	15" HDPE	17.6"	20"	Hole 20	-1.3"	P1
Invert 2	482.2'	180°	12" PVC SDR35	12.5"	16"	Hole 16	-0.25"	P1
Invert 3								
Invert 4								
Invert 5								
Invert 6								
Invert 7								
Invert 8								



**Cast (Int. Dim.) - Interior Dimensions**



Submittal Drawing  
 2/9/2026 3:45:37 PM

SUBMITTAL  
 APPROVED BY: