

**Job Name: 25-4299 - Seneca High School**  
**Job Location: Louisville, KY**  
**Contractor: Dan Cristiani Excavating Co. Inc.**

PC: J. Jarvis  
 TECH: J. Horsley  
 Plant: 100

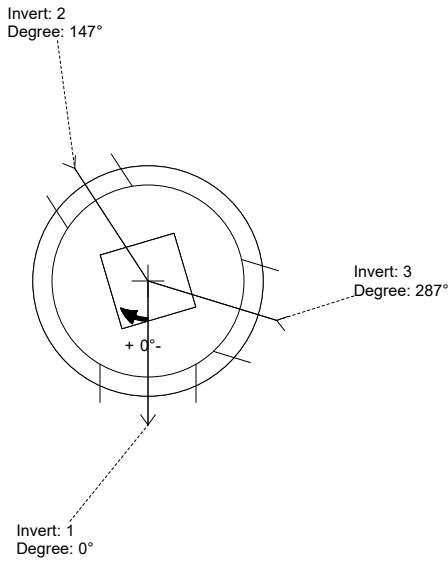


Structure ID: **A15**  
 Spec: MSD Rim: 486.6' Sump: 0" Floor (Bot): 482.383'  
 Type: CB SINGLE Invert: 483.05' Floor (Top): 483.05' Overall Height: 4.167'  
 Size: 60" Rim to Invert: 3.55' Floor Height: 8" Slack: 0.6"

- Structure Notes:**
- PER LOUISVILLE MSD / ASTM C-478 SPECIFICATIONS
  - CONCRETE: 4,000 PSI AT 28 DAYS
  - REINFORCEMENT:
    - FLAT LID #6 BAR @ 4" C.C. E.W. (GRADE 60)
    - BASE: PER ASTM A615
  - NO STORM INVERT
  - NO STEPS
  - HOE 280T FRAME & GRATE SUPPLIED BY OTHERS

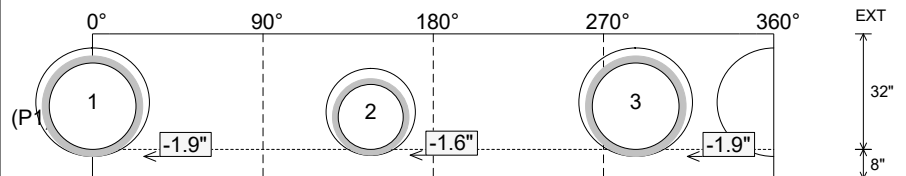
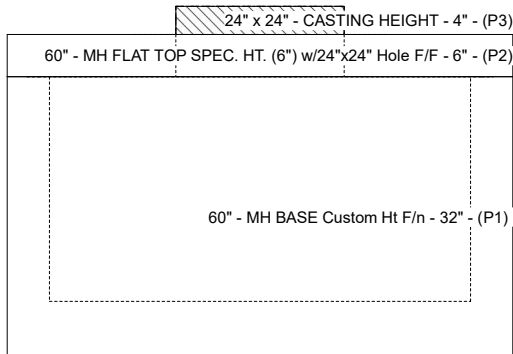
**STRUCTURE SUMMARY:**

P3) 24" x 24" - CASTING HEIGHT - 4"	0 lb
P2) 60" - MH FLAT TOP SPEC. HT. (6") w/24"x24" Hole F/F - 6"	1760 lb
P1) 60" - MH BASE Custom Ht F/n - 32"	5101 lb
1) 60" - Conseal CS-102 1.00"	0 lb
2) Hole - 30	0 lb
1) Hole - 24	0 lb
	-----
<b>Structure Total:</b>	<b>6861 lb</b>



Position	Elev	Angle	Pipe	Pipe OD	Hole	Connector	Up (L)	Ref
Rim	486.6'							
Reducer								
Invert 1	483.05'	0°	24" HDPE	27.8"	30"	Hole 30	-1.9"	P1
Invert 2	483.05'	147°	18" HDPE	21.2"	24"	Hole 24	-1.6"	P1
Invert 3	483.05'	287°	24" HDPE	27.8"	30"	Hole 30	-1.9"	P1
Invert 4								
Invert 5								
Invert 6								
Invert 7								
Invert 8								

**Cast (Int. Dim.) - Interior Dimensions**



Submittal Drawing  
 2/9/2026 3:45:35 PM

SUBMITTAL  
 APPROVED BY: