

Job Name: 25-4299 - Seneca High School
Job Location: Louisville, KY
Contractor: Dan Cristiani Excavating Co. Inc.

PC: J. Jarvis
 TECH: J. Horsley
 Plant: 100

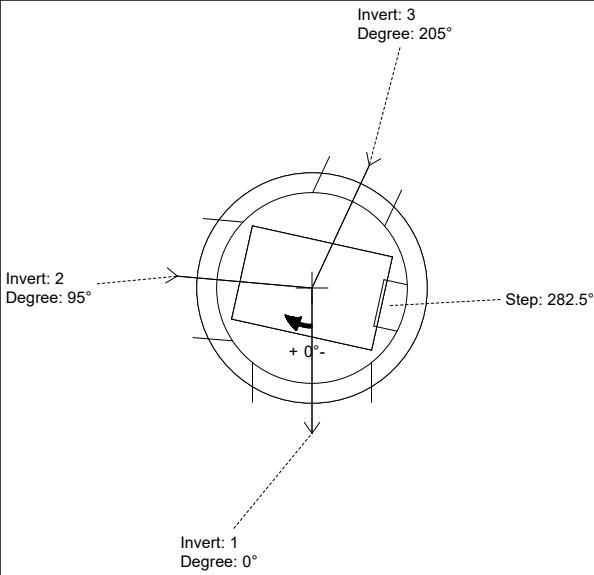


Structure ID: **A14**
 Spec: MSD Rim: 486.4' Sump: 1.9" Floor (Bot): 481.892'
 Type: CI DOUBLE Invert: 482.55' Floor (Top): 482.392' Overall Height: 4.5'
 Size: 48" Rim to Invert: 3.85' Floor Height: 6" Slack: 0.1"

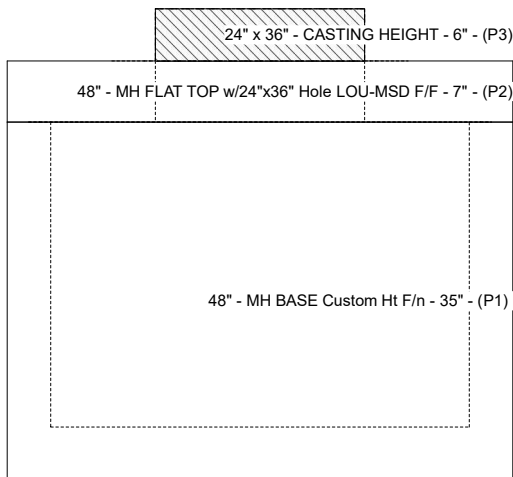
- Structure Notes:**
- PER LOUISVILLE MSD / ASTM C-478 SPECIFICATIONS
 - CONCRETE: 4,000 PSI AT 28 DAYS
 - REINFORCEMENT:
 - FLAT LID #6 BAR @ 4" C.C. E.W. (GRADE 60)
 - BASE: PER ASTM A615
 - NO STORM INVERT
 - STEPS AT 282.5 DEGREES
 - HOE 470 FRAME, GRATE, & CURB HOOD SUPPLIED BY OTHERS

STRUCTURE SUMMARY:

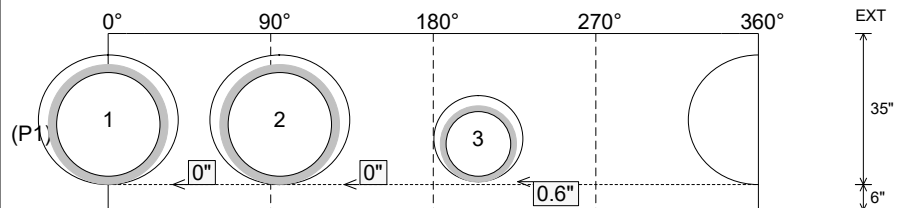
P3) 24" x 36" - CASTING HEIGHT - 6"	0 lb
P2) 48" - MH FLAT TOP w/24"x36" Hole LOU-MSD F/F - 7"	1044 lb
P1) 48" - MH BASE Custom Ht F/n - 35"	3008 lb
1) 48" - Conseal CS-102 1.00"	0 lb
1) 24" x 36" - Conseal CS-102 1.00"	0 lb
2) Hole - 30	0 lb
1) Hole - 20	0 lb
3) MH Step ML-10-TDS-NCR - 10"	0 lb
Structure Total:	4052 lb



Position	Elev	Angle	Pipe	Pipe OD	Hole	Connector	Up (Δ)	Ref
Rim	486.4'							
Reducer								
Invert 1	482.55'	0°	24" HDPE	27.8"	30"	Hole 30	0"	P1
Invert 2	482.55'	95°	24" HDPE	27.8"	30"	Hole 30	0"	P1
Invert 3	482.55'	205°	15" HDPE	17.6"	20"	Hole 20	0.6"	P1
Invert 4								
Invert 5								
Invert 6								
Invert 7								
Invert 8								



Cast (Int. Dim.) - Interior Dimensions



Submittal Drawing
 2/9/2026 3:45:34 PM

SUBMITTAL
 APPROVED BY: