

**Job Name: 25-4299 - Seneca High School**  
**Job Location: Louisville, KY**  
**Contractor: Dan Cristiani Excavating Co. Inc.**

PC: J. Jarvis  
 TECH: J. Horsley  
 Plant: 100



Structure ID: **A13**  
 Spec: MSD  
 Type: CI DOUBLE  
 Size: 48"

Rim: 486'  
 Invert: 482.05'  
 Rim to Invert: 3.95'

Sump: 1.9"  
 Floor (Top): 481.892'  
 Floor Height: 6"

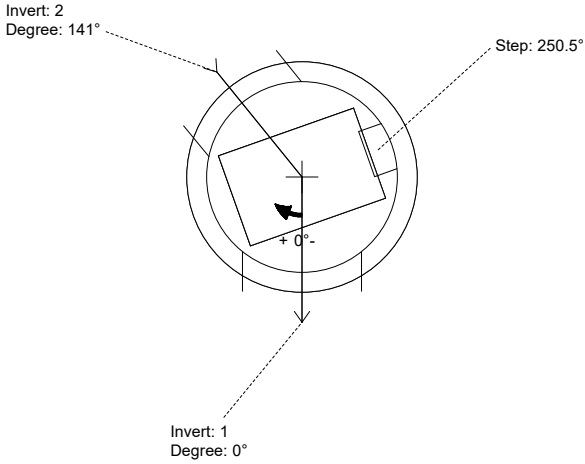
Floor (Bot): 481.392'  
 Overall Height: 4.583'  
 Slack: 0.3"

- Structure Notes:**
- PER LOUISVILLE MSD / ASTM C-478 SPECIFICATIONS
  - CONCRETE: 4,000 PSI AT 28 DAYS
  - REINFORCEMENT:
    - FLAT LID #6 BAR @ 4" C.C. E.W. (GRADE 60)
    - BASE: PER ASTM A615
  - NO STORM INVERT
  - STEPS AT 250.5 DEGREES
  - HOE 470 FRAME, GRATE, & CURB HOOD SUPPLIED BY OTHERS

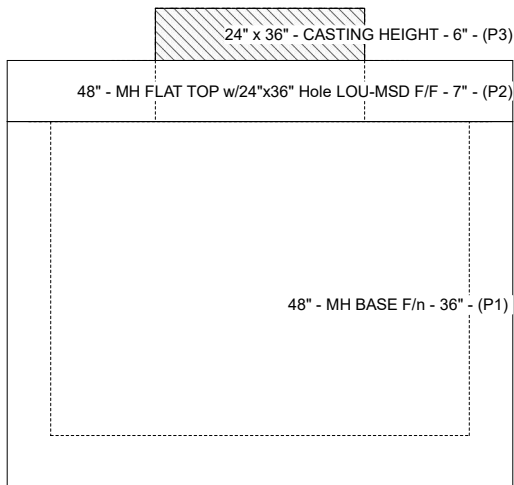
**STRUCTURE SUMMARY:**

P3) 24" x 36" - CASTING HEIGHT - 6" 0 lb  
 P2) 48" - MH FLAT TOP w/24"x36" Hole LOU-MSD F/F - 7" 1044 lb  
 P1) 48" - MH BASE F/n - 36" 3213 lb  
 1) 48" - Conseal CS-102 1.00" 0 lb  
 1) 24" x 36" - Conseal CS-102 1.00" 0 lb  
 2) Hole - 30 0 lb  
 3) MH Step ML-10-TDS-NCR - 10" 0 lb

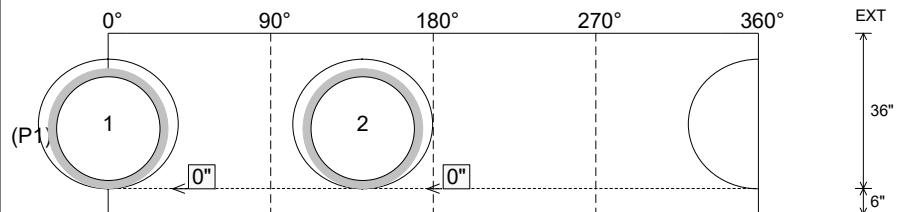
Structure Total: 4257 lb



Position	Elev	Angle	Pipe	Pipe OD	Hole	Connector	Up (Δ)	Ref
Rim	486'							
Reducer								
Invert 1	482.05'	0°	24" HDPE	27.8"	30"	Hole 30	0"	P1
Invert 2	482.05'	141°	24" HDPE	27.8"	30"	Hole 30	0"	P1
Invert 3								
Invert 4								
Invert 5								
Invert 6								
Invert 7								
Invert 8								



**Cast (Int. Dim.) - Interior Dimensions**



Submittal Drawing  
 2/9/2026 3:45:34 PM

SUBMITTAL  
 APPROVED BY: