

Job Name: 25-4299 - Seneca High School
Job Location: Louisville, KY
Contractor: Dan Cristiani Excavating Co. Inc.

PC: J. Jarvis
 TECH: J. Horsley
 Plant: 100

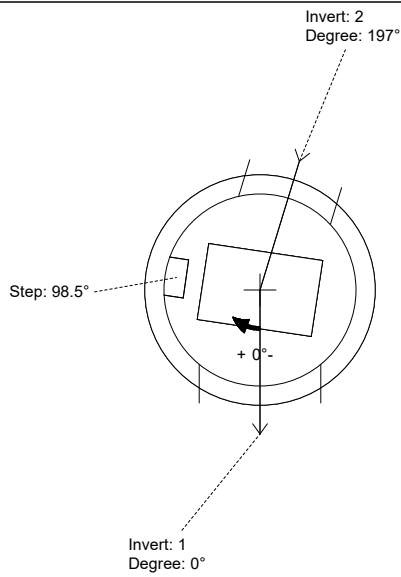


Structure ID: **A12**
 Spec: MSD Rim: 486' Sump: 2.55" Floor (Bot): 480.62'
 Type: CI DOUBLE Invert: 481.5' Floor (Top): 481.287' Overall Height: 5.333'
 Size: 60" Rim to Invert: 4.5' Floor Height: 8" Slack: 0.55"

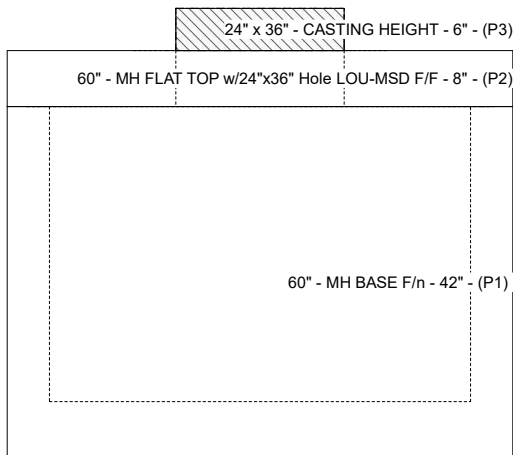
- Structure Notes:**
- PER LOUISVILLE MSD / ASTM C-478 SPECIFICATIONS
 - CONCRETE: 4,000 PSI AT 28 DAYS
 - REINFORCEMENT:
 - FLAT LID #6 BAR @ 4" C.C. E.W. (GRADE 60)
 - BASE: PER ASTM A615
 - NO STORM INVERT
 - STEPS AT 98.5 DEGREES
 - HOE 470 FRAME, GRATE, & CURB HOOD SUPPLIED BY OTHERS

STRUCTURE SUMMARY:

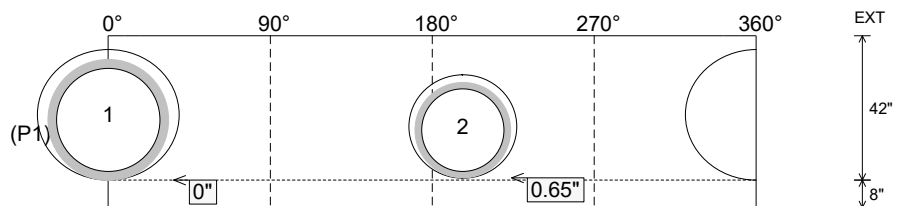
P3) 24" x 36" - CASTING HEIGHT - 6"	0 lb
P2) 60" - MH FLAT TOP w/24"x36" Hole LOU-MSD F/F - 8"	2322 lb
P1) 60" - MH BASE F/n - 42"	6138 lb
1) 60" - Conseal CS-102 1.00"	0 lb
1) 24" x 36" - Conseal CS-102 1.00"	0 lb
1) Hole - 38	0 lb
1) Hole - 30	0 lb
3) MH Step ML-10-TDS-NCR - 10"	0 lb
Structure Total:	8459 lb



Position	Elev	Angle	Pipe	Pipe OD	Hole	Connector	Up (L)	Ref
Rim	486'							
Reducer								
Invert 1	481.5'	0°	30" HDPE	35.1"	38"	Hole 38	0"	P1
Invert 2	481.5'	197°	24" HDPE	27.8"	30"	Hole 30	0.65"	P1
Invert 3								
Invert 4								
Invert 5								
Invert 6								
Invert 7								
Invert 8								



Cast (Int. Dim.) - Interior Dimensions



Submittal Drawing
 2/9/2026 3:45:33 PM

SUBMITTAL
 APPROVED BY: