

**Job Name: 25-4299 - Seneca High School**  
**Job Location: Louisville, KY**  
**Contractor: Dan Cristiani Excavating Co. Inc.**

PC: J. Jarvis  
 TECH: J. Horsley  
 Plant: 100



Structure ID: **A11**  
 Spec: Storm  
 Type: STM.MH  
 Size: 60"

Rim: 487.7'  
 Invert: 481.05'  
 Rim to Invert: 6.65'

Sump: 4"  
 Floor (Top): 480.717'  
 Floor Height: 8"

Floor (Bot): 480.05'  
 Overall Height: 7.583'  
 Slack: 0.8"

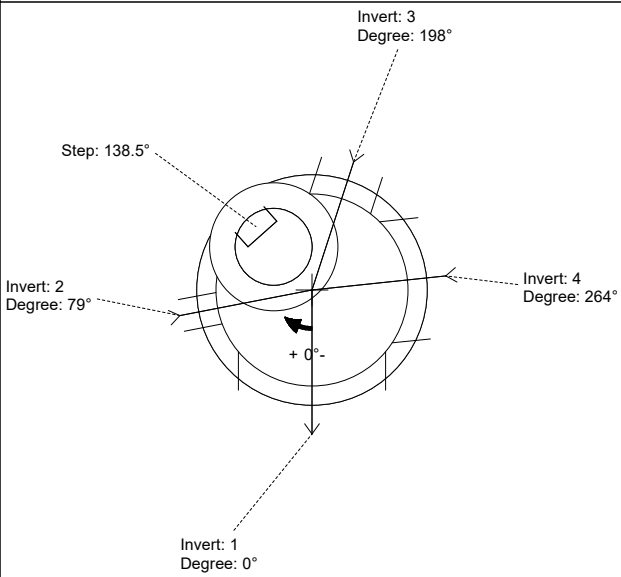
- Structure Notes:**
- PER LOUISVILLE MSD / ASTM C-478 SPECIFICATIONS
  - CONCRETE: 4,000 PSI AT 28 DAYS
  - REINFORCEMENT:
    - FLAT LID #6 BAR @ 4" C.C. E.W. (GRADE 60)
    - BASE: PER ASTM A615
  - NO STORM INVERT
  - STEPS AT 138.5 DEGREES
  - HOE MC-420 FRAME & COVER "STORM LOU-MSD" SUPPLIED BY OTHERS

**STRUCTURE SUMMARY:**

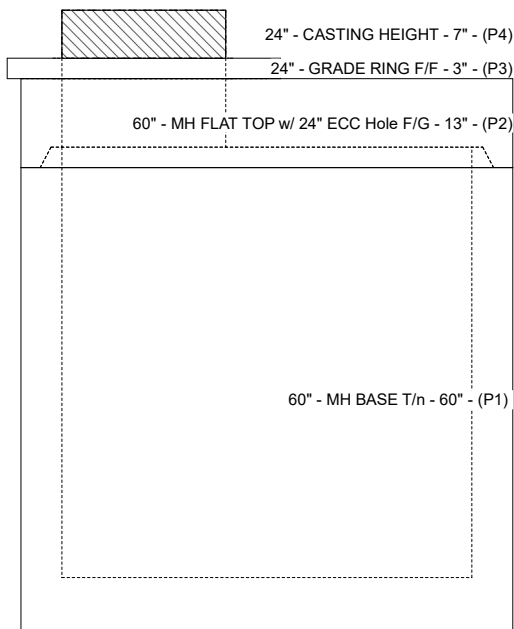
P4) 24" - CASTING HEIGHT - 7" 0 lb  
 P3) 24" - GRADE RING F/F - 3" 202 lb  
 P2) 60" - MH FLAT TOP w/ 24" ECC Hole F/G - 13" 2869 lb  
 P1) 60" - MH BASE T/n - 60" 7256 lb

1) 60" - Conseal CS-102 1.00" 0 lb  
 1) Hole - 46 0 lb  
 1) Hole - 10 0 lb  
 1) Hole - 20 0 lb  
 1) Hole - 38 0 lb  
 5) MH Step ML-10-TDS-NCR - 10" 0 lb

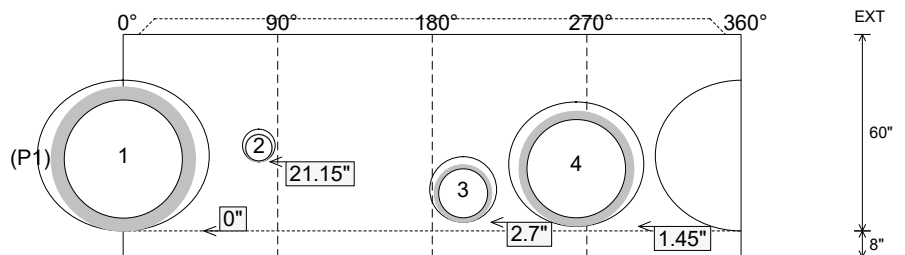
Structure Total: 10327 lb



Position	Elev	Angle	Pipe	Pipe OD	Hole	Connector	Up (")	Ref
Rim	487.7'							
Reducer								
Invert 1	481.05'	0°	36" RCP B WALL	44"	46"	Hole 46	0"	P1
Invert 2	482.5'	79°	8" PVC SDR35	8.5"	10"	Hole 10	21.15"	P1
Invert 3	481.05'	198°	15" HDPE	17.6"	20"	Hole 20	2.7"	P1
Invert 4	481.05'	264°	30" HDPE	35.1"	38"	Hole 38	1.45"	P1
Invert 5								
Invert 6								
Invert 7								
Invert 8								



**Cast (Int. Dim.) - Interior Dimensions**



Submittal Drawing  
 2/9/2026 3:45:33 PM

SUBMITTAL  
 APPROVED BY: