

Job Name: 25-4299 - Seneca High School
 Job Location: Louisville, KY
 Contractor: Dan Cristiani Excavating Co. Inc.

Plant: 100
 2/10/2026 8:25:05 AM

Tech: J. Horsley
 PC: J. Jarvis



Structure ID: A11

P2 MH060LD13

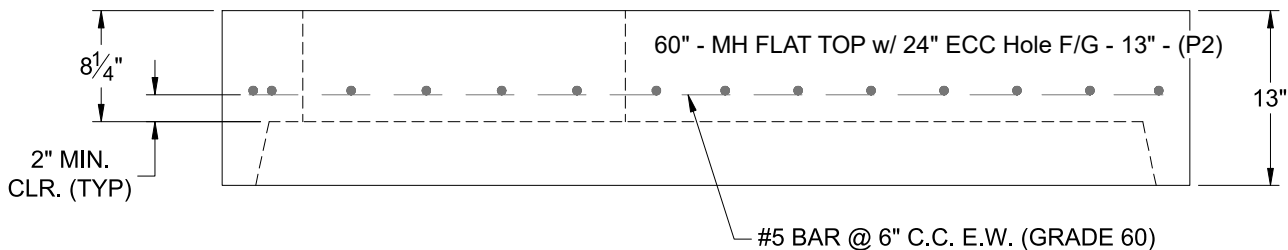
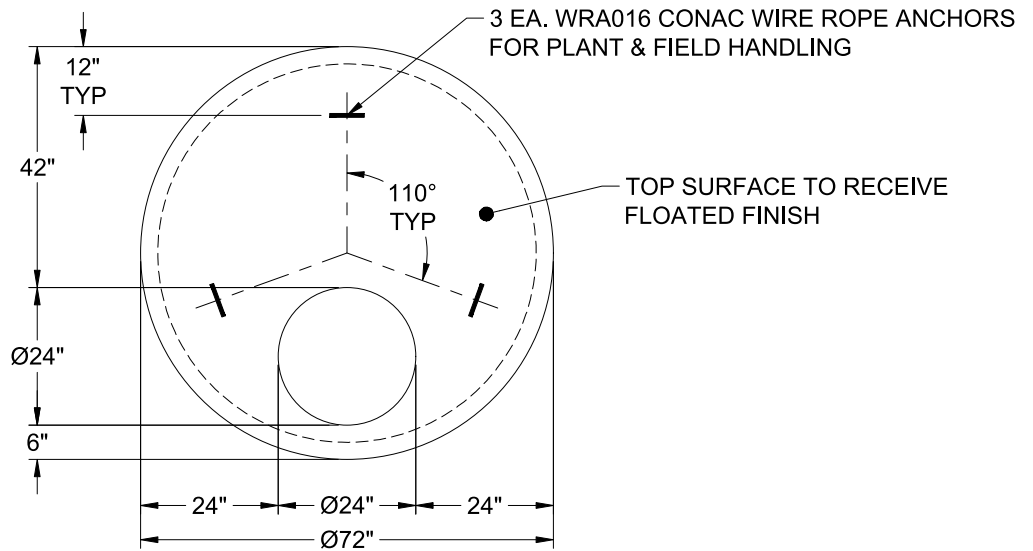
MH FLAT TOP w/ 24" ECC Hole F/G

- P4) 24" - CASTING HEIGHT - 7"
- P3) 24" - GRADE RING F/F - 3"
- P2) 60" - MH FLAT TOP w/ 24" ECC Hole F/G - 13"
- P1) 60" - MH BASE T/n - 60"
- 1) 60" - Conseal CS-102 1.00"
- 1) Hole - 46
- 1) Hole - 10
- 1) Hole - 20
- 1) Hole - 38
- 5) MH Step ML-10-TDS-NCR - 10"

0 lb
 202 lb
 2869 lb
 7256 lb
 0 lb
 0 lb
 0 lb
 0 lb
 0 lb
 0 lb
 0 lb

 Structure Total: 10327 lb

- Structure Notes:
1. PER LOUISVILLE MSD / ASTM C-478 SPECIFICATIONS
 2. CONCRETE: 4,000 PSI AT 28 DAYS
 3. REINFORCEMENT: #6 BAR @ 4" C.C. E.W. (GRADE 60) - 2" MIN. REBAR CLEARANCE (TYP)
 4. HOE MC-420 FRAME & COVER "STORM LOU-MSD" SUPPLIED BY OTHERS
 5. LIFTERS: 3 EA. WRA016 CONAC WIRE ROPE ANCHORS FOR PLANT & FIELD HANDLING
 6. TOP SURFACE TO RECEIVE FLOATED FINISH



Coating (Int): Coating (Ext):	Seam Up: Flat Seam Dn: Groove	Wall Thickness: 6"	Height (Ext): 13"	Weight (Net): 2869 lb Volume (Net): 0.73cu.yd
----------------------------------	----------------------------------	--------------------	-------------------	--