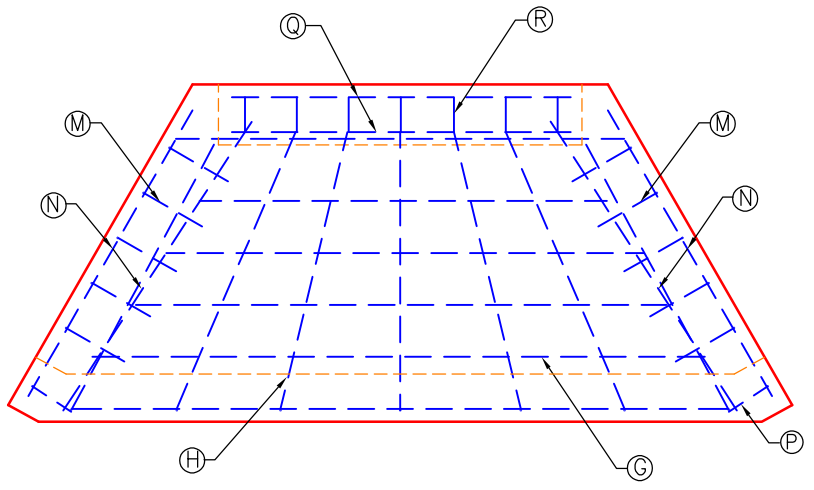
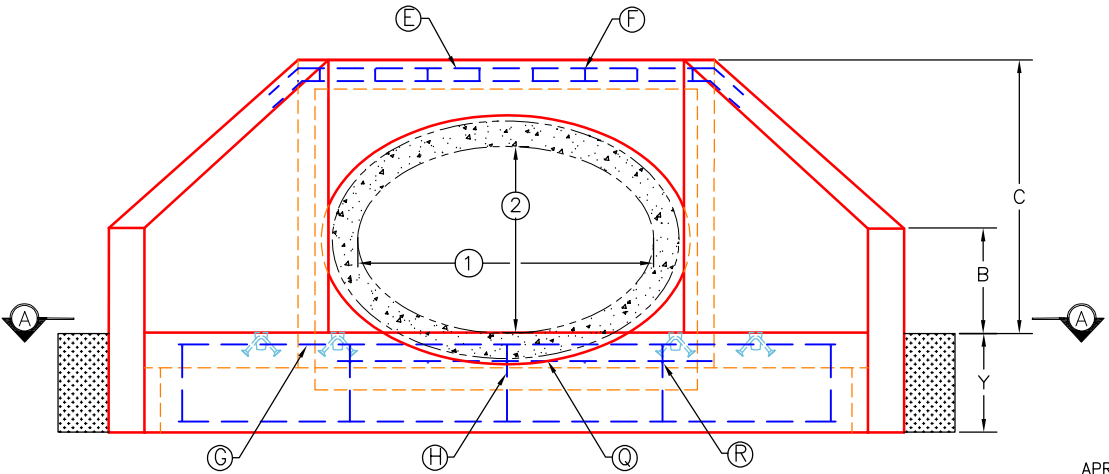


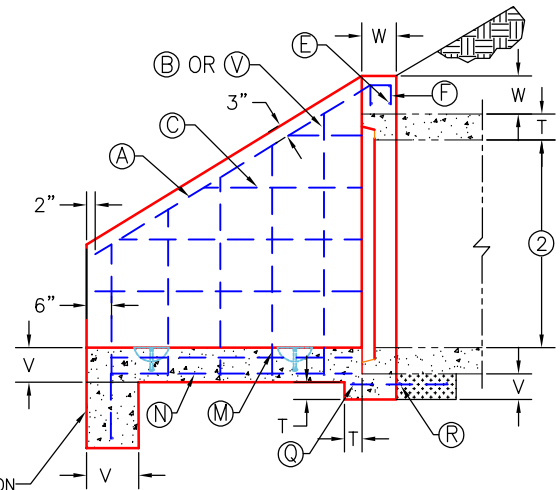
PLAN VIEW



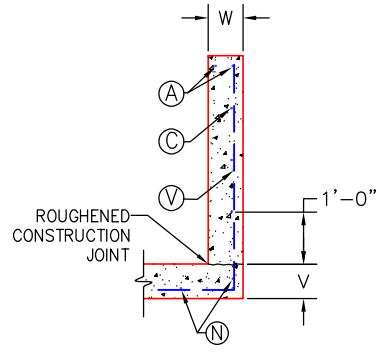
SECTION A-A



FRONT ELEVATION



SECTION B-B



WING SECTION
30" TO 72" NON-CIRCULAR,
EQUIVALENT PIPE

~NOTES:

1. SPAN OF NON-CIRCULAR PIPE.
2. RISE OF NON-CIRCULAR PIPE.
3. [Pattern] APPLIES TO 66" Ø EQ. AND GREATER.
4. FOR DIMENSIONS, QUANTITIES AND BILL OF REINFORCEMENT, SEE CURRENT STANDARD DRAWINGS: RDH-200 AND RDH-300 SERIES
5. DIMENSIONS FROM FACE OF CONCRETE TO STEEL SHALL BE 2" CLEAR DISTANCE.
6. ENCIRCLED LETTERS, ○, INDICATE STEEL BAR LOCATIONS.
7. BARS ○, ●, ○, ○, ○, ○, ○ ARE SPACED 12" O.C. ALL OTHER BARS SHALL BE EVENLY SPACED.
8. BARS ○, ○ AND ○ ARE PLACED IN ORDER OF INCREASING LENGTHS, BEGINNING AT END OF EACH WING.
9. BARS ○ ARE PLACED IN ORDER OF INCREASING LENGTHS, BEGINNING AT THE TOP OF EACH WING.
10. HEADWALLS LOCATED AT SHOULDER EDGE SHALL BE PARALLEL TO THE CENTERLINE OF ROADWAY.
11. APRON BETWEEN WINGS SHALL BE SLOPED IN DIRECTION OF FLOW EQUAL TO SLOPE OF PIPE. FRONT FACE OF HEADWALL AND ENDS OF WINGS SHALL REMAIN VERTICAL.

Job Name: 25-4299 - Seneca High School
Structure ID: A1
P1 HWPC3860
Description: 60"X38" HW Pipe Culvert

INFRASTRUCTURE PRECAST, INC.	
981 WEST 7TH ST., BEAVER DAM, KY. 42320 PHONE: (270) 363-2238, FAX: (270) 298-7424	
KYTC 30"-72" EQ. PRECAST PIPE CULVERT HEADWALLS - 0° SKEW (FOR NON-CIRCULAR, EQUIVALENT PIPE)	
DRAWING NO.: ET-KYTC-110	DATE: 06-05-25
REVIEWED BY: J.H. ROSS, PE	DRAWN BY: N. RICHARDS
WEB: WWW.ICASTINC.COM	SCALE: NTS



DIMENSIONS	NON-CIRCULAR PIPE; EQUIVALENT ROUND SIZES								DIMENSIONS
	30" (24"x38")	36" (29"x45")	42" (34"x53")	48" (38"x60")	54" (43"x68")	60" (48"x76")	66" (53"x83")	72" (58"x91")	
A	3'-4"	3'-10"	4'-4"	4'-9"	5'-3"	5'-9"	6'-3"	6'-9"	A
B	1'-0"	1'-3"	1'-5"	1'-7"	1'-10"	2'-0"	2'-3"	2'-5"	B
C	3'-0"	3'-6"	3'-11"	4'-4"	4'-9"	5'-3"	5'-8"	6'-2"	C
E	3'-10"	4'-6"	5'-3"	5'-11"	6'-8"	7'-5"	8'-1"	8'-10"	E
F	3'-10"	4'-5"	5'-0"	5'-6"	6'-1"	6'-8"	7'-3"	7'-10"	F
G	3'-10"	4'-5"	5'-0"	5'-6"	6'-1"	6'-8"	7'-3"	7'-10"	G
H	7'-8"	9'-0"	10'-4"	11'-4"	12'-8"	14'-0"	15'-4"	16'-8"	H
J	3'-10"	4'-6"	5'-2"	5'-8"	6'-4"	7'-0"	7'-8"	8'-4"	J
M	0'-5"								M
N	0'-5"								N
T	0'-3.75"	0'-4.5"	0'-5"	0'-5.5"	0'-6"	0'-6.5"	0'-7"	0'-7.5"	T
V	0'-8"								V
W	0'-8"								W
Y	2'-0"								Y
CONCRETE (LBS.)	6,030	7,712	9,514	11,275	13,507	15,975	18,557	21,454	CONCRETE (LBS.)
REINFORCING STEEL (LBS.)	137	157	197	220	261	305	341	401	REINFORCING STEEL (LBS.)

DIMENSIONS AND QUANTITIES ARE BASED ON ONE HEADWALL & OPENING FOR ELLIPTICAL CONCRETE PIPE.

Job Name: 25-4299 - Seneca High School
 Structure ID: A1
 P1 HWPC3860
 Description: 60"x38" HW Pipe Culvert

INFRASTRUCTURE PRECAST, INC.	
981 WEST 7TH ST., BEAVER DAM, KY. 42320 PHONE: (270) 363-2238, FAX: (270) 298-7424	
KYTC 30"-72" PRECAST PIPE CULVERT HEADWALLS - 0° SKEW (FOR NON-CIRCULAR, EQUIVALENT PIPE)	
DRAWING NO.: ET-KYTC-110	DATE: 06-05-25
REVIEWED BY: J.H. ROSS, PE	DRAWN BY: N. RICHARDS
WEB: WWW.ICASTINC.COM	SCALE: NTS

