

**Job Name: 25-4299 - Seneca High School**  
**Job Location: Louisville, KY**  
**Contractor: Dan Cristiani Excavating Co. Inc.**

PC: J. Jarvis  
 TECH: J. Horsley  
 Plant: 100



Structure ID: **8+33.79**  
 Spec: Sanitary  
 Type: SAN.MH  
 Size: 48"

Rim: 486.25'  
 Invert: 477.95'  
 Rim to Invert: 8.3'

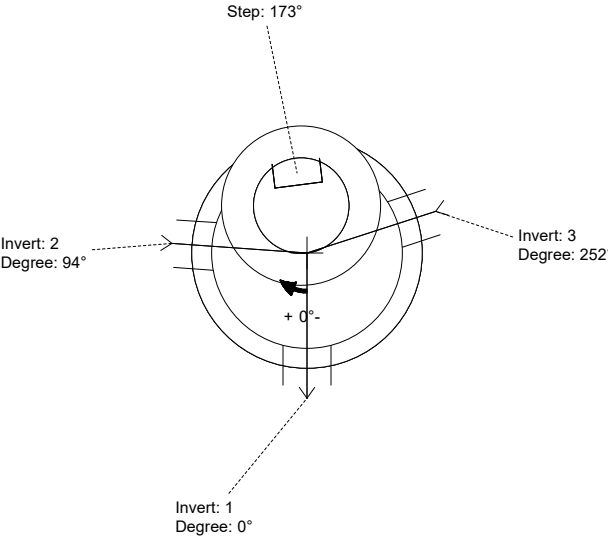
Sump: 3"  
 Floor (Top): 477.7'  
 Floor Height: 6"

Floor (Bot): 477.2'  
 Overall Height: 8.917'  
 Slack: 1.6"

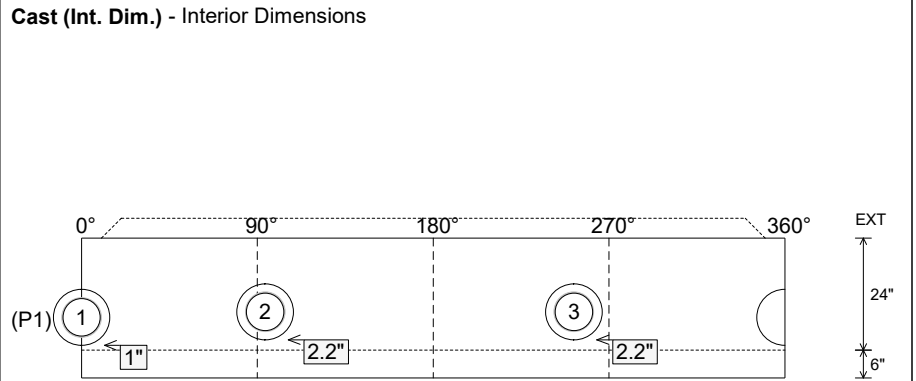
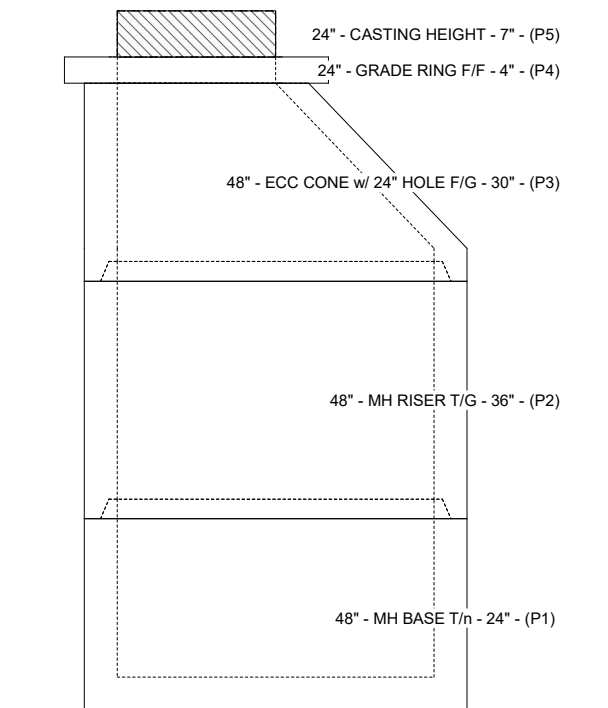
- Structure Notes:**
1. PER LOUISVILLE MSD / ASTM C-478 SPECIFICATIONS
  2. CONCRETE: 4,000 PSI AT 28 DAYS
  3. REINFORCEMENT: PER ASTM A615
  4. INVERT CHANNEL REQUIRED
  5. CRETEX CHIMNEY SEAL SUPPLIED BY ICAST
  6. STEPS AT 173 DEGREES
  7. HOE MC-420 FRAME & COVER "SANITARY LOU-MSD" SUPPLIED BY OTHERS

**STRUCTURE SUMMARY:**

P5) 24" - CASTING HEIGHT - 7"	0 lb
P4) 24" - GRADE RING F/F - 4"	270 lb
P3) 48" - ECC CONE w/ 24" HOLE F/G - 30"	2050 lb
P2) 48" - MH RISER T/G - 36"	2515 lb
P1) 48" - MH BASE T/n - 24"	2863 lb
1) 48" - MH INVERT CHANNEL - FULL HEIGHT	1440 lb
1) JOINT WRAP - 0.065"x6"x50' CONSEAL CS212	0 lb
1) JOINT WRAP PRIMER - CONSEAL CS-75 (1 gal.)	0 lb
1) Chimney Seal - Cretex Chimney Seal	10 lb
2) 48" - Conseal CS-102 1.00" (Double)	0 lb
3) PSX - 12-08 NYLO	24 lb
7) MH Step ML-10-TDS-NCR - 10"	0 lb
<b>Structure Total:</b>	<b>9172 lb</b>



Position	Elev	Angle	Pipe	Pipe OD	Hole	Connector	Up (L)	Ref
Rim	486.25'							
Reducer								
Invert 1	477.95'	0°	8" PVC SDR35	8.5"	12"	PSX 12-08 NYLO	1"	P1
Invert 2	478.05'	94°	8" PVC SDR35	8.5"	12"	PSX 12-08 NYLO	2.2"	P1
Invert 3	478.05'	252°	8" PVC SDR35	8.5"	12"	PSX 12-08 NYLO	2.2"	P1
Invert 4								
Invert 5								
Invert 6								
Invert 7								
Invert 8								



Submittal Drawing  
 2/10/2026 7:50:27 AM

SUBMITTAL  
 APPROVED BY: