

Job Name: 25-4299 - Seneca High School
Job Location: Louisville, KY
Contractor: Dan Cristiani Excavating Co. Inc.

PC: J. Jarvis
 TECH: J. Horsley
 Plant: 100



Structure ID: 15+22.53

Spec: Sanitary
 Type: SAN.MH
 Size: 48"

Rim: 488.15'
 Invert: 482.25'
 Rim to Invert: 5.9'

Sump: 3"
 Floor (Top): 482'
 Floor Height: 6"

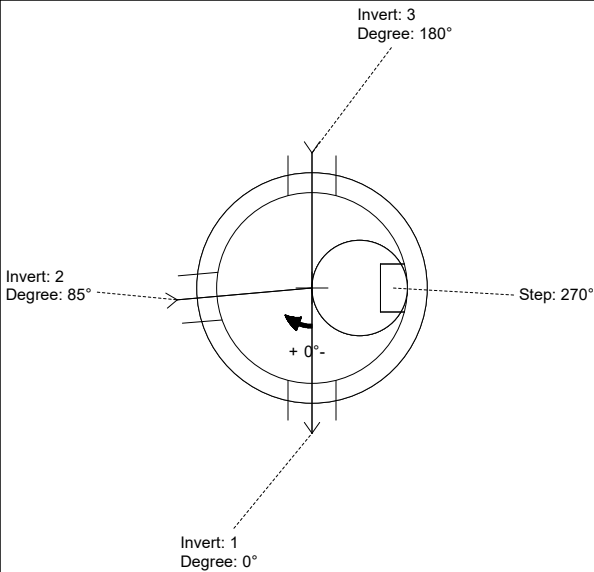
Floor (Bot): 481.5'
 Overall Height: 6.583'
 Slack: 0.8"

Structure Notes:

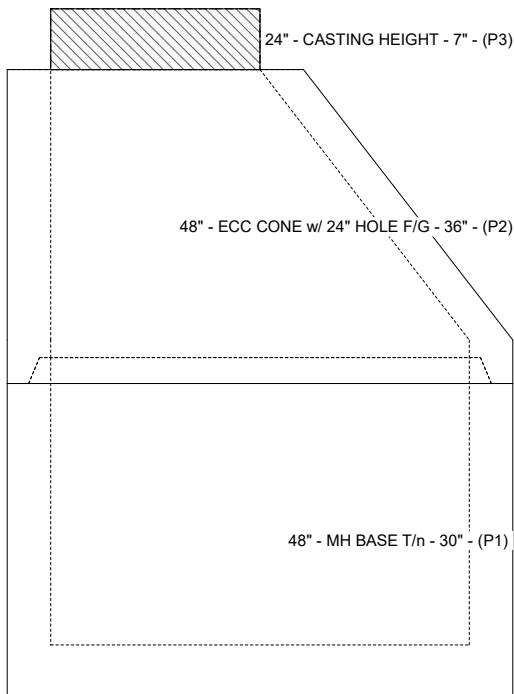
1. PER LOUISVILLE MSD / ASTM C-478 SPECIFICATIONS
2. CONCRETE: 4,000 PSI AT 28 DAYS
3. REINFORCEMENT: PER ASTM A615
4. INVERT CHANNEL REQUIRED
5. CRETEX CHIMNEY SEAL SUPPLIED BY ICAST
6. STEPS AT 270 DEGREES
7. HOE MC-420 FRAME & COVER "SANITARY LOU-MSD" SUPPLIED BY OTHERS

STRUCTURE SUMMARY:

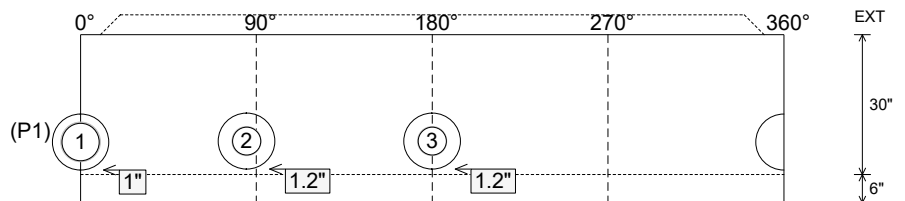
P3) 24" - CASTING HEIGHT - 7"	0 lb
P2) 48" - ECC CONE w/ 24" HOLE F/G - 36"	3000 lb
P1) 48" - MH BASE T/n - 30"	3282 lb
1) 48" - MH INVERT CHANNEL - FULL HEIGHT	1440 lb
1) JOINT WRAP - 0.065"x6"x50' CONSEAL CS212	0 lb
1) JOINT WRAP PRIMER - CONSEAL CS-75 (1 gal.)	0 lb
1) Chimney Seal - Cretex Chimney Seal	10 lb
1) 48" - Conseal CS-102 1.00" (Double)	0 lb
1) PSX - 12-08 NYLO	8 lb
2) PSX - 12-06 NYLO	16 lb
5) MH Step ML-10-TDS-NCR - 10"	0 lb
Structure Total:	7756 lb



Position	Elev	Angle	Pipe	Pipe OD	Hole	Connector	Up (L)	Ref
Rim	488.15'							
Reducer								
Invert 1	482.25'	0°	8" PVC SDR35	8.5"	12"	PSX 12-08 NYLO	1"	P1
Invert 2	482.35'	85°	6" PVC SDR35	6.25"	12"	PSX 12-06 NYLO	1.2"	P1
Invert 3	482.35'	180°	6" PVC SDR35	6.25"	12"	PSX 12-06 NYLO	1.2"	P1
Invert 4								
Invert 5								
Invert 6								
Invert 7								
Invert 8								



Cast (Int. Dim.) - Interior Dimensions



Submittal Drawing
 2/10/2026 7:50:30 AM

SUBMITTAL
 APPROVED BY: