

Job Name: 25-4299 - Seneca High School
Job Location: Louisville, KY
Contractor: Dan Cristiani Excavating Co. Inc.

PC: J. Jarvis
 TECH: J. Horsley
 Plant: 100



Structure ID: **12+55.54**
 Spec: Sanitary
 Type: SAN.MH
 Size: 48"

Rim: 487.4'
 Invert: 480.48'
 Rim to Invert: 6.92'

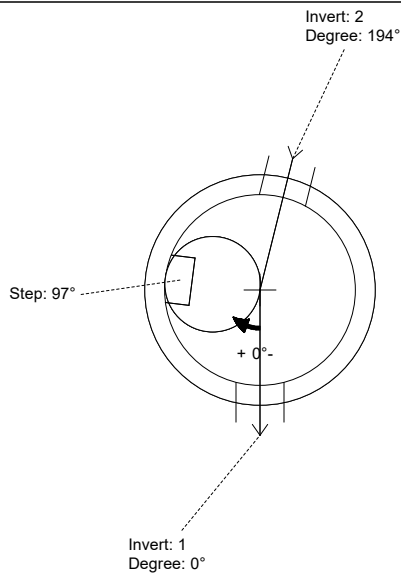
Sump: 3"
 Floor (Top): 480.23'
 Floor Height: 6"

Floor (Bot): 479.73'
 Overall Height: 7.583'
 Slack: 1.04"

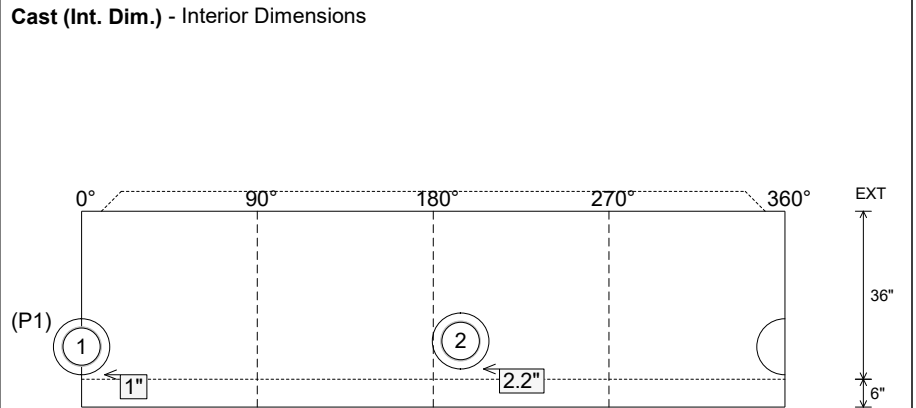
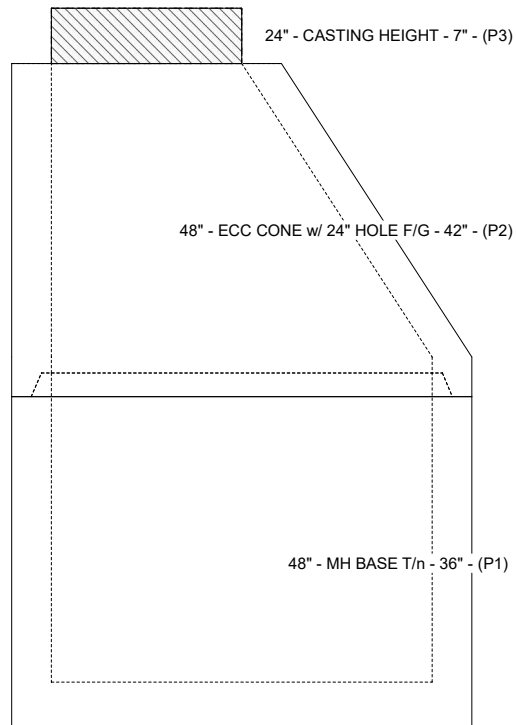
- Structure Notes:**
1. PER LOUISVILLE MSD / ASTM C-478 SPECIFICATIONS
 2. CONCRETE: 4,000 PSI AT 28 DAYS
 3. REINFORCEMENT: PER ASTM A615
 4. INVERT CHANNEL REQUIRED
 5. CRETEX CHIMNEY SEAL SUPPLIED BY ICAST
 6. STEPS AT 97 DEGREES
 7. HOE MC-420 FRAME & COVER "SANITARY LOU-MSD" SUPPLIED BY OTHERS

STRUCTURE SUMMARY:

| | |
|---|----------------|
| P3) 24" - CASTING HEIGHT - 7" | 0 lb |
| P2) 48" - ECC CONE w/ 24" HOLE F/G - 42" | 3200 lb |
| P1) 48" - MH BASE T/n - 36" | 3749 lb |
| 1) 48" - MH INVERT CHANNEL - FULL HEIGHT | 1440 lb |
| 1) JOINT WRAP - 0.065"x6"x50' CONSEAL CS212 | 0 lb |
| 1) JOINT WRAP PRIMER - CONSEAL CS-75 (1 gal.) | 0 lb |
| 1) Chimney Seal - Cretex Chimney Seal | 10 lb |
| 1) 48" - Conseal CS-102 1.00" (Double) | 0 lb |
| 2) PSX - 12-08 NYLO | 16 lb |
| 6) MH Step ML-10-TDS-NCR - 10" | 0 lb |
| Structure Total: | 8415 lb |



| Position | Elev | Angle | Pipe | Pipe OD | Hole | Connector | Up (L) | Ref |
|----------|---------|-------|--------------|---------|------|----------------|--------|-----|
| Rim | 487.4' | | | | | | | |
| Reducer | | | | | | | | |
| Invert 1 | 480.48' | 0° | 8" PVC SDR35 | 8.5" | 12" | PSX 12-08 NYLO | 1" | P1 |
| Invert 2 | 480.58' | 194° | 8" PVC SDR35 | 8.5" | 12" | PSX 12-08 NYLO | 2.2" | P1 |
| Invert 3 | | | | | | | | |
| Invert 4 | | | | | | | | |
| Invert 5 | | | | | | | | |
| Invert 6 | | | | | | | | |
| Invert 7 | | | | | | | | |
| Invert 8 | | | | | | | | |



Submittal Drawing
 2/10/2026 7:50:29 AM

SUBMITTAL
 APPROVED BY: