

**Job Name: 25-4299 - Seneca High School**  
**Job Location: Louisville, KY**  
**Contractor: Dan Cristiani Excavating Co. Inc.**

PC: J. Jarvis  
 TECH: J. Horsley  
 Plant: 100



Structure ID: **10+66.22**

Spec: Sanitary  
 Type: SAN.MH  
 Size: 48"

Rim: 489'  
 Invert: 479.35'  
 Rim to Invert: 9.65'

Sump: 3"  
 Floor (Top): 479.1'  
 Floor Height: 6"

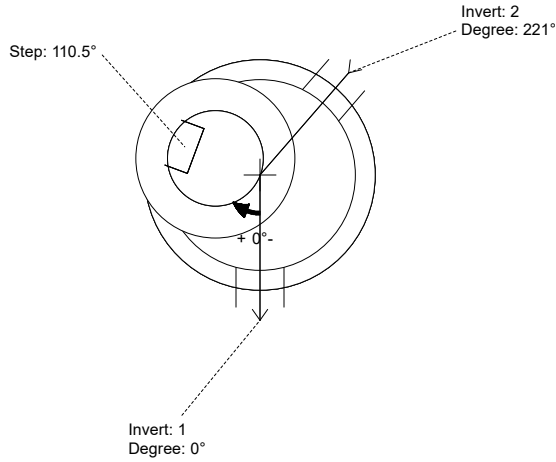
Floor (Bot): 478.6'  
 Overall Height: 10.333'  
 Slack: 0.8"

**Structure Notes:**

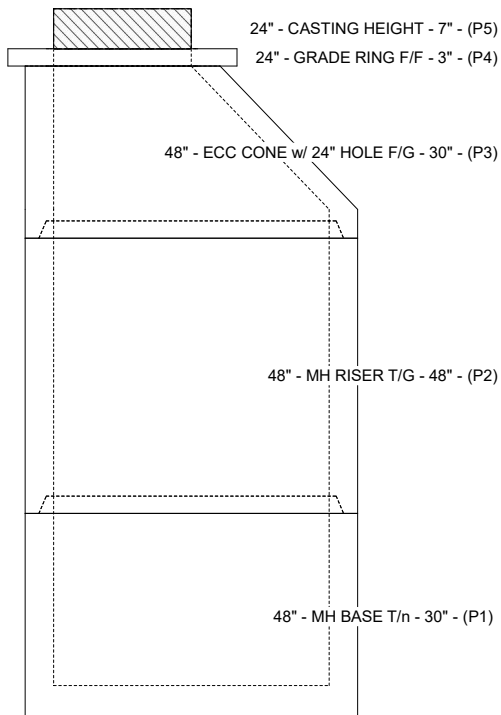
1. PER LOUISVILLE MSD / ASTM C-478 SPECIFICATIONS
2. CONCRETE: 4,000 PSI AT 28 DAYS
3. REINFORCEMENT: PER ASTM A615
4. INVERT CHANNEL REQUIRED
5. CRETEX CHIMNEY SEAL SUPPLIED BY ICAST
6. STEPS AT 110.5 DEGREES
7. HOE MC-420 FRAME & COVER "SANITARY LOU-MSD" SUPPLIED BY OTHERS

**STRUCTURE SUMMARY:**

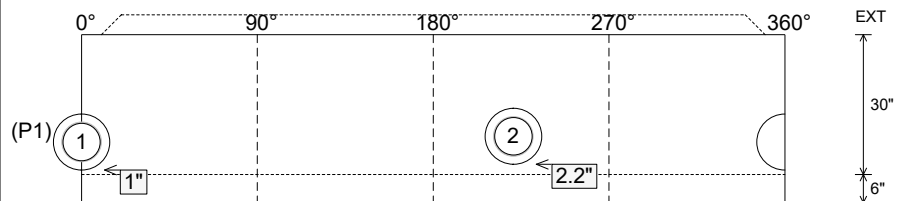
- P5) 24" - CASTING HEIGHT - 7" 0 lb
  - P4) 24" - GRADE RING F/F - 3" 202 lb
  - P3) 48" - ECC CONE w/ 24" HOLE F/G - 30" 2050 lb
  - P2) 48" - MH RISER T/G - 48" 3353 lb
  - P1) 48" - MH BASE T/n - 30" 3330 lb
  - 1) 48" - MH INVERT CHANNEL - FULL HEIGHT 1440 lb
  - 1) JOINT WRAP - 0.065"x6"x50' CONSEAL CS212 0 lb
  - 1) JOINT WRAP PRIMER - CONSEAL CS-75 (1 gal.) 0 lb
  - 1) Chimney Seal - Cretex Chimney Seal 10 lb
  - 2) 48" - Conseal CS-102 1.00" (Double) 0 lb
  - 2) PSX - 12-08 NYLO 16 lb
  - 9) MH Step ML-10-TDS-NCR - 10" 0 lb
- Structure Total: **10402 lb**



Position	Elev	Angle	Pipe	Pipe OD	Hole	Connector	Up (L)	Ref
Rim	489'							
Reducer								
Invert 1	479.35'	0°	8" PVC SDR35	8.5"	12"	PSX 12-08 NYLO	1"	P1
Invert 2	479.45'	221°	8" PVC SDR35	8.5"	12"	PSX 12-08 NYLO	2.2"	P1
Invert 3								
Invert 4								
Invert 5								
Invert 6								
Invert 7								
Invert 8								



**Cast (Int. Dim.) - Interior Dimensions**



Submittal Drawing  
 2/10/2026 7:50:28 AM

SUBMITTAL  
 APPROVED BY: