

Job Name: 25-4299 - Seneca High School
Job Location: Louisville, KY
Contractor: Dan Cristiani Excavating Co. Inc.

PC: J. Jarvis
 TECH: J. Horsley
 Plant: 100



Structure ID: **0+00 C**
 Spec: Sanitary
 Type: SAN.MH
 Size: 48"

Rim: 482'
 Invert: 471.85'
 Rim to Invert: 10.15'

Sump: 3"
 Floor (Top): 471.6'
 Floor Height: 6"

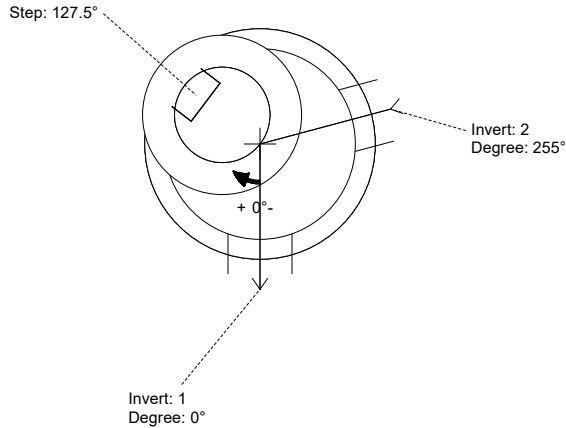
Floor (Bot): 471.1'
 Overall Height: 10.833'
 Slack: 0.8"

Structure Notes:

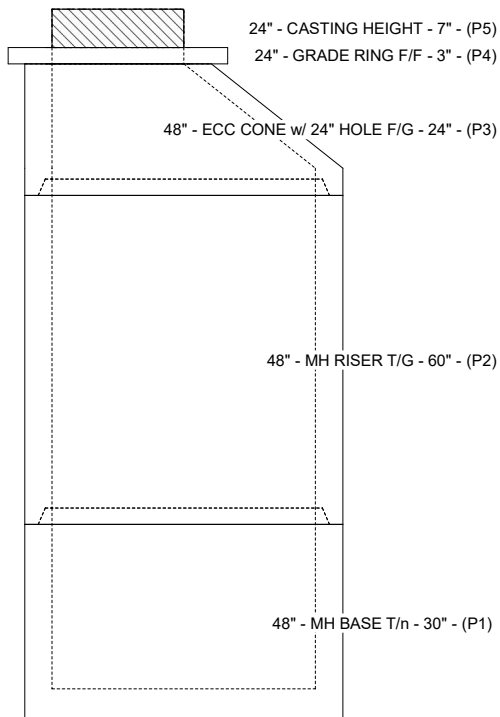
- PER LOUISVILLE MSD / ASTM C-478 SPECIFICATIONS
- CONCRETE: 4,000 PSI AT 28 DAYS
- REINFORCEMENT: PER ASTM A615
- INVERT CHANNEL **NOT** REQUIRED - WILL BE PERFORMED BY OTHERS ON SITE
- CRETEX CHIMNEY SEAL SUPPLIED BY ICAST
- STEPS AT 127.5 DEGREES
- HOE MC-420 FRAME & COVER "SANITARY LOU-MSD" SUPPLIED BY OTHERS
- ADDITIONAL PSX 16Y NYLO DRIVE BOOT REQUIRED FOR FIELD CORED (BY OTHERS) OPENING

STRUCTURE SUMMARY:

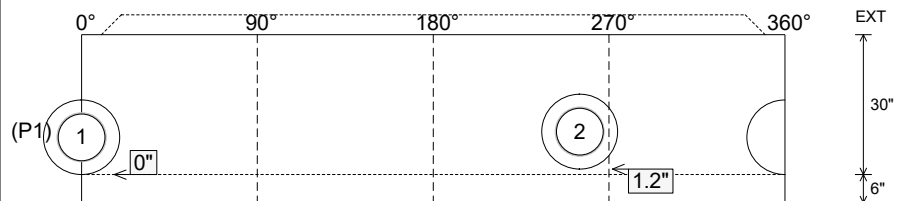
P5) 24" - CASTING HEIGHT - 7"	0 lb
P4) 24" - GRADE RING F/F - 3"	202 lb
P3) 48" - ECC CONE w/ 24" HOLE F/G - 24"	1550 lb
P2) 48" - MH RISER T/G - 60"	4192 lb
P1) 48" - MH BASE T/n - 30"	3255 lb
1) JOINT WRAP - 0.065"x6"x50' CONSEAL CS212	0 lb
1) JOINT WRAP PRIMER - CONSEAL CS-75 (1 gal.)	0 lb
1) Chimney Seal - Cretex Chimney Seal	10 lb
2) 48" - Conseal CS-102 1.00" (Double)	0 lb
2) PSX - 16Y NYLO	16 lb
8) MH Step ML-10-TDS-NCR - 10"	0 lb
Structure Total:	9224 lb



Position	Elev	Angle	Pipe	Pipe OD	Hole	Connector	Up (L)	Ref
Rim	482'							
Reducer								
Invert 1	471.85'	0°	10" PVC SDR35	10.5"	16"	PSX 16Y NYLO	0"	P1
Invert 2	471.95'	255°	10" PVC SDR35	10.5"	16"	PSX 16Y NYLO	1.2"	P1
Invert 3								
Invert 4								
Invert 5								
Invert 6								
Invert 7								
Invert 8								



Cast (Int. Dim.) - Interior Dimensions



Submittal Drawing
 2/10/2026 8:07:21 AM

SUBMITTAL
 APPROVED BY: