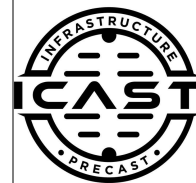


Job Name: 25-4296 - 857945 Shelby County Storm Shelter  
 Job Location: Shelbyville, KY  
 Contractor: Contech Engineering Solutions

Plant: Beaver Dam  
 10/24/2025 9:39:31 AM

Tech: J. Coppage  
 PC: T. Sekula



**Structure ID: 10-CS-4**

**P2 MH048RSVF**

**MH RISER Custom Ht**

- P4) 30" - CASTING HEIGHT - 4"
- P3) 48" - MH FLAT LID w/30in ECC Hole - 12"
- P2) 48" - MH RISER Custom Ht - 63"
- P1) 48" - MH BASE - 18"
- 1) PSASSEMBLY
- 1) CVSTENCILING
- 2) 48" - Conseal CS-102 1.00"
- 2) Hole - 16

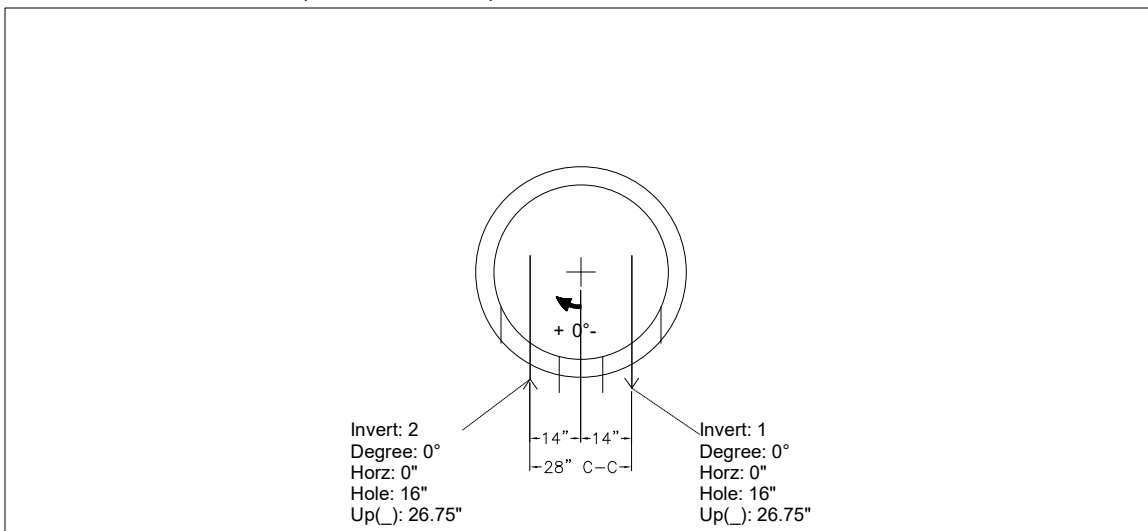
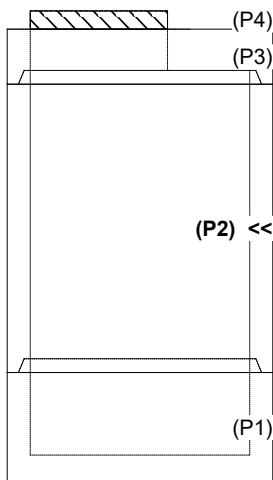
0 lb  
 1413 lb  
 4187 lb  
 2588 lb  
 0 lb  
 0 lb  
 0 lb  
 0 lb  
 Structure Total: 8187 lb

**Structure Notes:**  
 (4" TALL CASTING PROVIDED BY OTHERS)  
 LIFTING ANCHORS TO BE INSTALLED  
 ON THE OUTSIDE OF THE STRUCTURE  
 ICAST TO INSTALL THE INTERNALS  
 CONTECH'S LOGO AS WELL AS  
 THE INLET AND OUTLET MUST BE  
 STENCILED ONTO THE STRUCTURE

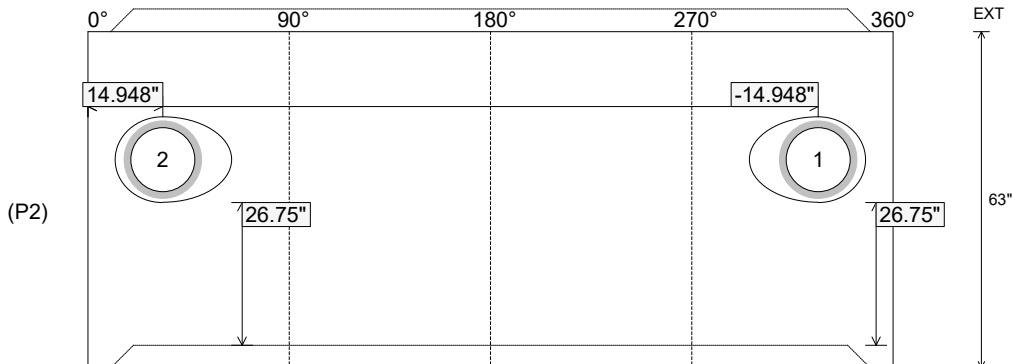
Rim: 735.9' Rim to Invert: 4.5' Slack: 8" Sump: 51" Step Position:

Position	Elev	Angle	Ext. (cw)	Pipe	Pipe OD	Connector	Hole	Horz Size	Up ( )	Offset
Invert 1	731.4'	0°	-14.61"	12" HDPE	14.5"	Hole 16	16"	21.767"	26.75"	-14"
Invert 2	731.4'	0°	14.61"	12" HDPE	14.5"	Hole 16	16"	21.767"	26.75"	14"
Invert 3										
Invert 4										
Invert 5										
Invert 6										
Invert 7										
Invert 8										

**RIGHT-SIDE UP VIEW (int. dimensions)**



**INSIDE WALL DIMENSIONS**



Coating (Int):  
 Coating (Ext):

Seam Up: Tongue  
 Seam Dn: Groove

Wall Thickness: 5"  
 Floor Height: 0"

Height (Int): 63"  
 Height (Ext): 63"

Weight (Net): 4187 lb  
 Volume (Net): 1.07cu.yd