

**Job Name: 25-4295 - 753021 APH Renovation**  
**Job Location: Louisville, KY**  
**Contractor: Contech Engineering Solutions**

PC: T. Sekula  
 TECH: J. Coppage  
 Plant: Beaver Dam



Structure ID: **10-CS-4**  
 Spec: Storm-Pipe Centered  
 Type: STM.MH  
 Size: 48"

Rim: 508.4'  
 Invert: 501.05'  
 Rim to Invert: 7.35'

Sump: 51"  
 Floor (Top): 496.8'  
 Floor Height: 6"

Floor (Bot): 496.3'  
 Overall Height: 11.333'  
 Slack: 9.2"

Structure Notes:  
 (4" TALL CASTING PROVIDED BY OTHERS)

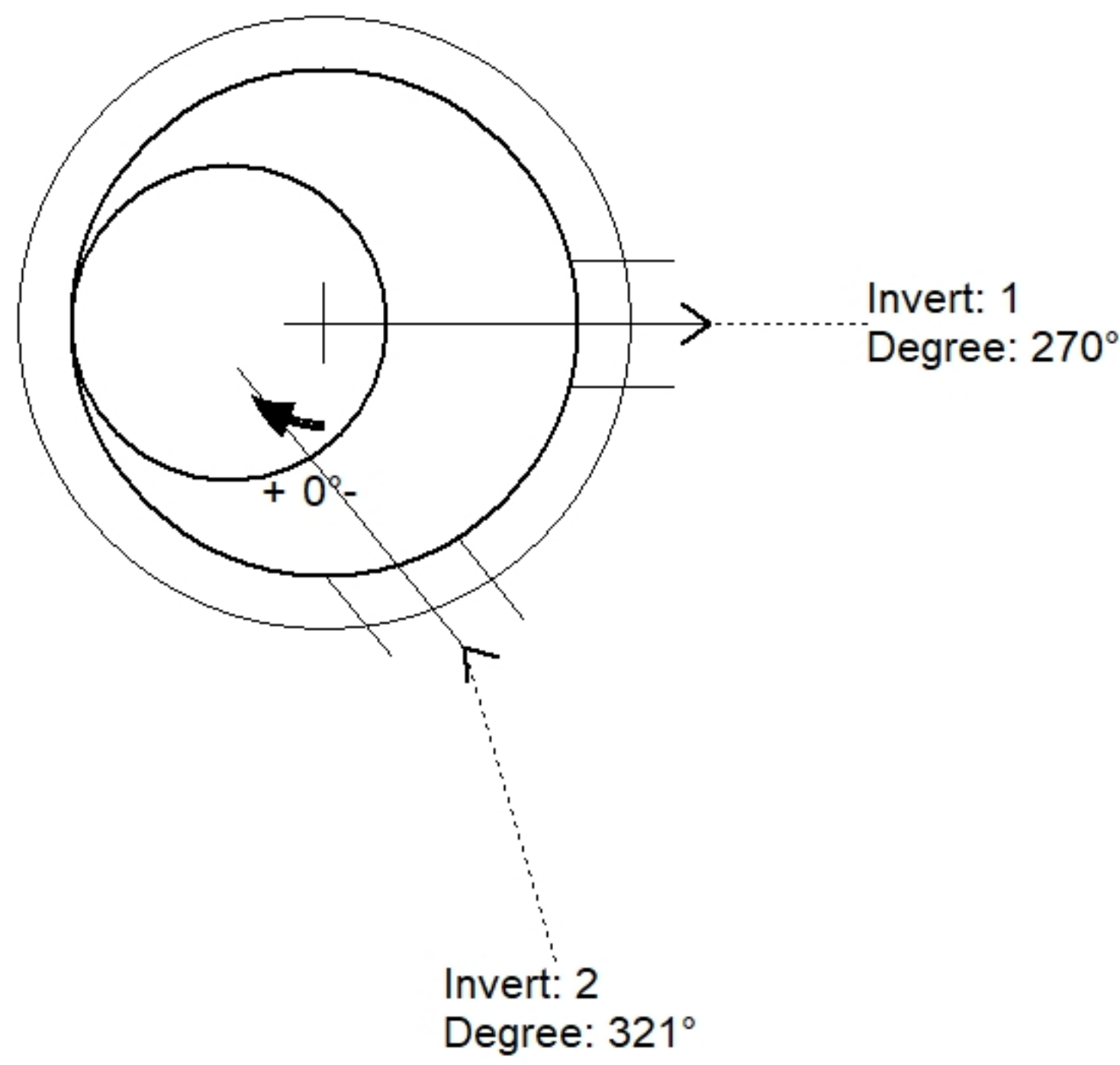
LIFTING ANCHORS TO BE INSTALLED ON THE OUTSIDE OF THE STRUCTURE

ICAST TO INSTALL THE INTERNALS

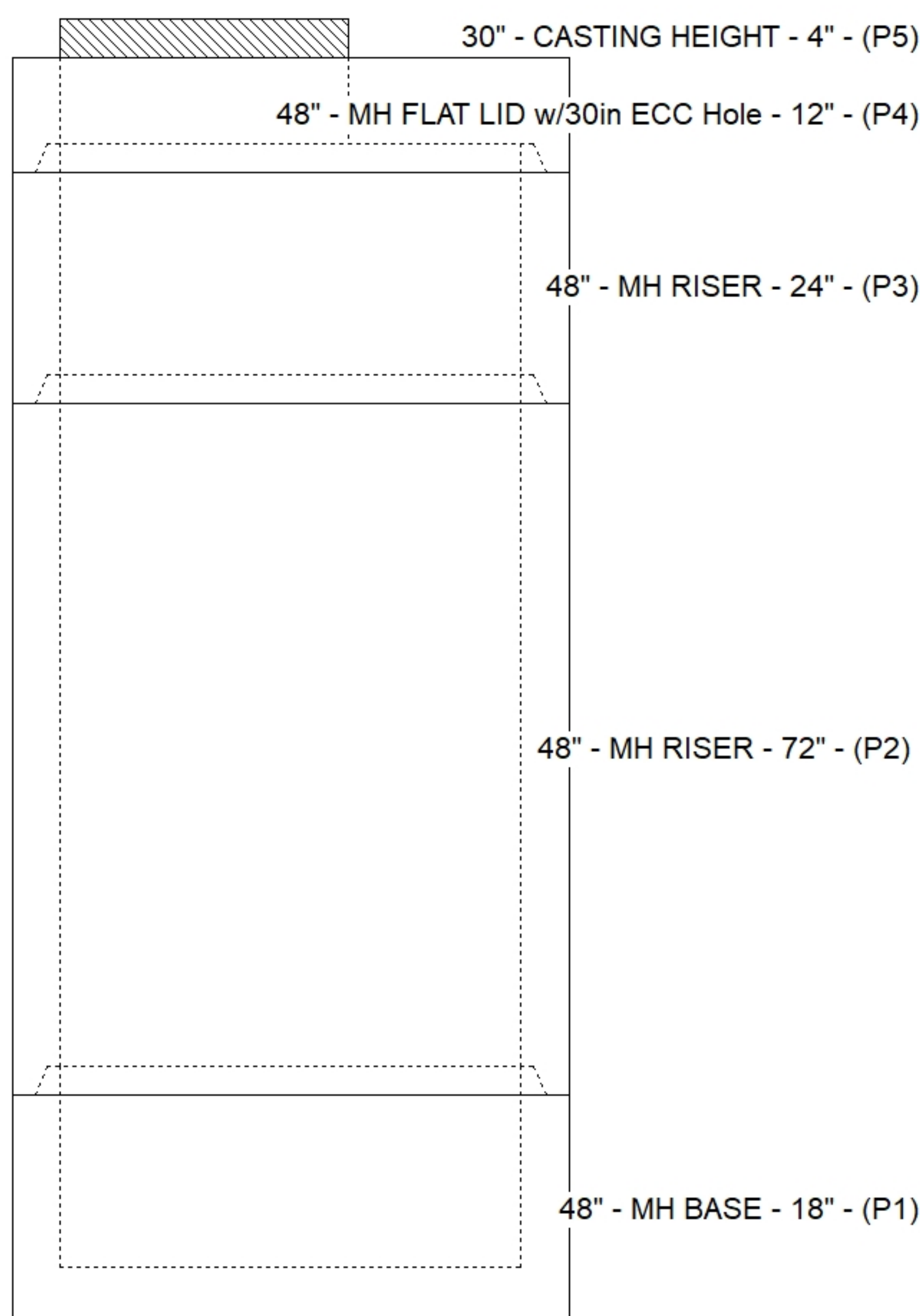
CONTECH'S LOGO AS WELL AS THE INLET AND OUTLET MUST BE STENCILED ONTO THE STRUCTURE

STRUCTURE SUMMARY:

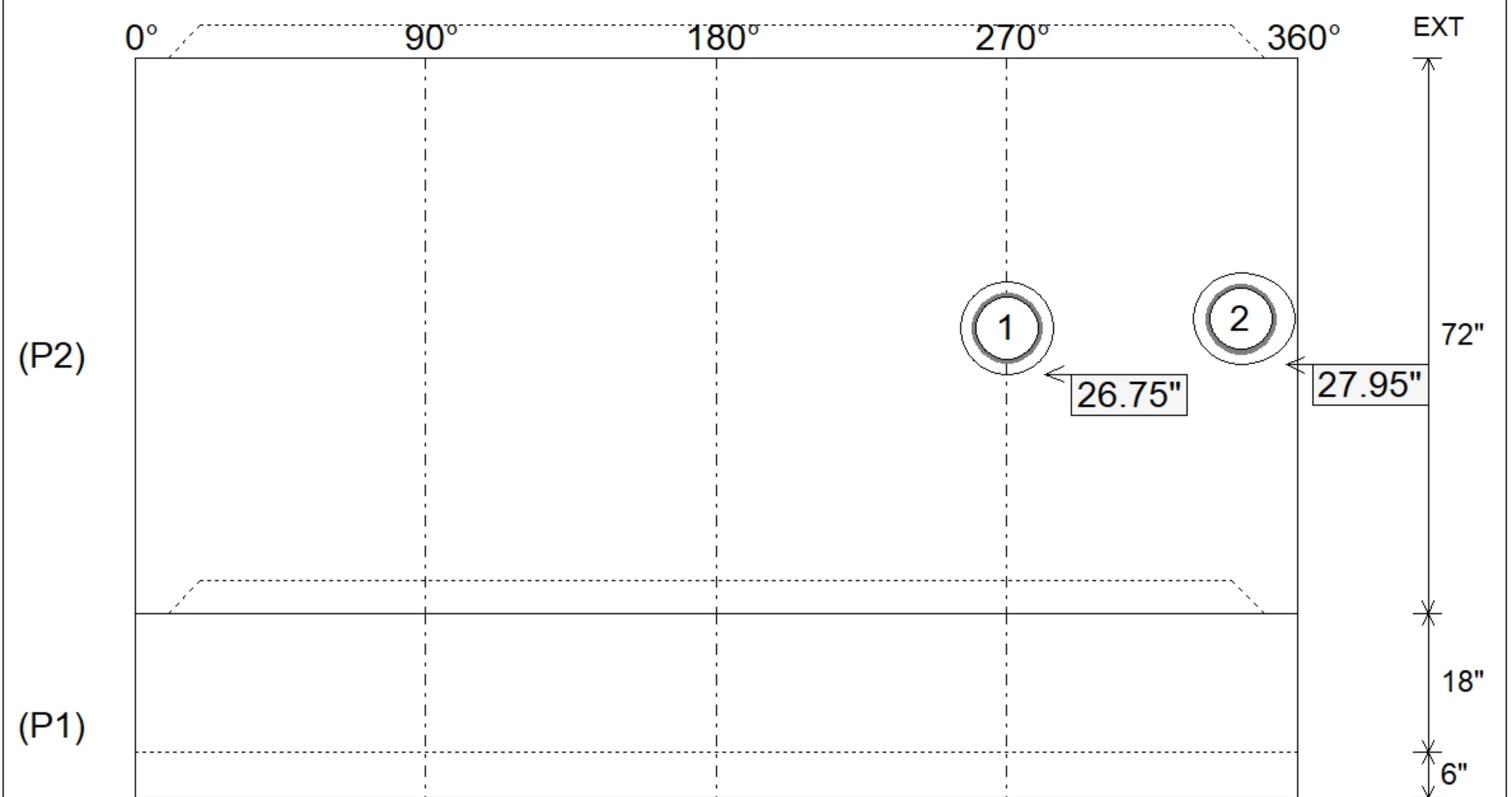
P5) 30" - CASTING HEIGHT - 4"	0 lb
P4) 48" - MH FLAT LID w/30in ECC Hole - 12"	1413 lb
P3) 48" - MH RISER - 24"	1677 lb
P2) 48" - MH RISER - 72"	4931 lb
P1) 48" - MH BASE - 18"	2588 lb
1) CVSTENCILING	0 lb
1) PSASSEMBLY	0 lb
3) 48" - Conseal CS-102 1.00"	0 lb
2) Hole - 12	0 lb
	-----
Structure Total:	10608 lb



Position	Elev	Angle	Pipe	Pipe OD	Hole	Connector	Up (L)	Ref
Rim	508.4'							
Reducer								
Invert 1	501.05'	270°	8" HDPE	9.1"	12"	Hole 12	26.75"	P2
Invert 2	501.15'	321°	8" HDPE	9.1"	12"	Hole 12	27.95"	P2
Invert 3								
Invert 4								
Invert 5								
Invert 6								
Invert 7								
Invert 8								



**Default - Interior Dimensions**



Submittal Drawing  
 10/30/2025 9:23:48 AM

SUBMITTAL  
 APPROVED BY: