

Job Name: 25-4295 - 753021 APH Renovation
 Job Location: Louisville, KY
 Contractor: Contech Engineering Solutions

Plant: Beaver Dam

Tech: J. Coppage

10/29/2025 9:46:19 AM

PC: T. Sekula



Structure ID: 10-CS-4

P2 MH048RS72

MH RISER

- P5) 30" - CASTING HEIGHT - 4"
- P4) 48" - MH FLAT LID w/30in ECC Hole - 12"
- P3) 48" - MH RISER - 24"
- P2) 48" - MH RISER - 72"
- P1) 48" - MH BASE - 18"
- 1) CVSTENCILING
- 1) PSASSEMBLY
- 3) 48" - Conseal CS-102 1.00"
- 2) Hole - 12

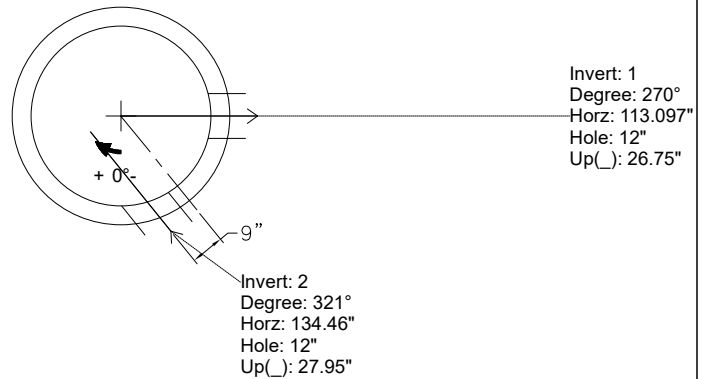
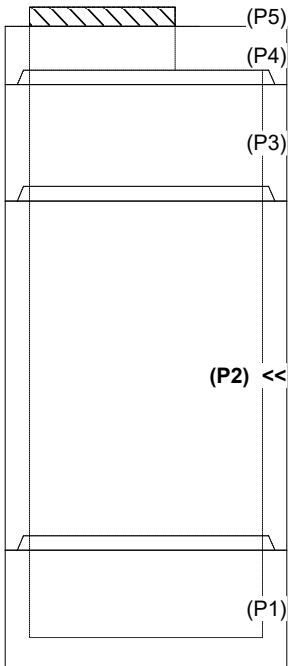
0 lb
 1413 lb
 1677 lb
 4931 lb
 2588 lb
 0 lb
 0 lb
 0 lb
 0 lb
 0 lb
 Structure Total: 10608 lb

Structure Notes:
 (4" TALL CASTING PROVIDED BY OTHERS)
 LIFTING ANCHORS TO BE INSTALLED ON THE OUTSIDE OF THE STRUCTURE
 ICAST TO INSTALL THE INTERNALS
 CONTECH'S LOGO AS WELL AS THE INLET AND OUTLET MUST BE STENCILED ONTO THE STRUCTURE

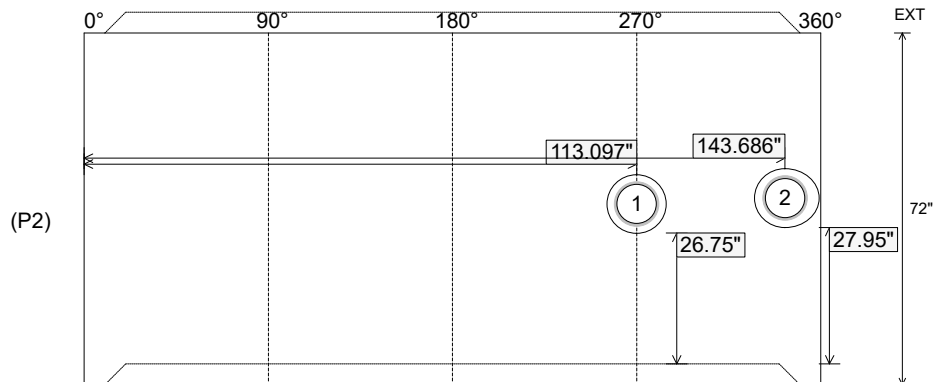
Rim: 508.4' Rim to Invert: 7.35' Slack: 9.2" Sump: 51" Step Position:

Position	Elev	Angle	Ext. (cw)	Pipe	Pipe OD	Connector	Hole	Horz Size	Up (↓)	Offset
Invert 1	501.05'	270°	136.659"	8" HDPE	9.1"	Hole 12	12"	12.129"	26.75"	0"
Invert 2	501.15'	321°	171.624"	8" HDPE	9.1"	Hole 12	12"	13.195"	27.95"	9"
Invert 3										
Invert 4										
Invert 5										
Invert 6										
Invert 7										
Invert 8										

RIGHT-SIDE UP VIEW (int. dimensions)



INSIDE WALL DIMENSIONS



Coating (Int):
 Coating (Ext):

Seam Up: Tongue
 Seam Dn: Groove

Wall Thickness: 5"
 Floor Height: 0"

Height (Int): 72"
 Height (Ext): 72"

Weight (Net): 4931 lb
 Volume (Net): 1.26cu.yd