

**Job Name: 25-4284 - Bean Cemetery Rd Water Line Extension**  
**Job Location: Madisonville, KY**  
**Contractor: Luttrell & Sons, LLC**

PC: A. Chambers  
 TECH: Jared - F  
 Plant: 100



Structure ID: **ARV-2**  
 Spec: Sanitary  
 Type: Air Release MH  
 Size: 48"

Rim: 5.83'  
 Invert: 0'  
 Rim to Invert: 5.83'

Sump: 6"  
 Floor (Top): -0.5'  
 Floor Height: 0"

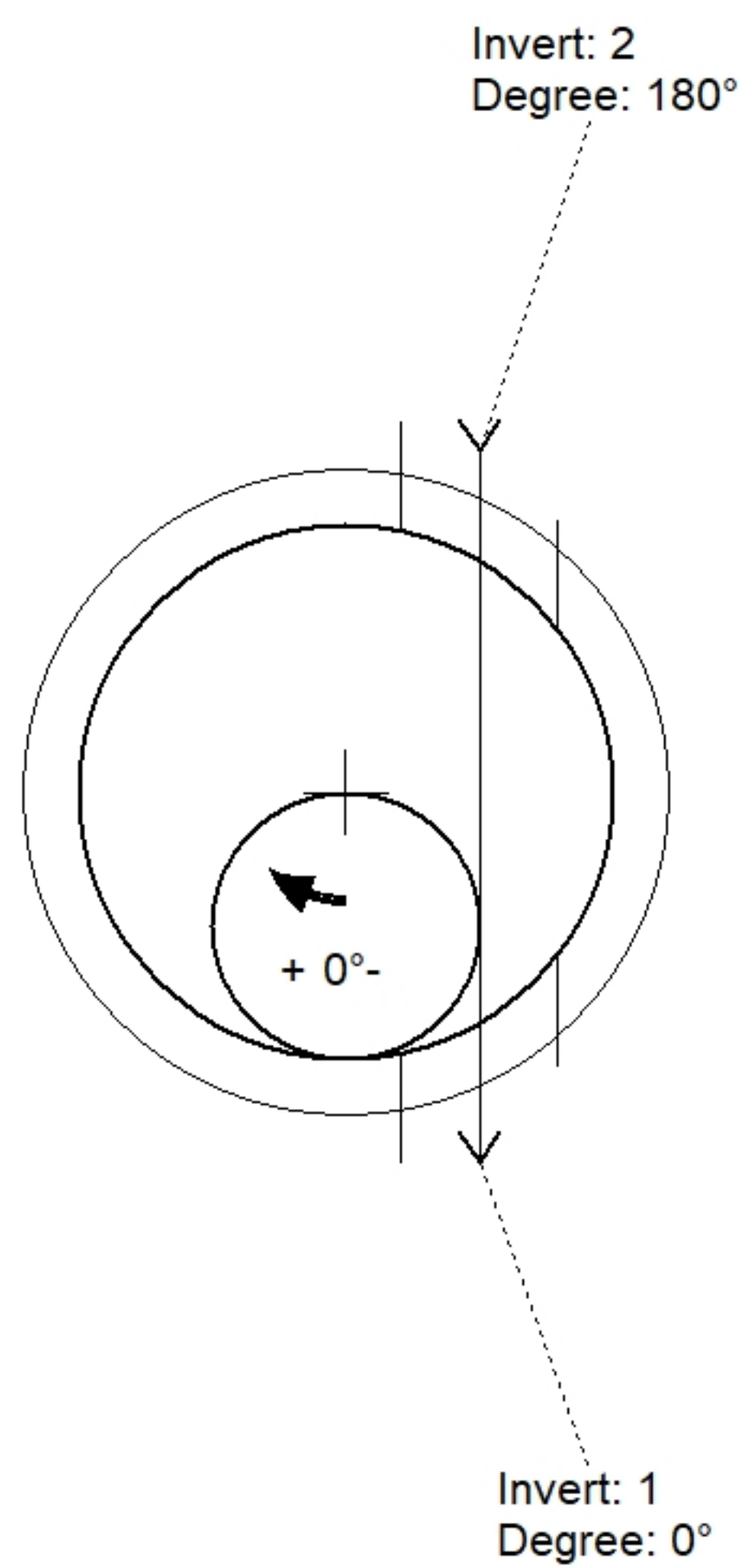
Floor (Bot): -0.5'  
 Overall Height: 6.333'  
 Slack: -0.04"

**Structure Notes:**  
 1. PER ASTM C478 SPECIFICATIONS.  
 2. CONCRETE = 4,000 PSI AT 28 DAYS.  
 3. NO STEPS AND NO INVERT CHANNEL.  
 4. CASTING BY ICAST (HOE MC-375 F/VENTED COVER).  
 5. FOOTERS BY OTHERS

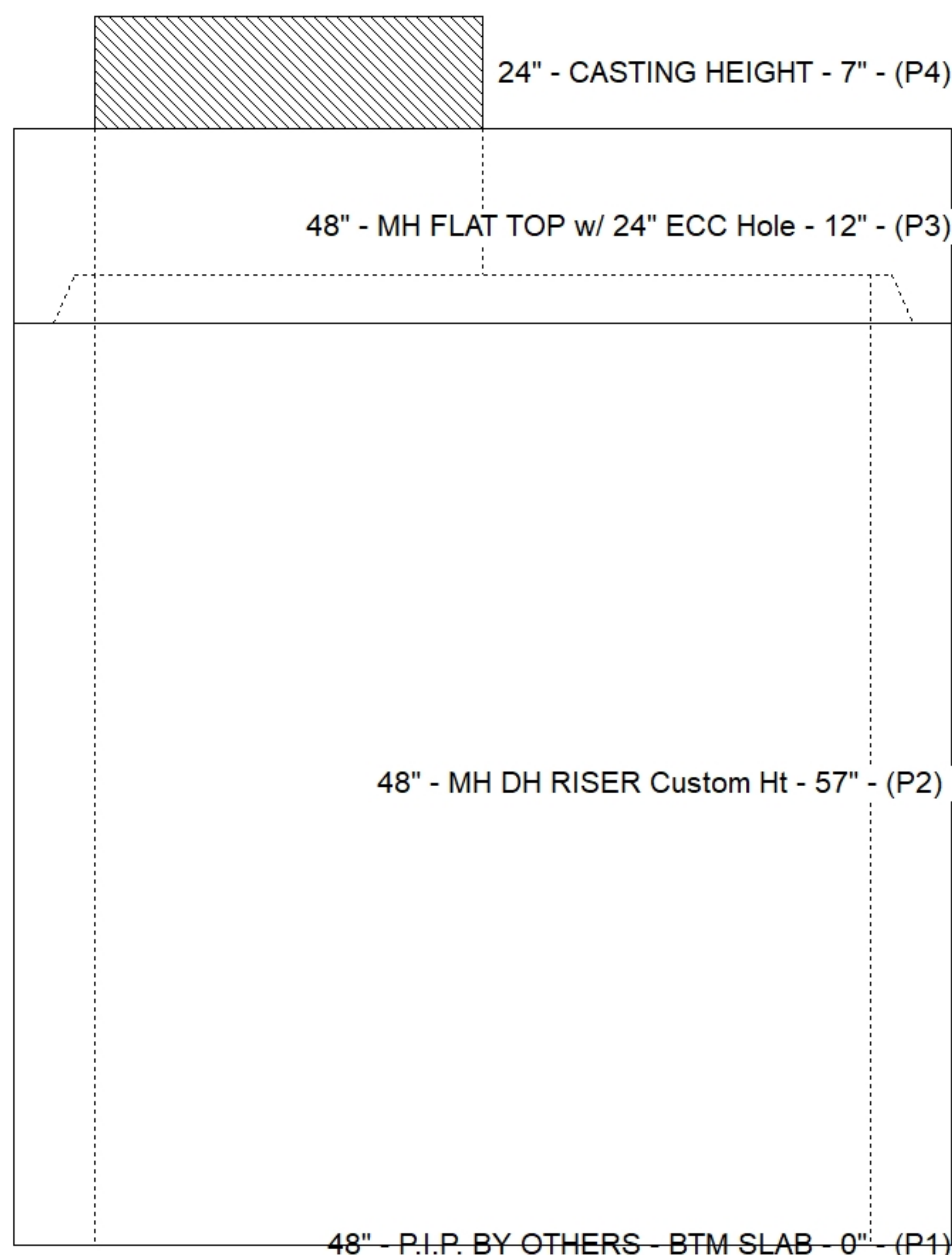
REINFORCING PER ASTM A615 (GRADE 60).  
 - TOP SLAB (As .62) #5 BARS AT 6" C.C.E.W.  
 - RISER/WALLS (As .12)

**STRUCTURE SUMMARY:**

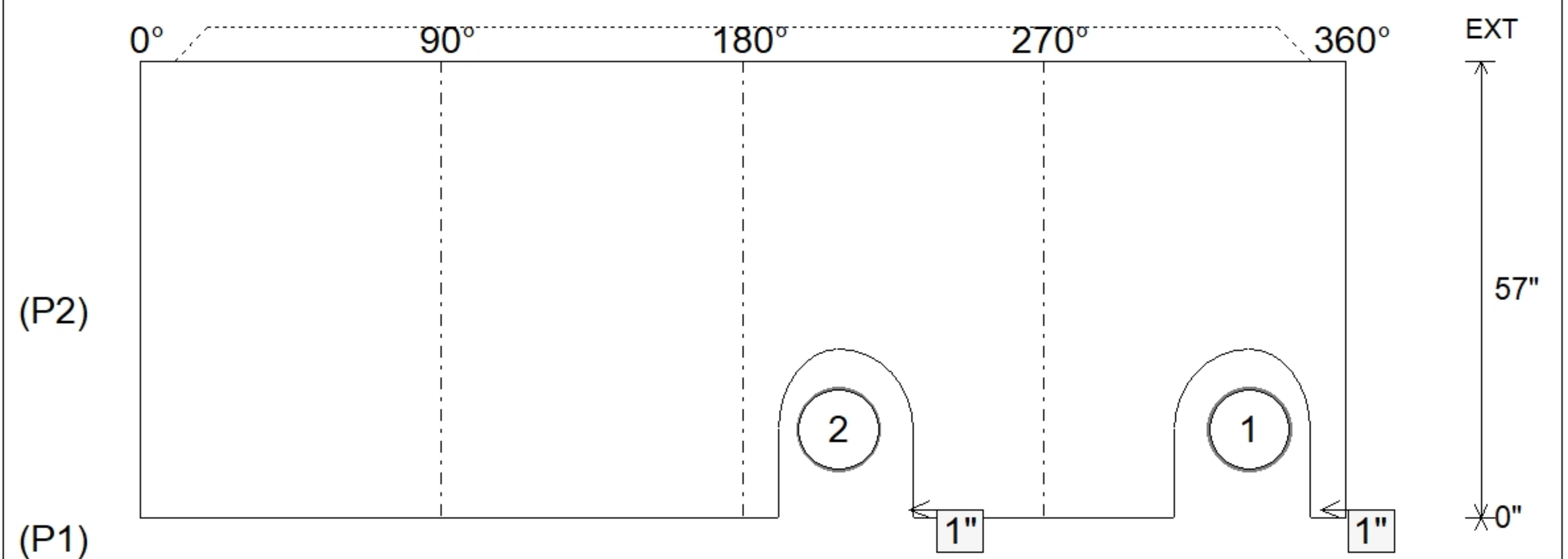
P4) 24" - CASTING HEIGHT - 7"	0 lb
P3) 48" - MH FLAT TOP w/ 24" ECC Hole - 12"	1561 lb
P2) 48" - MH DH RISER Custom Ht - 57"	3724 lb
P1) 48" - P.I.P. BY OTHERS - BTM SLAB - 0"	0 lb
1) CASTING - HOE MC-375-SS F/C Sanitary	271 lb
2) 48" - Con Seal CS-102 1.00" (Double)	0 lb
2) DOGHOUSE - 14"x20"	0 lb
<b>Structure Total:</b>	<b>5556 lb</b>



Position	Elev	Angle	Pipe	Pipe OD	Hole	Connector	Up (")	Ref
Rim	5.83'							
Reducer								
Invert 1	0'	0°	10" PVC SDR35	10.5"	14" x 20"	DOGHOUSE 14"x20"	1"	P2
Invert 2	0'	180°	10" PVC SDR35	10.5"	14" x 20"	DOGHOUSE 14"x20"	1"	P2
Invert 3								
Invert 4								
Invert 5								
Invert 6								
Invert 7								
Invert 8								



**Default - Interior Dimensions**



Submittal Drawing  
 4/28/2026 8:29:36 AM

SUBMITTAL  
 APPROVED BY: