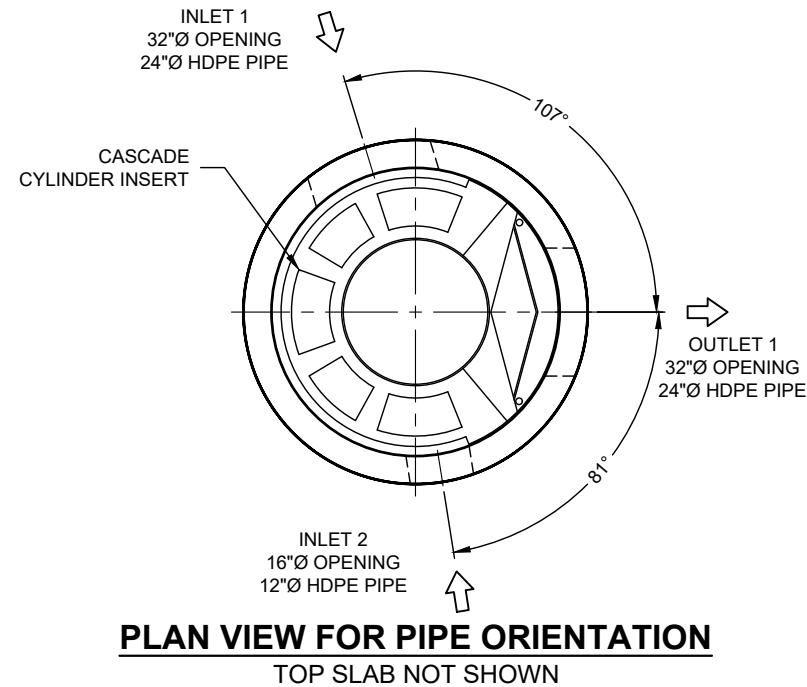
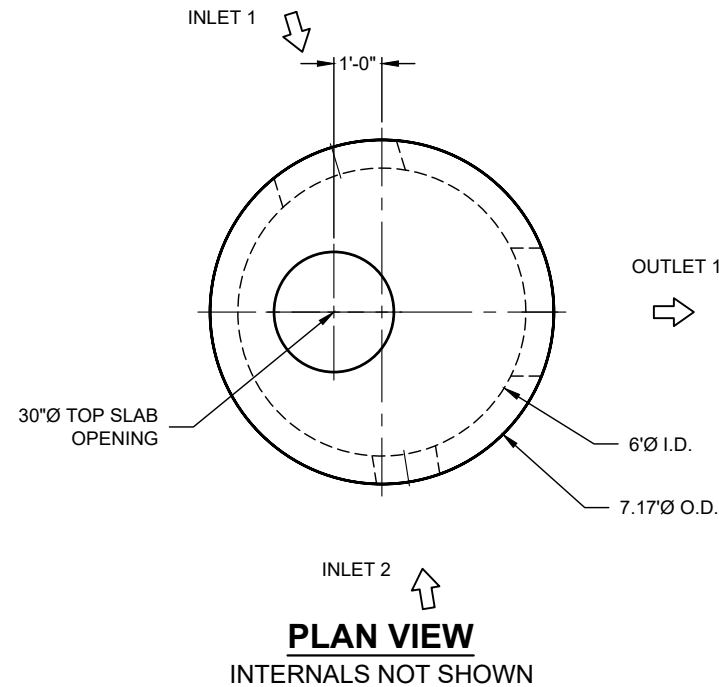
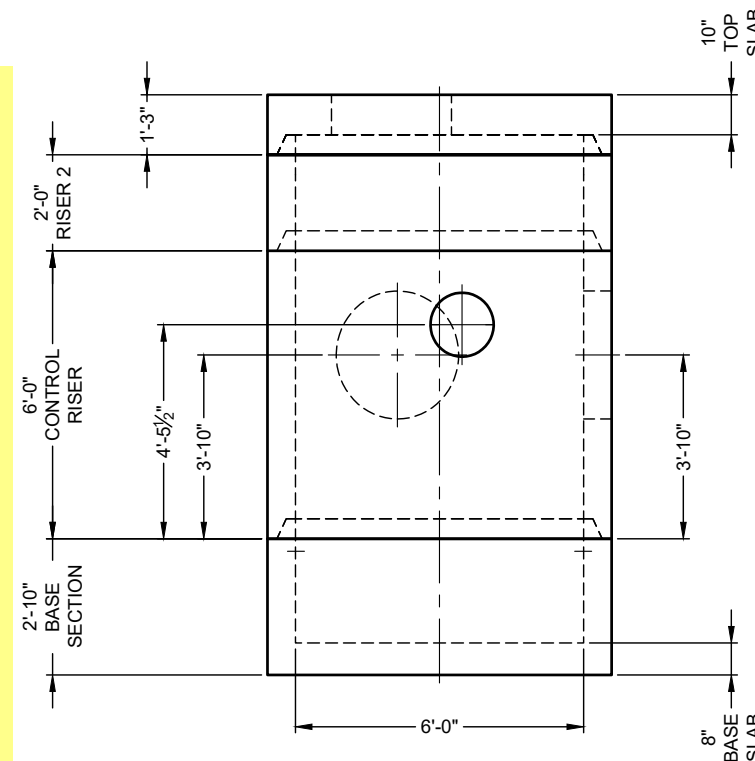
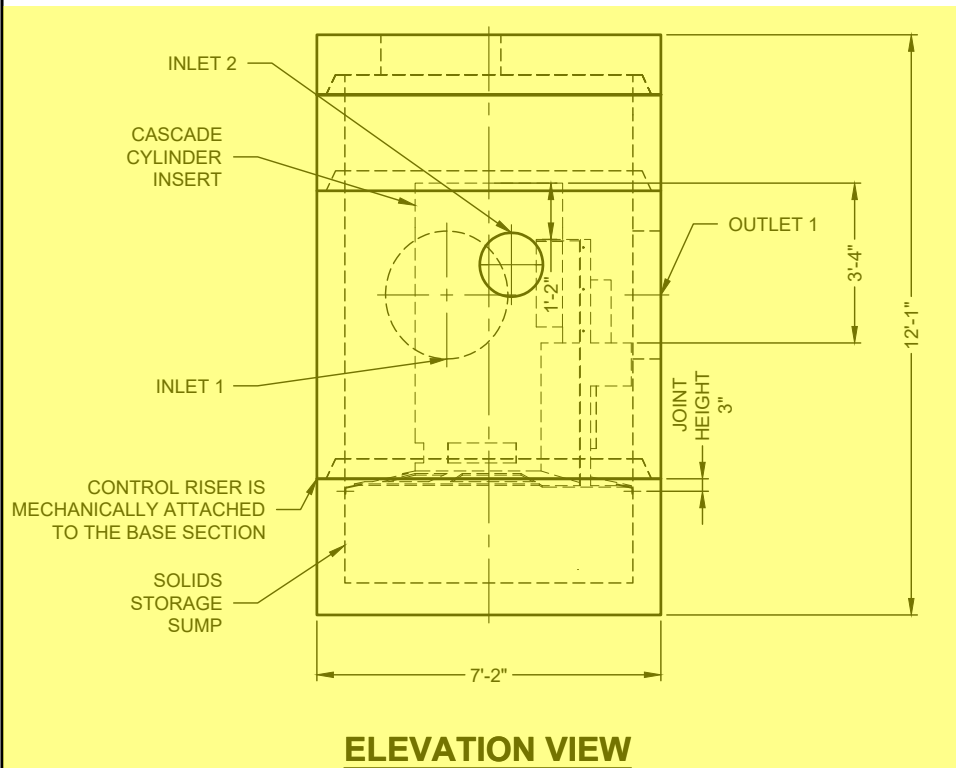


# 25-4273 - Quicktrip OH 826649-15



**15-CS-6**  
**ICAST to fully pre-assemble**  
**internal materials prior to shipment.**



SEE INSTALLATION NOTE A

## MATERIAL LIST

COUNT	DESCRIPTION	PART NUMBER	PROVIDED BY	INSTALLED BY
1	CS-6 CYLINDER INSERT, STD.	325-003951	CONTECH	PRECASTER
5	CS-6 ALUMINUM INSTALLATION BRACKETS	325-003956	CONTECH	PRECASTER
1	CS-6 HARDWARE KIT	325-003965	CONTECH	PRECASTER
1	SEALANT FOR JOINTS		PRECASTER	CONTRACTOR
1	30"Ø X 4" FRAME AND COVER, EJ #41600483, OR EQUIV.	325-000332	CONTECH	CONTRACTOR

## GENERAL NOTES

- DESIGN LOADING - AASHTO HS-20
- ALL PRECAST CONCRETE MANUFACTURED PARTS SHALL CONFORM TO ASTM C-478, WITH MINIMUM CONCRETE STRENGTH OF 4000 PSI AT 28 DAYS
- JOINT SEALANT SHALL CONFORM TO ASTM C-990 OR ASTM C-443
- GROUND WATER ELEVATION ASSUMED AT OUTLET INVERT
- MANUFACTURING TOLERANCE = +/- 1/2-INCH
- SOME HIDDEN LINES MAY BE OMITTED FOR CLARITY

## INSTALLATION NOTES

- PRECASTER TO SHIP ACCESS CASTINGS WITH STRUCTURE
- REFER TO CONTECH ASSEMBLY INSTRUCTIONS FOR ADDITIONAL INFORMATION.
- PRECASTER TO INSTALL INTERNAL COMPONENTS PRIOR TO SHIPPING UNLESS INSTRUCTED OTHERWISE BY CONTECH
- PIPE OPENINGS SHALL BE STENCILED "INLET" OR "OUTLET" AS APPROPRIATE
- APPLYING ALIGNMENT MARKS ON ALL PIECES OF MULTIPLE PIECE ASSEMBLIES IS ENCOURAGED
- IF STRUCTURE IS DELIVERED IN MULTIPLE SECTIONS, EACH PIECE SHALL BE LABELED WITH THE CONTECH PROJECT NUMBER, SEQUENCE NUMBER AND SITE DESIGNATION

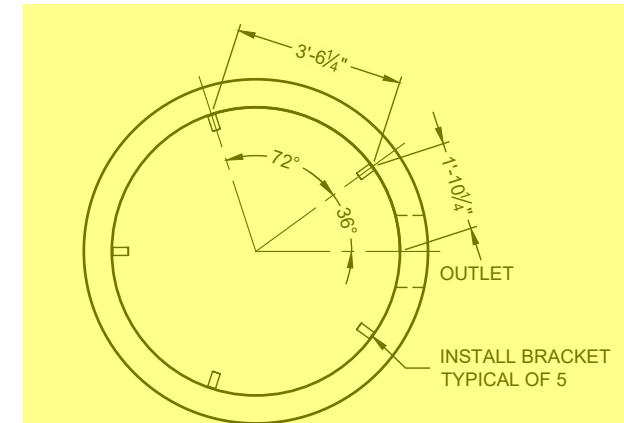
## SITE INFORMATION

RIM ELEV. = 605.74+/-  
 TOP OF STRUCTURE = 604.84  
 INLET PIPE 1 INVERT ELEV. = 598.42  
 INLET PIPE 1 DIAMETER AND MATERIAL = 24"Ø HDPE  
 INLET PIPE 2 INVERT ELEV. = 599.55  
 INLET PIPE 2 DIAMETER AND MATERIAL = 12"Ø HDPE  
 OUTLET PIPE INVERT ELEV. = 598.42  
 OUTLET PIPE DIAMETER AND MATERIAL = 24"Ø HDPE  
 OUTSIDE BOTTOM OF STRUCTURE ELEV. = 592.75

## STRUCTURE WEIGHT

APPROXIMATE HEAVIEST PICK = 19000 LBS.  
 STRUCTURE IS DELIVERED IN 3 PIECES

TOP SLAB = 5000 LBS.  
 RISER 2 = 4000 LBS. LBS.  
 CONTROL RISER = MECHANICALLY ATTACHED TO BASE SECTION  
 BASE SECTION = 19000 LBS.



CONTECH  
**FABRICATION**  
DRAWING

ICAST  
5888 / 757440  
LAYOUT 1A  
13.26TS

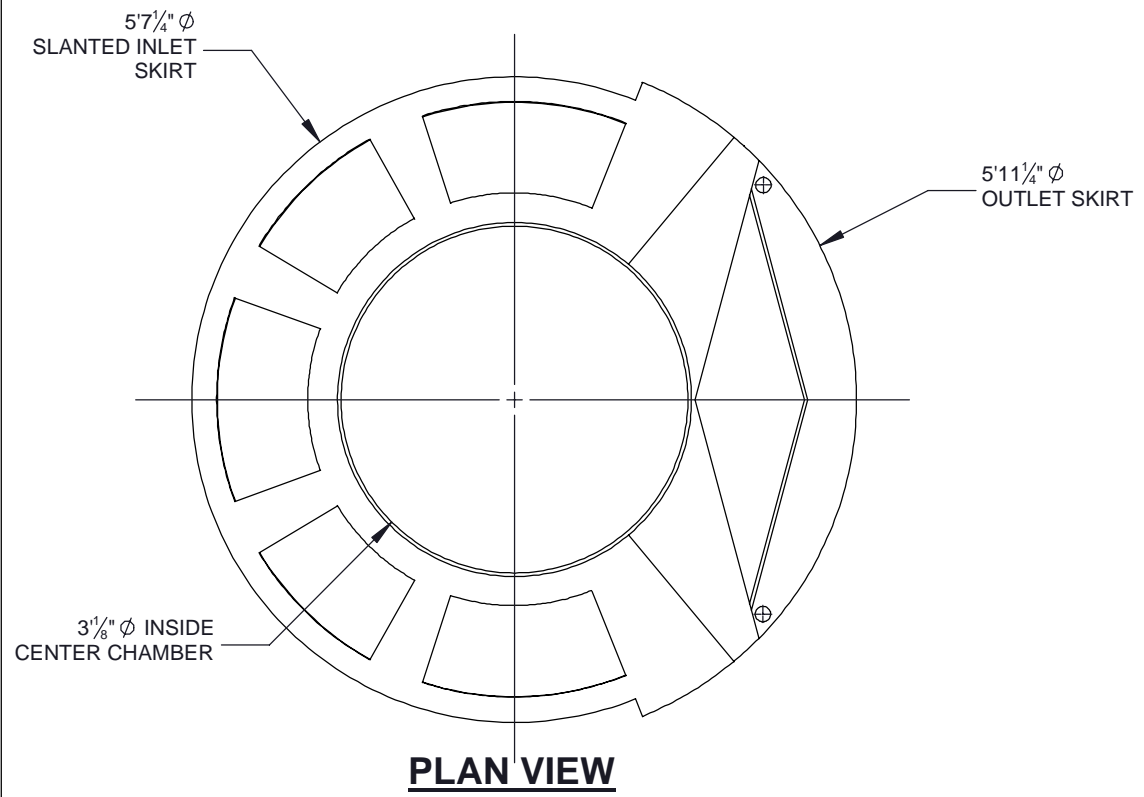
The design and information shown on this drawing is the property of CONTECH Construction Products, Inc. or one of its affiliated companies ("CONTECH"). Neither this drawing, nor any part thereof, may be used, reproduced, or transmitted in any form or by any means, electronic or mechanical, including photocopying, recording, or by any information storage and retrieval system, without the prior written consent of CONTECH. Failure to comply with these terms and conditions shall constitute a breach of contract and shall result in CONTECH expressly disclaiming any liability or responsibility for such use. If discrepancies between the supplied information upon which the drawing is based and actual field conditions are encountered as site work progresses, these are to be immediately reported to the design engineer. CONTECH shall not be held responsible for any design errors, omissions, or inaccuracies in the design, and CONTECH expressly disclaims any liability for designs based on missing, incomplete or inaccurate information supplied by others.

MARK	DATE	BY	REVISION DESCRIPTION
1	10/13/2025	MDB	ADJUSTED FOR PRECASTER

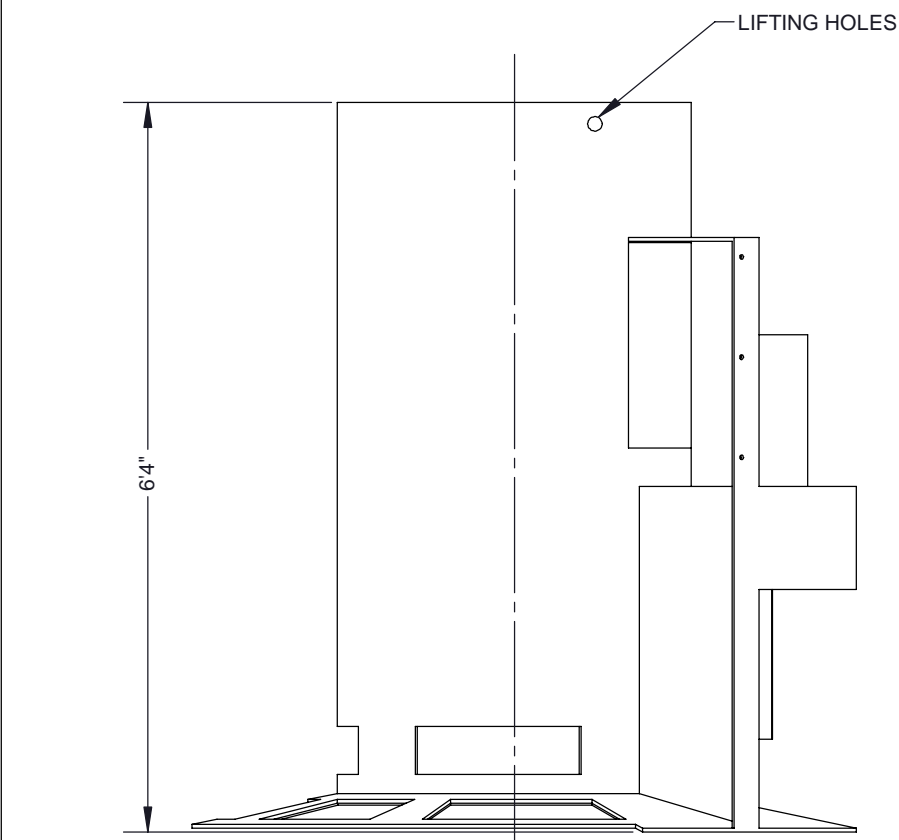
CS-6 - 826649-15  
 QUICKTRIP NO. 7029  
 HAMILTON, OH  
 SITE DESIGNATION: #B2

**CONTECH**  
**ENGINEERED SOLUTIONS LLC**  
 A **CONTECH** COMPANY  
 810 Centre Pointe Dr., Suite 400, West Chester, OH 45380  
 800.338.1122 513.345.7000 513.345.7803 FAX  
**CASCADE separator**  
 FOR PATENT INFORMATION, GO TO www.contech.com/IP

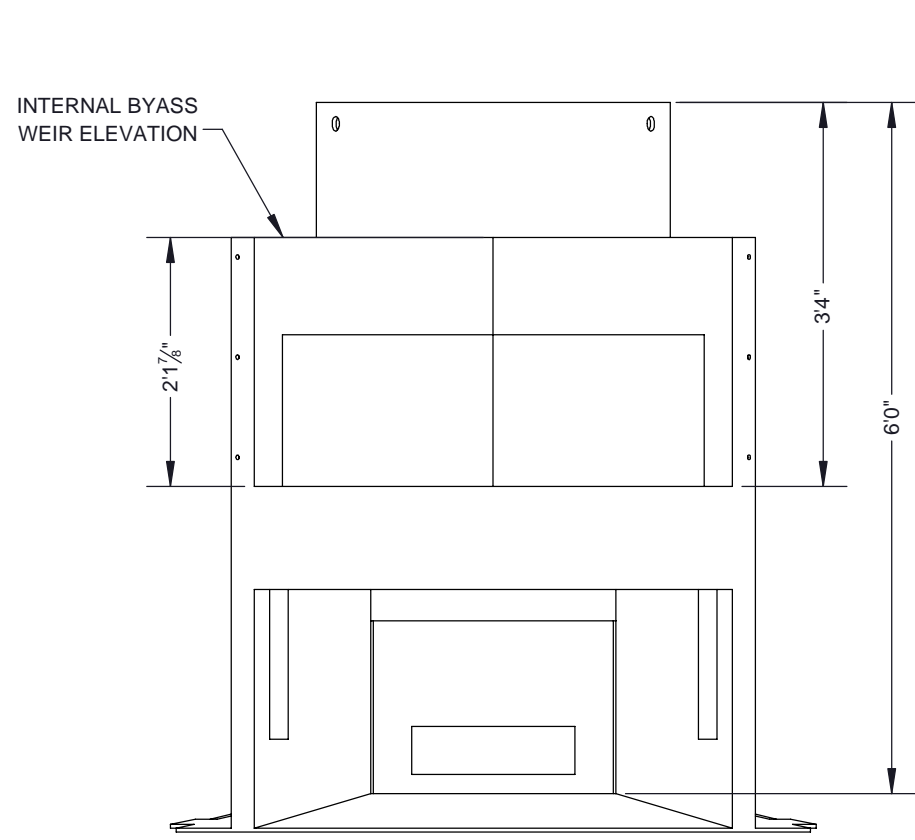
DATE:	11/18/2024		
DESIGNED:	MDB	DRAWN:	MDB
CHECKED:	MDB	APPROVED:	MDB
PROJECT No.:	826649	SEQUENCE No.:	15
SHEET:	1	OF	1



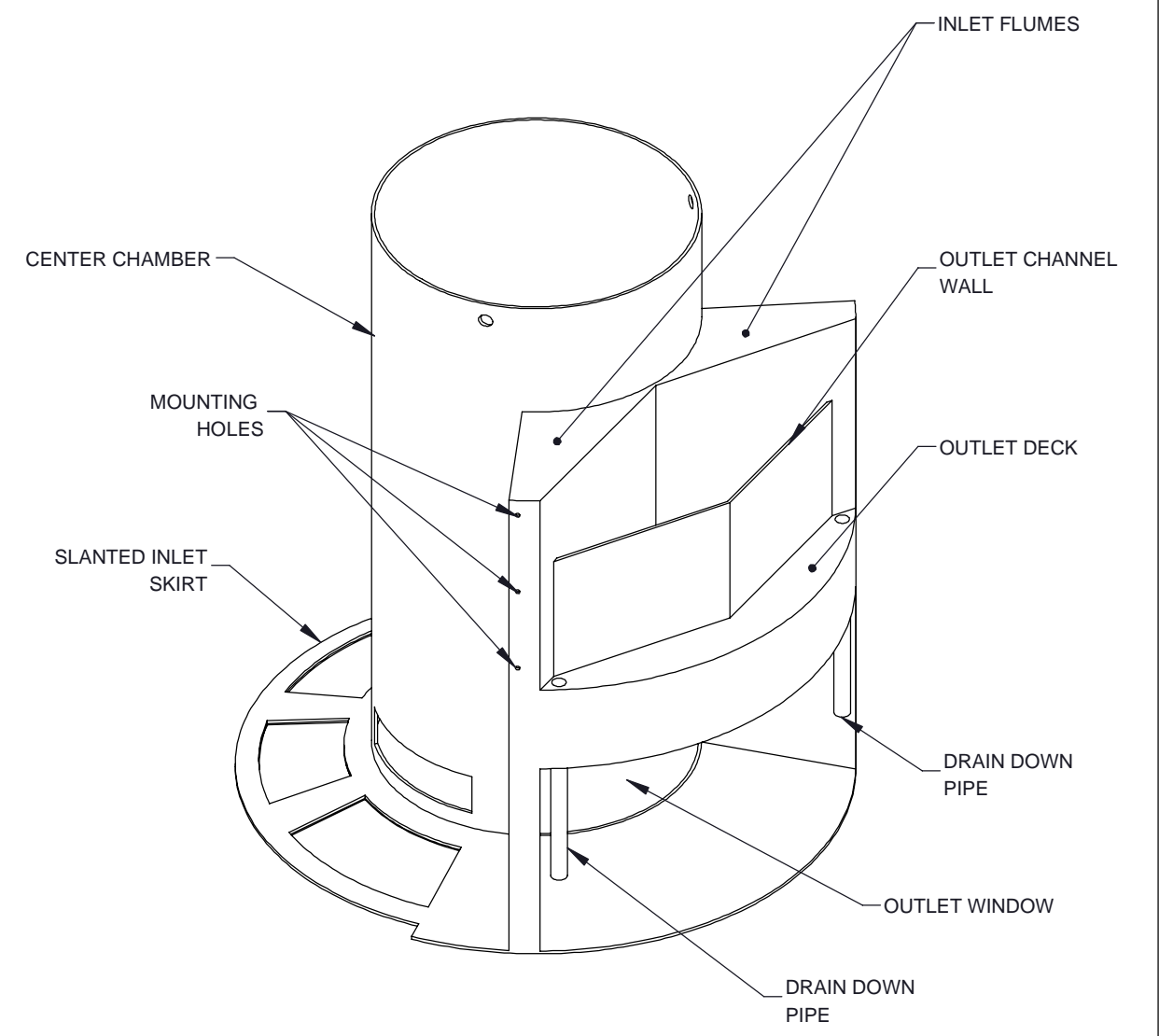
**PLAN VIEW**



**ELEVATION VIEW**



**ELEVATION VIEW: OUTLET SIDE**



**ISOMETRIC VIEW**

NOTES:  
1. SEE CASCADE SEPARATOR INSTALLATION GUIDE FOR ADDITIONAL INFORMATION

The design and information shown on this drawing is provided as a service to the project owner, engineer and contractor by Contech Engineered Solutions LLC, or one of its affiliated companies ("Contech"). Neither this drawing, nor any part thereof, may be used, reproduced or modified in any manner without the prior written consent of Contech. Failure to comply is done at the user's own risk and Contech expressly disclaims any liability or responsibility for such use.

If discrepancies between the supplied information upon which the drawing is based and actual field conditions are encountered as site work progresses, these discrepancies must be reported to Contech immediately for re-evaluation of the design. Contech accepts no liability for designs based on missing, incomplete or inaccurate information supplied by others.



**CONTECH**  
ENGINEERED SOLUTIONS LLC  
www.ContechES.com  
9025 Centre Pointe Dr., Suite 400, West Chester, OH 45069  
800-338-1122 513-645-7000 513-645-7993 FAX

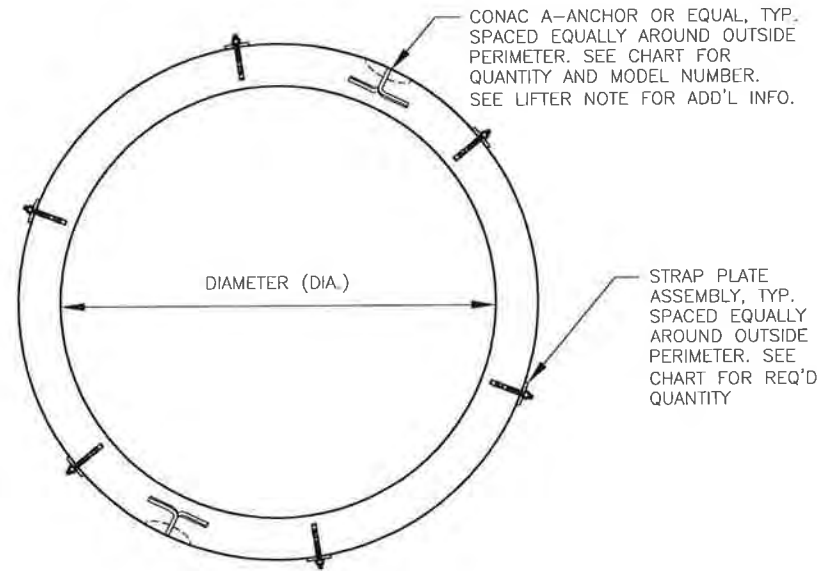
REFERENCE DETAIL  
INTERNALS CS-6  
CASCADE SEPARATOR

THIRD ANGLE PROJECTION

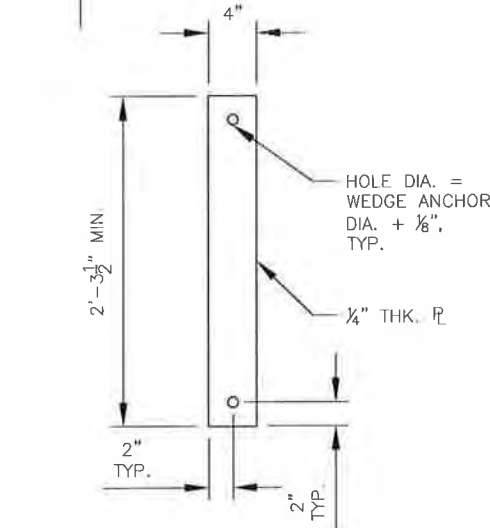
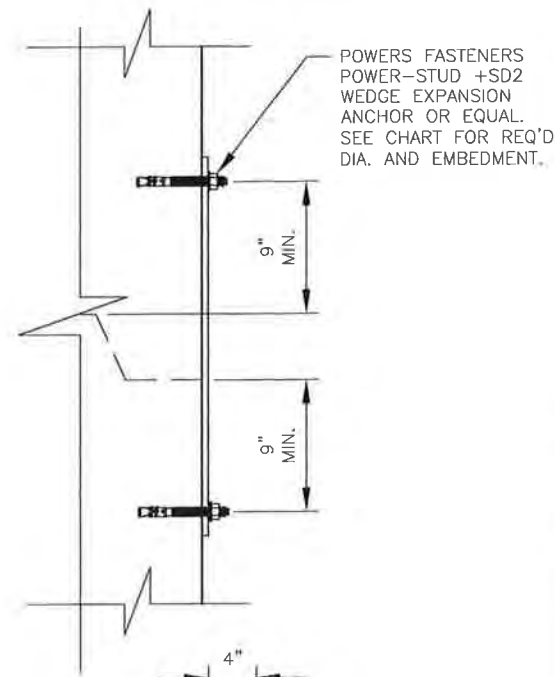
UNLESS OTHERWISE SPECIFIED  
DIMENSIONS ARE IN INCHES

TOLERANCES:  
FRACTIONAL ± 1/16  
ANGLES ± 1 DEGREE  
TWO PLACE DECIMAL ± 0.06  
THREE PLACE DECIMAL ± 0.030

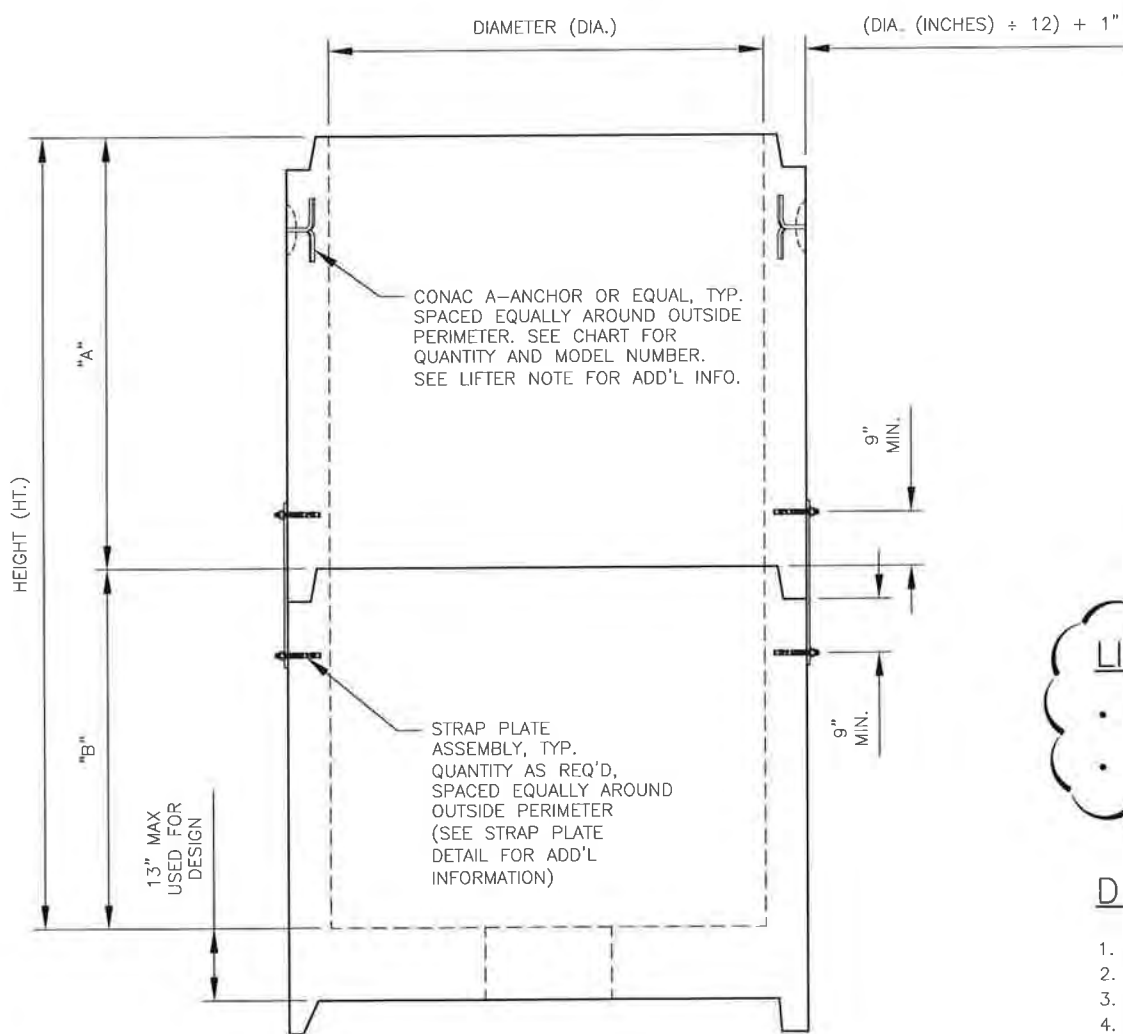
PART NUMBER: 325-003951	
APPROVED BY: M. BROOKS	DRAWN BY: J. BELL
APPROVED BY DATE: 2021.10.21	DRAWN BY DATE: 2021.09.15
SCALE: N/A	REV: B
SHEET 1 OF 1	



PLAN VIEW



STRAP PLATE DETAIL



ELEVATION VIEW

**LIFTER NOTE:**

- FOR ALL UNITS w/DIA. < 8'-0", DO NOT PLACE LIFTERS IN UPPER RISER WHEN "A" < 2'-0".
- FOR DIAMETER = 8'-0", DO NOT PLACE LIFTERS IN UPPER RISER WHEN "A" < 3'-0".

**DESIGN NOTES**

1. UNIT WEIGHT OF CONCRETE = 150 PCF
2. f'c @ LIFTING = 4,000 PSI MIN.
3. STEEL STRAP PLATES: ASTM A36 MIN.
4. ALL HARDWARE TO BE INSTALLED PER MANUFACTURER'S SPECIFICATIONS.

CDS MH Dia.	Ht. (ft.)	A (ft.)	B (ft.)	Number of Connection Plates Req'd (equally spaced)	POWERS FASTENERS POWER-STUD +SD2 WEDGE EXPANSION ANCHOR OR EQUAL.	Number of Lifters Req'd (equally spaced)	Conac A-Anchor (or Equal)
4'	5'	1'	4'	4	1/2"Ø - w/ 2 1/2" Min. Embed	2	Model 4CA14
		2'	3'	3	1/2"Ø - w/ 2 1/2" Min. Embed	2	Model 4CA14
		3'	2'	3	1/2"Ø - w/ 2 1/2" Min. Embed	2	Model 4CA14
		4'	1'	2	1/2"Ø - w/ 2 1/2" Min. Embed	2	Model 4CA14
5'	6'	5'	0'	0	1/2"Ø - w/ 2 1/2" Min. Embed	2	Model 4CA14
		1'	5'	3	5/8"Ø - w/ 3 7/8" Min Embed	2	Model 6CA14
		2'	4'	3	5/8"Ø - w/ 3 7/8" Min. Embed	2	Model 6CA14
		3'	3'	2	5/8"Ø - w/ 3 7/8" Min. Embed	2	Model 6CA14
		4'	2'	2	5/8"Ø - w/ 3 7/8" Min Embed	2	Model 6CA14
6'	7'	5'	1'	2	5/8"Ø - w/ 3 7/8" Min. Embed	2	Model 6CA14
		6'	0'	0	5/8"Ø - w/ 3 7/8" Min. Embed	2	Model 6CA14
		1'	6'	4	3/4"Ø - w/ 4 1/2" Min. Embed	2	Model 6CA14
		2'	5'	3	3/4"Ø - w/ 4 1/2" Min. Embed	2	Model 6CA14
		3'	4'	3	3/4"Ø - w/ 4 1/2" Min. Embed	2	Model 6CA14
		4'	3'	3	3/4"Ø - w/ 4 1/2" Min. Embed	2	Model 6CA14
7'	7'	5'	2'	2	3/4"Ø - w/ 4 1/2" Min. Embed	2	Model 6CA14
		6'	1'	2	3/4"Ø - w/ 4 1/2" Min. Embed	2	Model 6CA14
		7'	0'	0	3/4"Ø - w/ 4 1/2" Min. Embed	2	Model 6CA14
		1'	6'	5	3/4"Ø - w/ 4 1/2" Min. Embed	2	Model 8CA18
		2'	5'	4	3/4"Ø - w/ 4 1/2" Min. Embed	2	Model 8CA18
		3'	4'	4	3/4"Ø - w/ 4 1/2" Min. Embed	2	Model 8CA18
		4'	3'	3	3/4"Ø - w/ 4 1/2" Min. Embed	2	Model 8CA18
8'	9'	5'	2'	3	3/4"Ø - w/ 4 1/2" Min. Embed	2	Model 8CA18
		6'	1'	2	3/4"Ø - w/ 4 1/2" Min. Embed	2	Model 8CA18
		7'	0'	0	3/4"Ø - w/ 4 1/2" Min. Embed	2	Model 8CA18
		1'	8'	7	3/4"Ø - w/ 4 1/2" Min Embed	2	Model 8CA18
		2'	7'	6	3/4"Ø - w/ 4 1/2" Min. Embed	2	Model 8CA18
		3'	6'	6	3/4"Ø - w/ 4 1/2" Min. Embed	2	Model 8CA18
		4'	5'	5	3/4"Ø - w/ 4 1/2" Min. Embed	2	Model 8CA18
5'	4'	5	3/4"Ø - w/ 4 1/2" Min. Embed	2	Model 8CA18		
6'	3'	4	3/4"Ø - w/ 4 1/2" Min. Embed	2	Model 8CA18		
7'	2'	4	3/4"Ø - w/ 4 1/2" Min. Embed	2	Model 8CA18		
8'	1'	3	3/4"Ø - w/ 4 1/2" Min. Embed	2	Model 8CA18		

REV. NO.		DATE	REVISION	PREPARED FOR:	
PREPARED BY:				DATE: 9/24/15	SHEET TITLE: LIFTING DETAILS
				SCALE: N.T.S.	DRWN BY: GAS
				PROJECT: CDS UNIT LIFTING	
860 HOOPER ROAD, ENDWELL, NY 13760 TEL: (607) 231-6600 FAX: (607) 231-6650				CONTRACTOR:	DWG. I.D. RS-01
DELTA PROJ. NO.: 2015.025.041				SHT. NO. 1 OF 1	