

**Job Name: 25-4273 -Quicktrip OH 826649-15**  
**Job Location: Hamilton, OH**  
**Contractor: Contech Engineering Solutions**

PC: T. Sekula  
 TECH: J. Coppage  
 Plant: Beaver Dam



Structure ID: **15-CS-6**  
 Spec: Storm-Pipe Centered  
 Type: STM.MH  
 Size: 72"

Rim: 605.74'  
 Invert: 598.42'  
 Rim to Invert: 7.32'

Sump: 60"  
 Floor (Top): 593.42'  
 Floor Height: 8"

Floor (Bot): 592.753'  
 Overall Height: 12.417'  
 Slack: 6.84"

Structure Notes:  
 (4" TALL CASTING PROVIDED BY OTHERS)

CONTECH'S LOGO AS WELL AS THE INTLETS AND THE OUTLET MUST BE STENCILED ONTO THE STRUCTURE

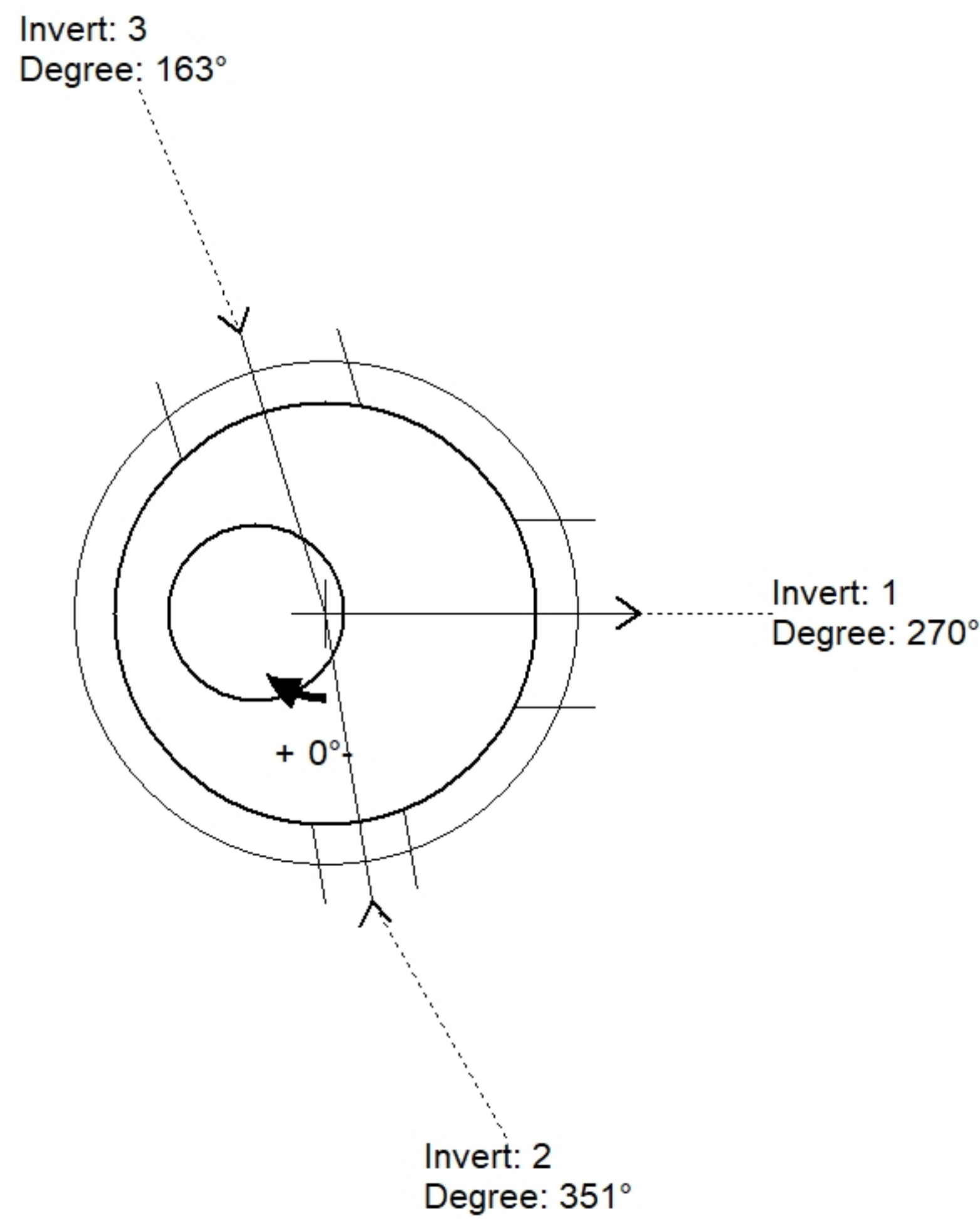
BASE TO BE MECHANICALLY ATTACHED TO THE CONTROL RISER

LIFTING ANCHORS TO BE INSTALLED ON THE OUTSIDE OF THE STRUCTURE

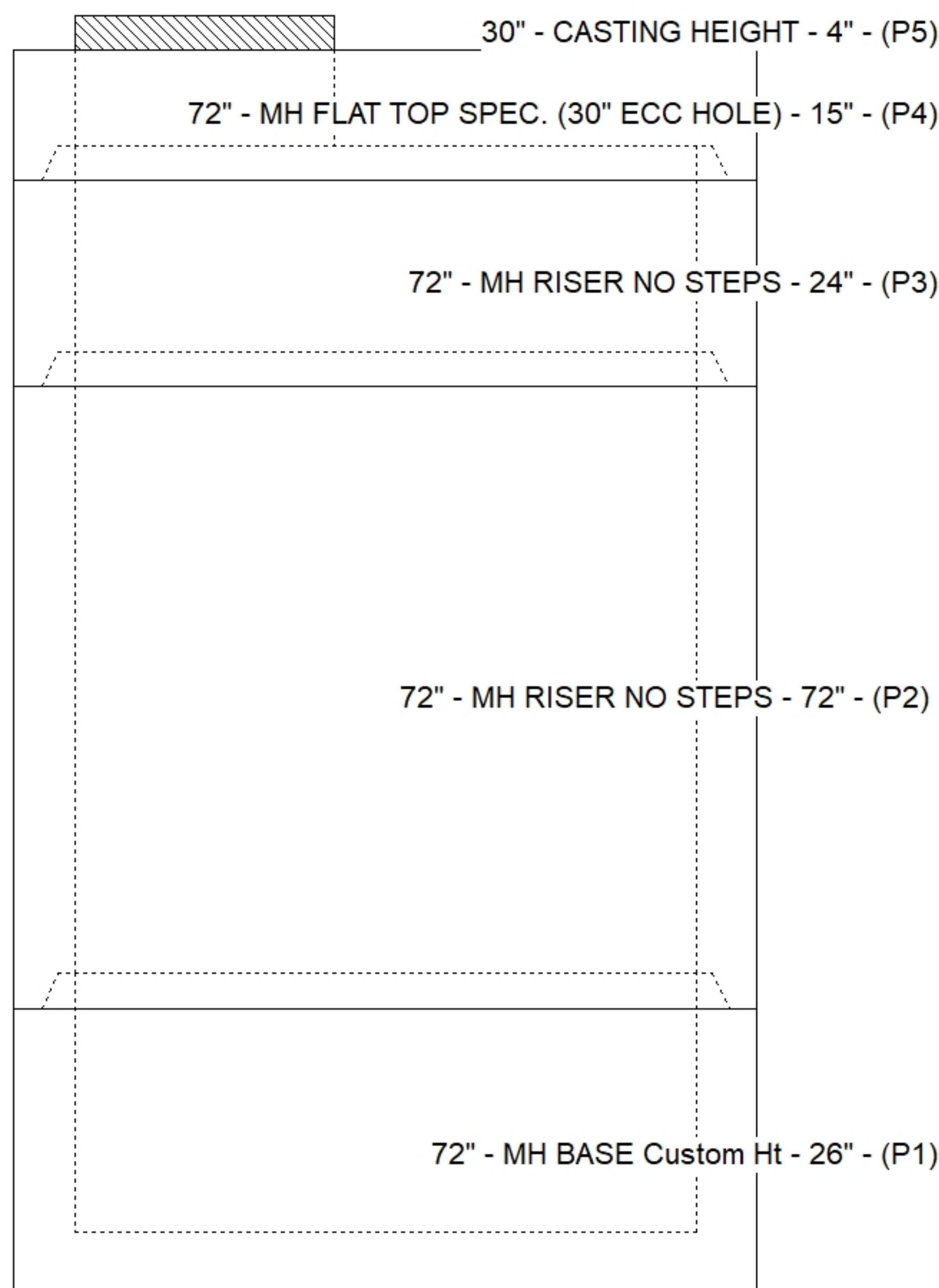
ICAST TO INSTALL THE INTERNALS

STRUCTURE SUMMARY:

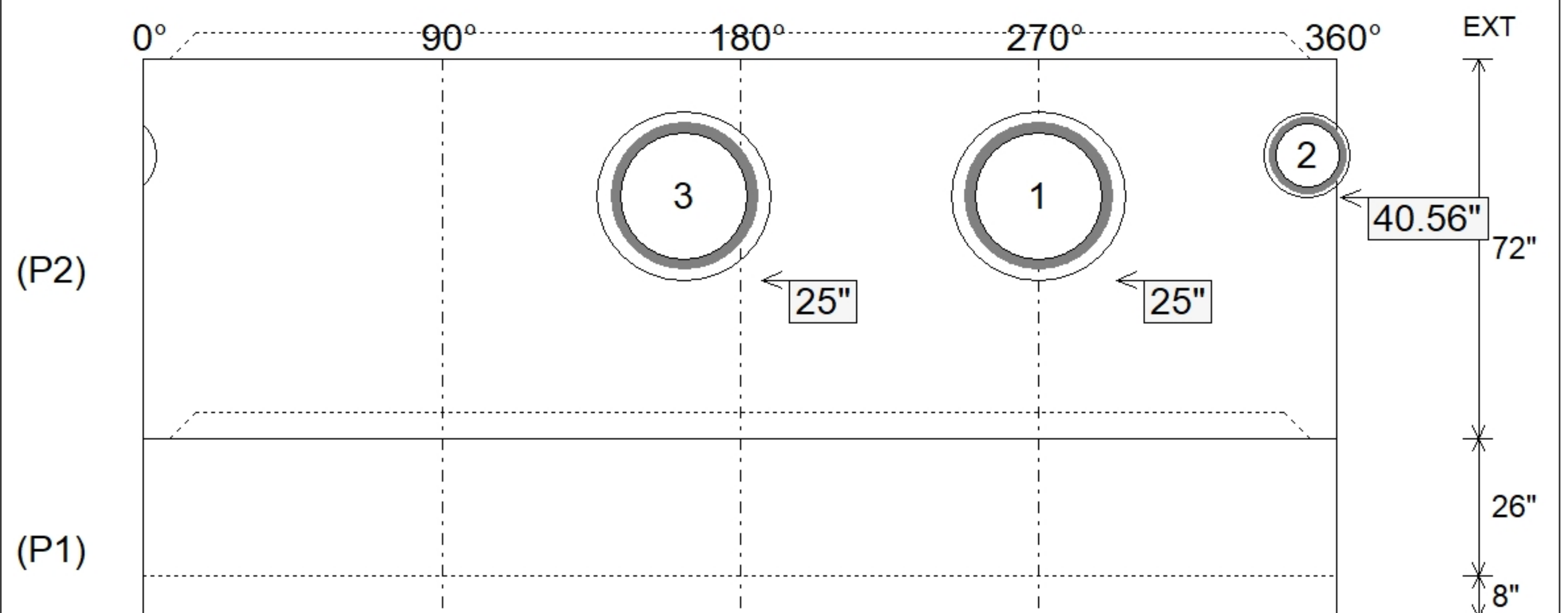
P5) 30" - CASTING HEIGHT - 4"	0 lb
P4) 72" - MH FLAT TOP SPEC. (30" ECC HOLE) - 15"	4661 lb
P3) 72" - MH RISER NO STEPS - 24"	3499 lb
P2) 72" - MH RISER NO STEPS - 72"	9404 lb
P1) 72" - MH BASE Custom Ht - 26"	7690 lb
1) CVSTENCILING	0 lb
1) PSASSEMBLY	0 lb
3) 72" - Conseal CS-102 1.00"	0 lb
2) Hole - 32	0 lb
1) Hole - 16	0 lb
<b>Structure Total:</b>	<b>25253 lb</b>



Position	Elev	Angle	Pipe	Pipe OD	Hole	Connector	Up (")	Ref
Rim	605.74'							
Reducer								
Invert 1	598.42'	270°	24" HDPE	27.8"	32"	Hole 32	25"	P2
Invert 2	599.55'	351°	12" HDPE	14.5"	16"	Hole 16	40.56"	P2
Invert 3	598.42'	163°	24" HDPE	27.8"	32"	Hole 32	25"	P2
Invert 4								
Invert 5								
Invert 6								
Invert 7								
Invert 8								



Default - Interior Dimensions



Submittal Drawing  
 10/24/2025 9:24:34 AM

SUBMITTAL  
 APPROVED BY: