

Job Name: 25-4273 -Quicktrip OH 826649-15
 Job Location: Hamilton, OH
 Contractor: Contech Engineering Solutions

Plant: Beaver Dam

Tech: J. Coppage

10/24/2025 9:25:35 AM

PC: T. Sekula



Structure ID: 15-CS-6

P2 MH072R72S

MH RISER NO STEPS

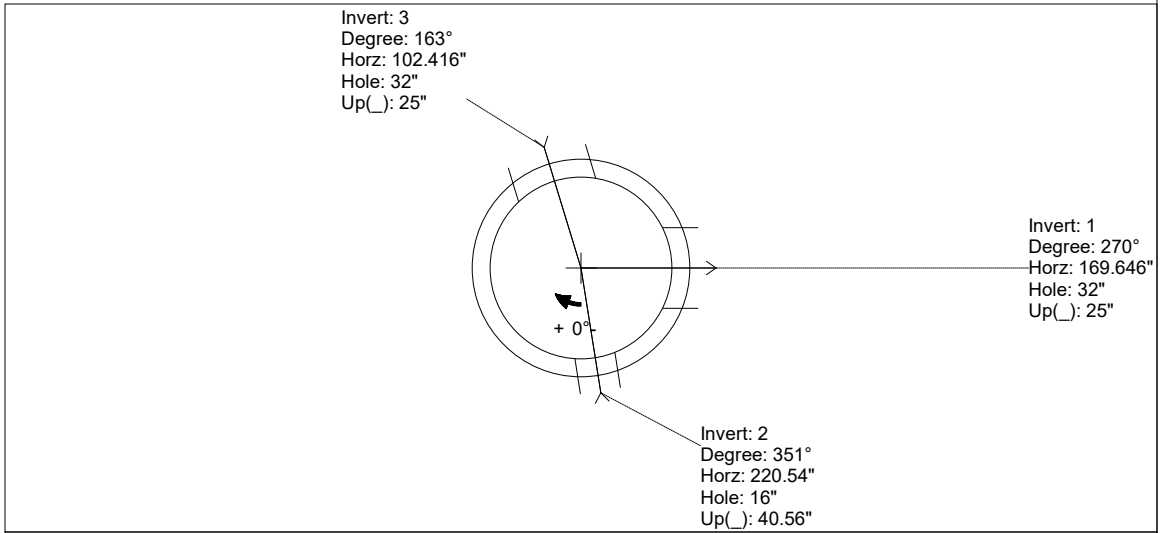
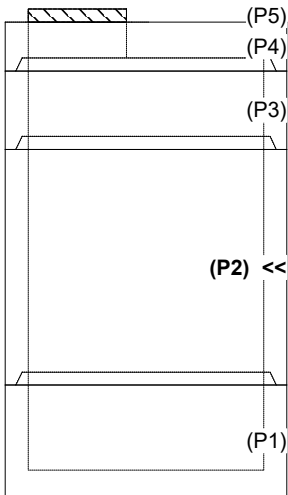
- P5) 30" - CASTING HEIGHT - 4"
- P4) 72" - MH FLAT TOP SPEC. (30" ECC HOLE) - 15"
- P3) 72" - MH RISER NO STEPS - 24"
- P2) 72" - MH RISER NO STEPS - 72"
- P1) 72" - MH BASE Custom Ht - 26"
- 1) CVSTENCILING
- 1) PSASSEMBLY
- 3) 72" - Conseal CS-102 1.00"
- 2) Hole - 32
- 1) Hole - 16

0 lb Structure Notes:
 4661 lb (4" TALL CASTING PROVIDED BY OTHERS)
 3499 lb
 9404 lb CONTECH'S LOGO AS WELL AS THE
 7690 lb INTLETS AND THE OUTLET MUST BE
 0 lb STENCILED ONTO THE STRUCTURE
 0 lb
 0 lb BASE TO BE MECHANICALLY ATTACHED
 0 lb TO THE CONTROL RISER
 0 lb
 Structure Total: 25253 lb LIFTING ANCHORS TO BE INSTALLED
 ON THE OUTSIDE OF THE STRUCTURE
 ICAST TO INSTALL THE INTERNALS

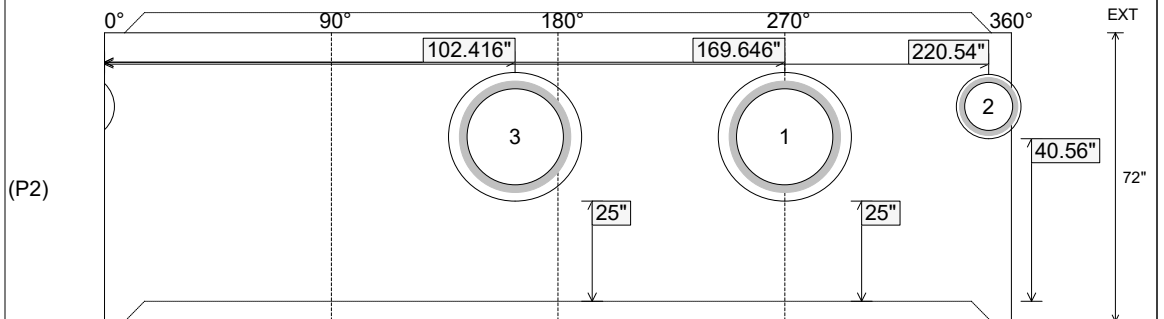
Rim: 605.74' Rim to Invert: 7.32' Slack: 6.84" Sump: 60" Step Position:

Position	Elev	Angle	Ext. (cw)	Pipe	Pipe OD	Connector	Hole	Horz Size	Up ()	Offset
Invert 1	598.42'	270°	202.633"	24" HDPE	27.8"	Hole 32	32"	33.16"	25"	0"
Invert 2	599.55'	351°	263.423"	12" HDPE	14.5"	Hole 16	16"	16.135"	40.56"	0"
Invert 3	598.42'	163°	122.33"	24" HDPE	27.8"	Hole 32	32"	33.16"	25"	0"
Invert 4										
Invert 5										
Invert 6										
Invert 7										
Invert 8										

RIGHT-SIDE UP VIEW (int. dimensions)



INSIDE WALL DIMENSIONS



Coating (Int):
 Coating (Ext):

Seam Up: Tongue
 Seam Dn: Groove

Wall Thickness: 7"
 Floor Height: 0"

Height (Int): 72"
 Height (Ext): 72"

Weight (Net): 9404 lb
 Volume (Net): 2.4cu.yd