

**Job Name: 25-4272 Chestnut Street Utility Rehab**  
**Job Location: Evansville, IN**  
**Contractor: Bowen Engineering Corporation**

PC: A. Chambers  
 TECH: J. Coppage  
 Plant: Beaver Dam



Structure ID: 110  
 Spec: Storm  
 Type: BX 8inW, 8inF  
 Size: 24" x 36"

Rim: 379.27'  
 Invert: 375.24'  
 Rim to Invert: 4.03'

Sump: 2"  
 Floor (Top): 375.073'  
 Floor Height: 8"

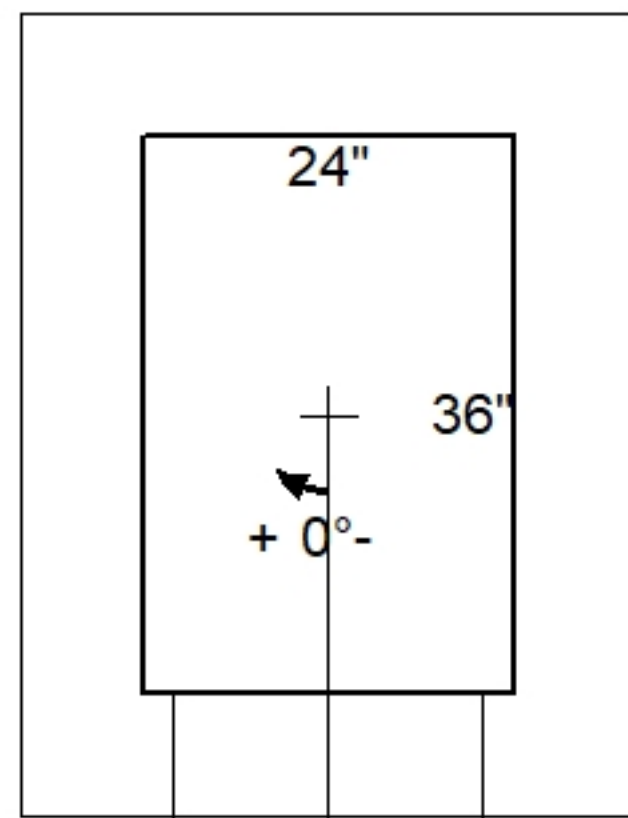
Floor (Bot): 374.407'  
 Overall Height: 4.583'  
 Slack: 3.36"

**Structure Notes:**

- JR HOE HOE-525-LV PROVIDED BY ICAST.
- PER ASTM C913 SPECIFICATIONS.
- CONCRETE = 4,000 PSI AT 28 DAYS.
- REINFORCING PER ASTM A615 (GRADE 60).  
 - WALLS (As .12) #5 BARS AT 12" C.C.E.W.  
 - FLOOR (As .12) #5 BARS AT 12" C.C.E.W.

**STRUCTURE SUMMARY:**

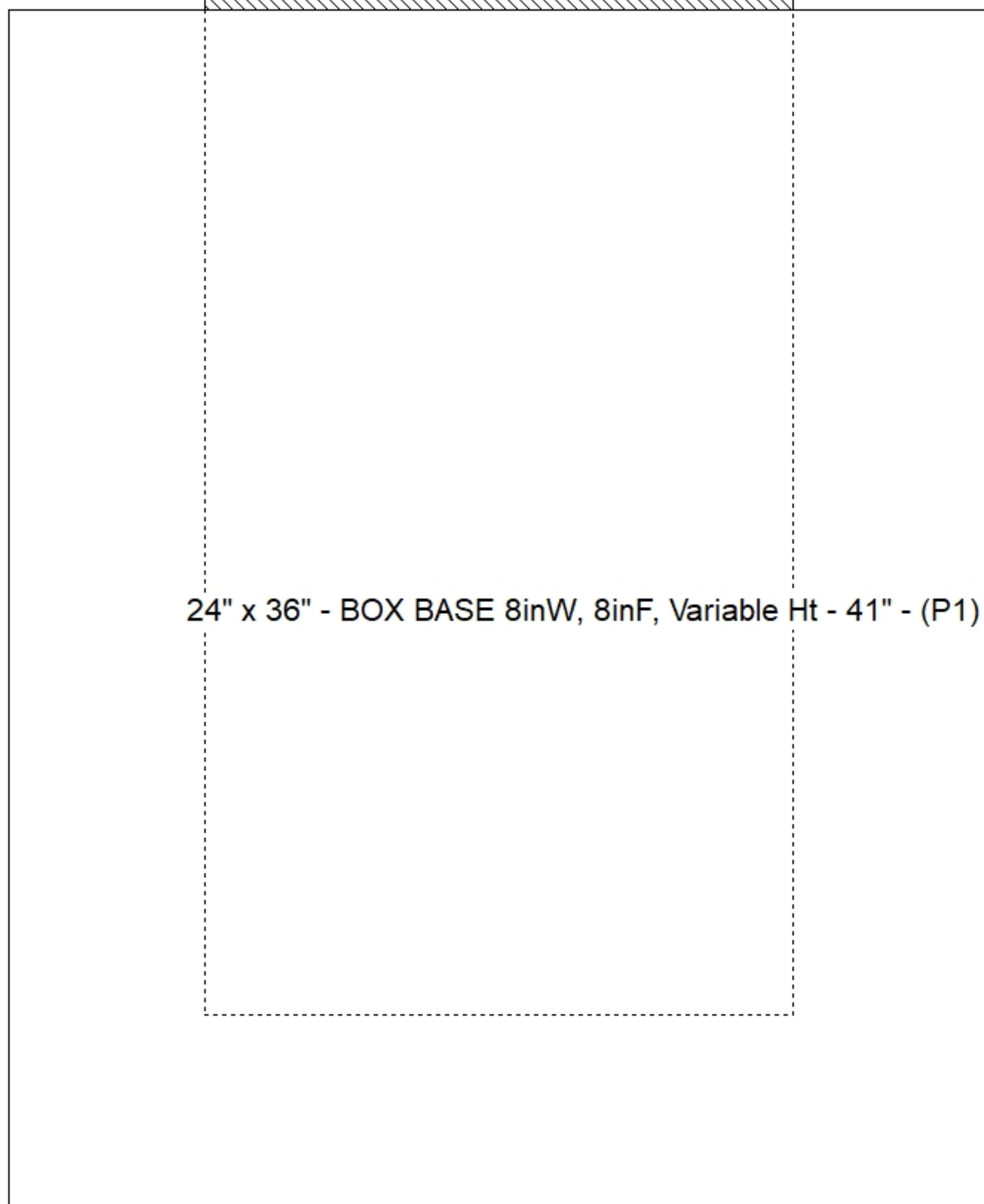
|  |                |
|--|----------------|
| P2) 24" x 36" - CASTING HEIGHT - 6"                    | 0 lb           |
| P1) 24" x 36" - BOX BASE 8inW, 8inF, Variable Ht - 41" | 5369 lb        |
| 1) CASTING - HOE 525 LV SET (F/G/H)                    | 442 lb         |
| 1) 24" x 36" - SGL 1"x14.5' Butyl                      | 0 lb           |
| 1) Hole - 20   | 0 lb           |
| <b>Structure Total:</b>                                | <b>5811 lb</b> |



Invert: 1  
 Degree: 0°

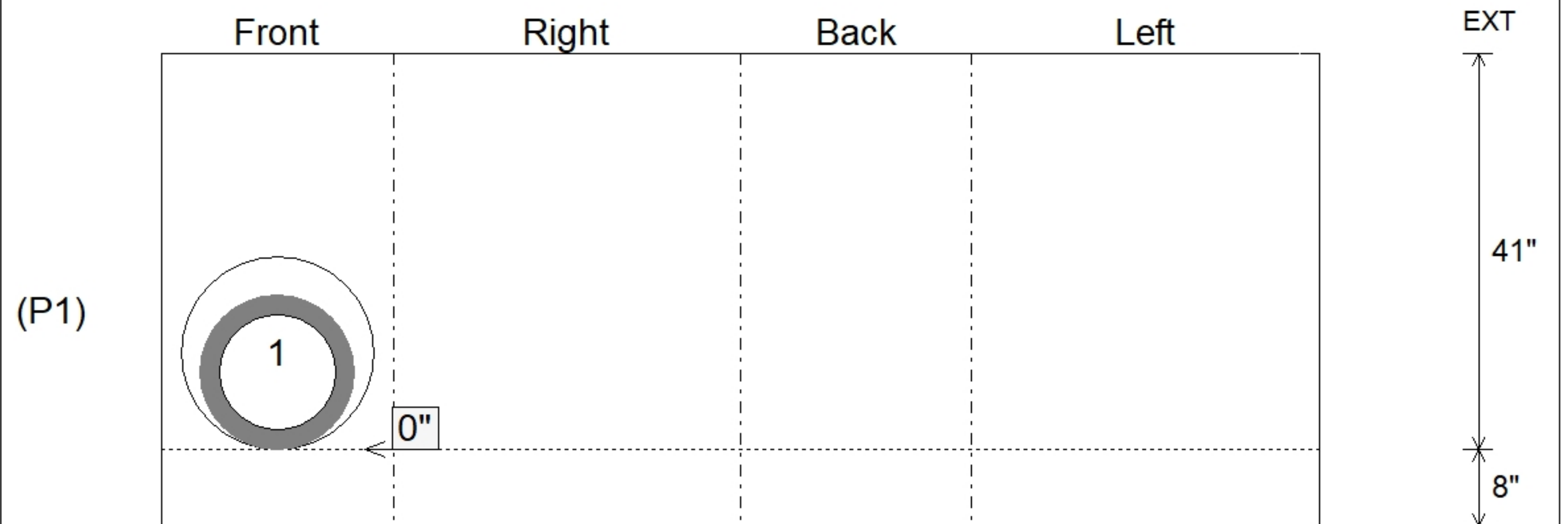
| Position | Elev    | Angle | Pipe           | Pipe OD | Hole | Connector | Up ( ) | Ref |
|----------|---------|-------|----------------|---------|------|-----------|--------|-----|
| Rim      | 379.27' |       |                |         |      |           |        |     |
| Reducer  |         |       |                |         |      |           |        |     |
| Invert 1 | 375.24' | 0°    | 12" RCP B WALL | 16"     | 20"  | Hole 20   | 0"     | P1  |
| Invert 2 |         |       |                |         |      |           |        |     |
| Invert 3 |         |       |                |         |      |           |        |     |
| Invert 4 |         |       |                |         |      |           |        |     |
| Invert 5 |         |       |                |         |      |           |        |     |
| Invert 6 |         |       |                |         |      |           |        |     |
| Invert 7 |         |       |                |         |      |           |        |     |
| Invert 8 |         |       |                |         |      |           |        |     |

24" x 36" - CASTING HEIGHT - 6" - (P2)



24" x 36" - BOX BASE 8inW, 8inF, Variable Ht - 41" - (P1)

**Default - Interior Dimensions**



Submittal Drawing  
 10/27/2025 7:34:02 AM

SUBMITTAL  
 APPROVED BY: