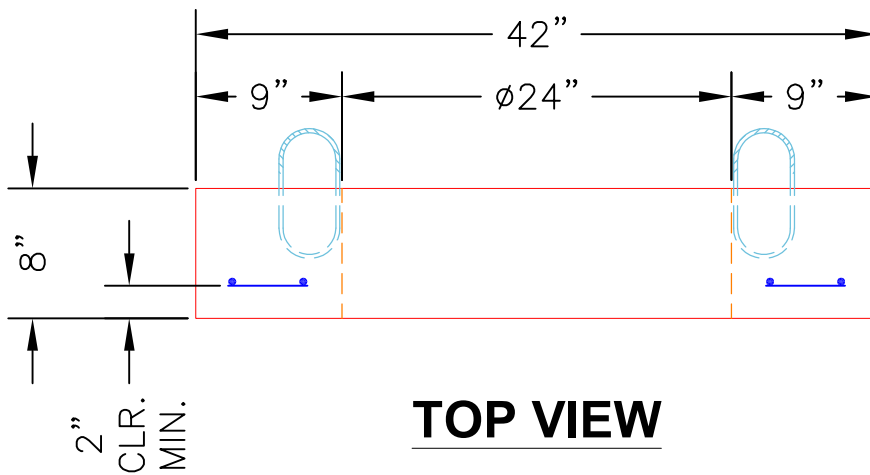
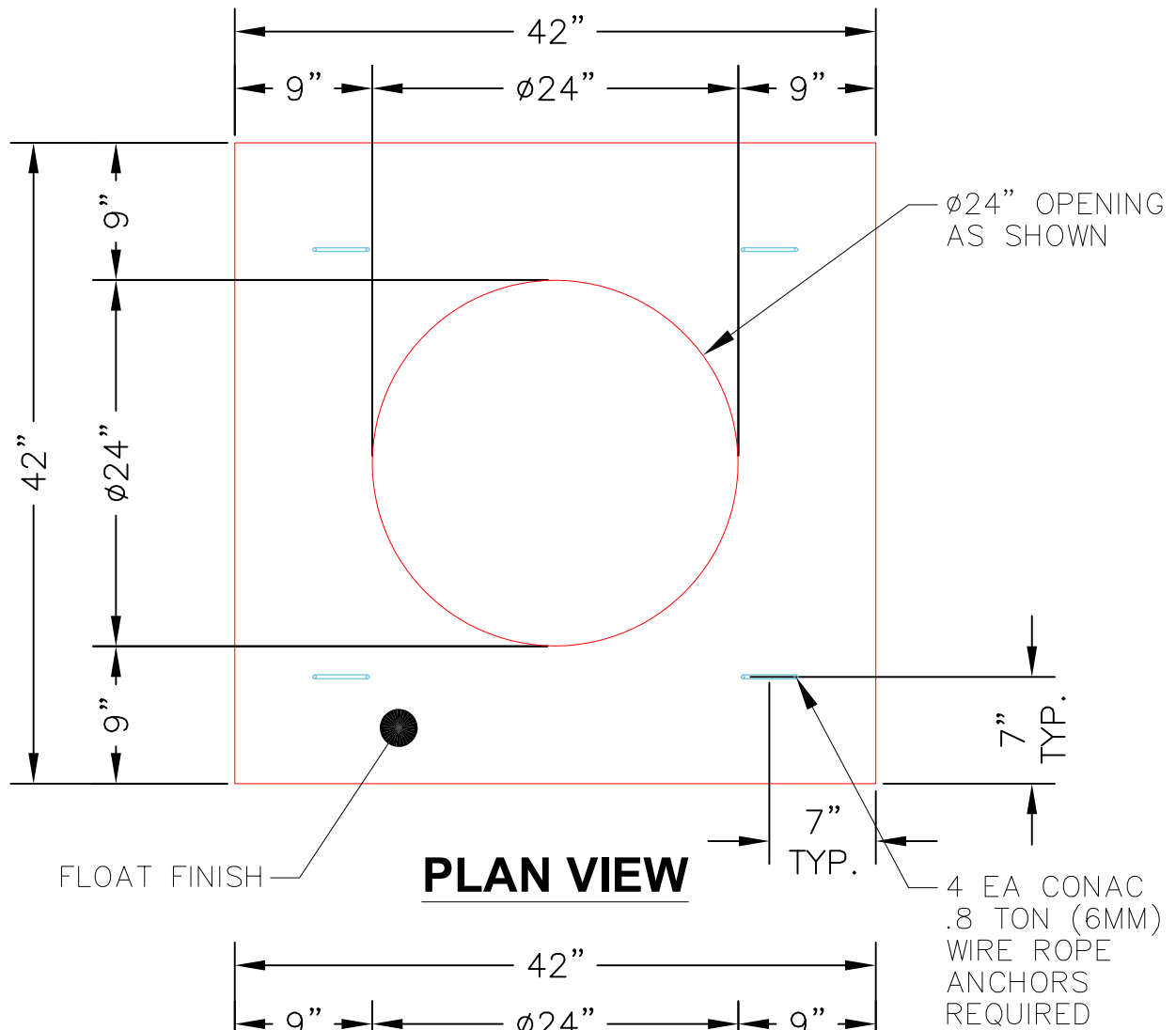



THIS DRAWING IS INTENDED TO BE PRINTED IN COLOR.



NOTES:

1. MANUFACTURED TO ASTM C-913 (LATEST REVISION).
2. CONCRETE: 5,000 PSI AT 28 DAYS.
3. REINFORCING: #5 BAR @ 6" O.C. E.W. (GRADE 60).

PRODUCTION WORK ORDER		PRODUCT I.D.: BX030030-08LD06-24C	DESCRIPTION: 42" X 42" X 8" THK TOP SLAB W/ Ø24" OPENING	
	QUALITY CONTROL CHECKLIST	PRODUCT VIEW: RIGHT SIDE UP	CUSTOMER: BOWEN ENGINEERING CORPORATION	
	<input type="checkbox"/> ALL DIMENSIONS CORRECT.	PLANT: BEAVER DAM, KY.	PROJECT: CHESTNUT STREET UTILITY REHAB	
	<input type="checkbox"/> LIFTERS INSTALLED.	WEIGHT: 880 LBS.	STRUCTURE: 109	
	<input type="checkbox"/> HOLE LOCATION CORRECT.	TOP SECTION JOINT: N/A	QUOTE/SALES ORDER NO: 25-4272	
	<input type="checkbox"/> REINFORCING CORRECT.	BASE SECTION JOINT: FLAT	PC: A. CHAMBERS	DRAWING: J. COPPAGE
<input type="checkbox"/> FINISH ON SLAB SURFACE UNIFORM.	QC CHECK INITIALS:	DATE: 10/23/25	SCALE: NTS	PG. 1 of 1
<input type="checkbox"/> OUTSIDE TOP EDGE TROWELLED.				
<input type="checkbox"/> GROOVE JOINT INSTALLED.				